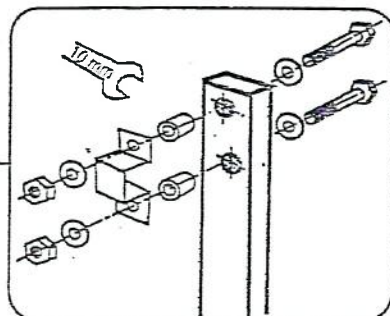
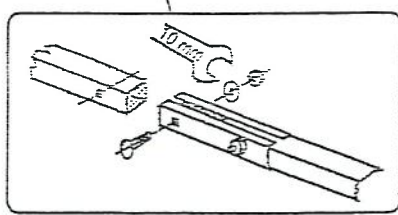
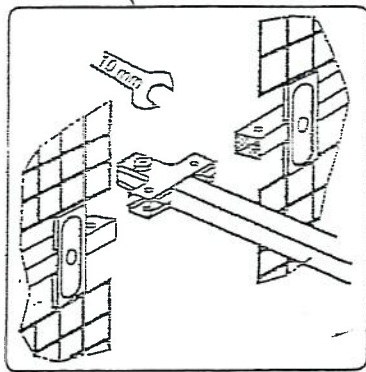
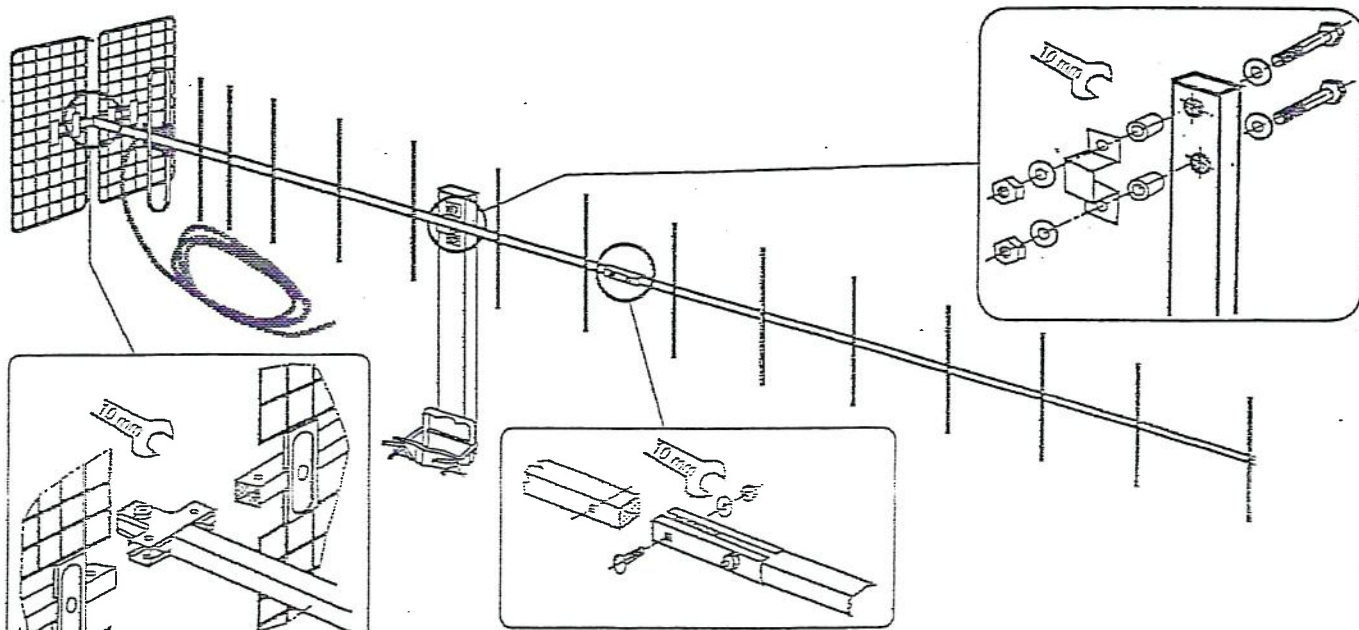
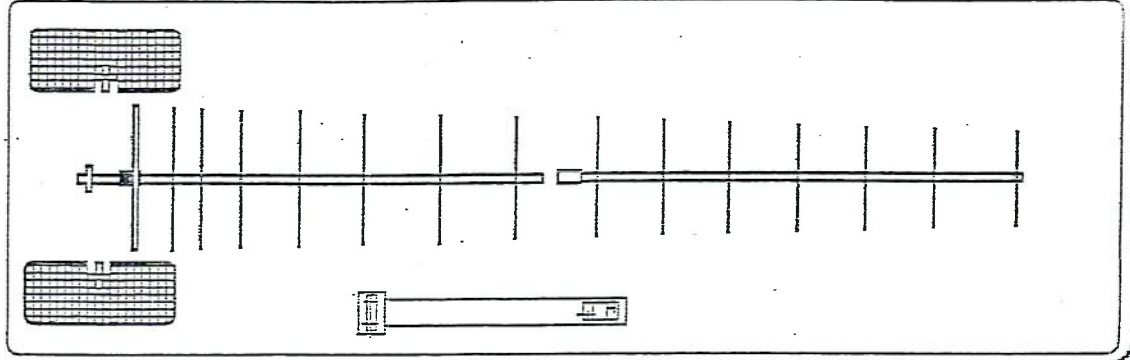
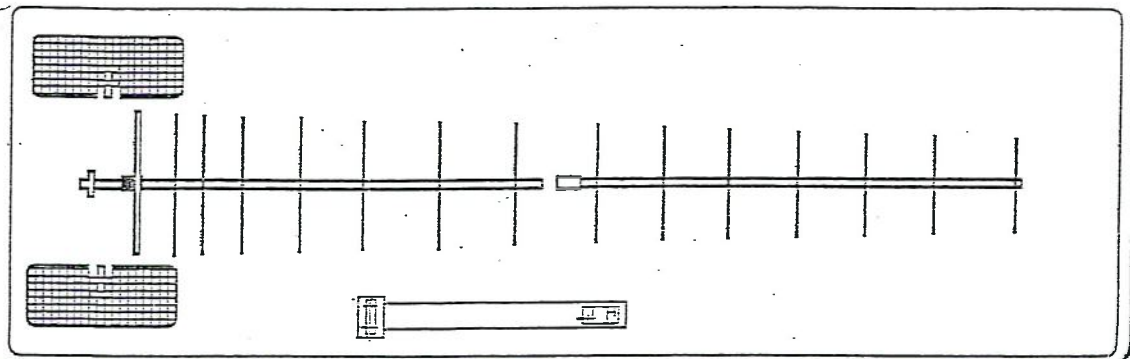


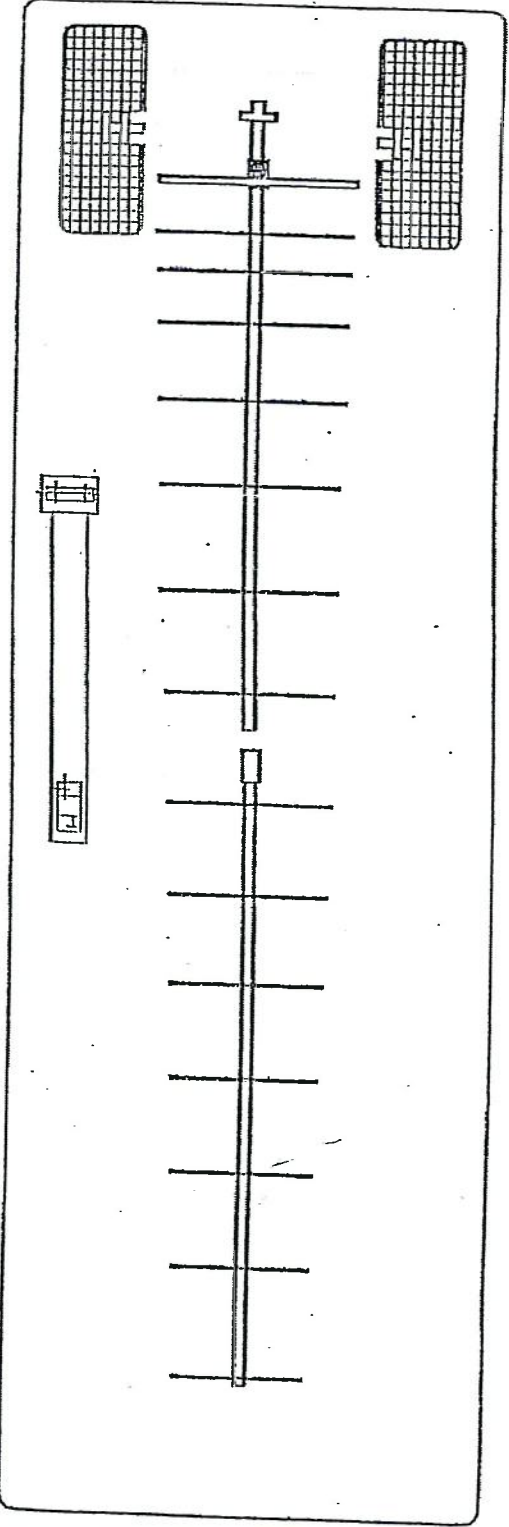
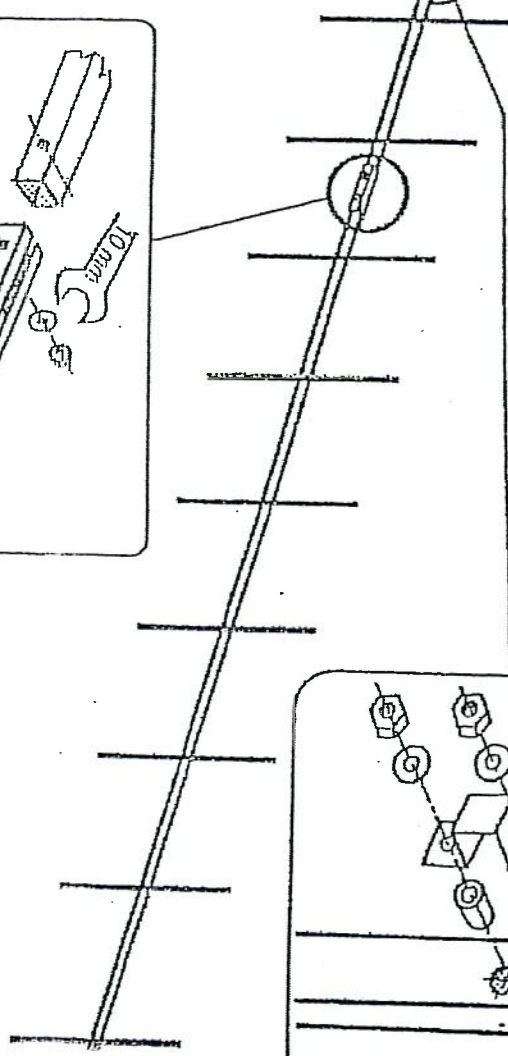
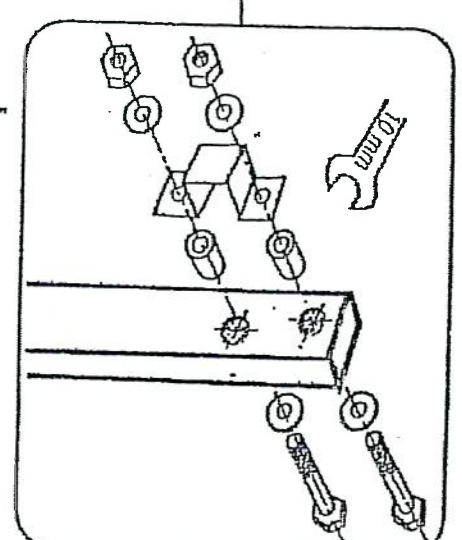
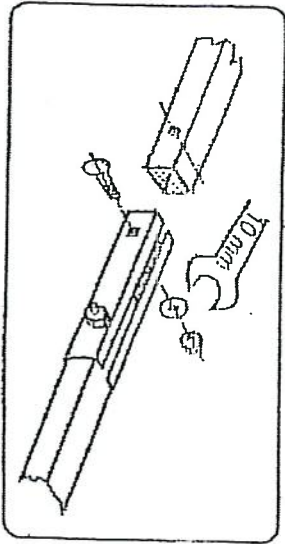
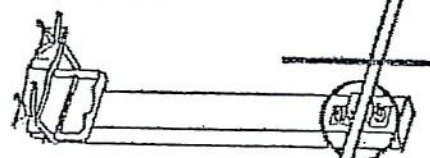
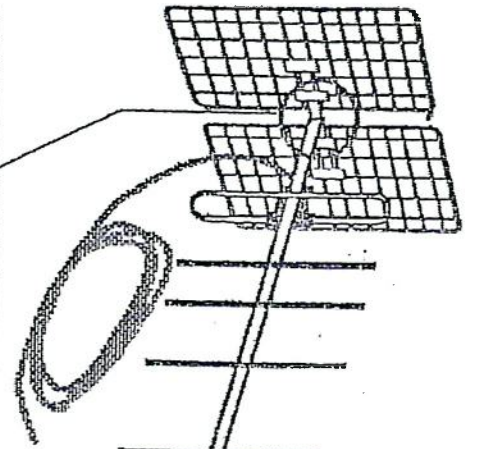
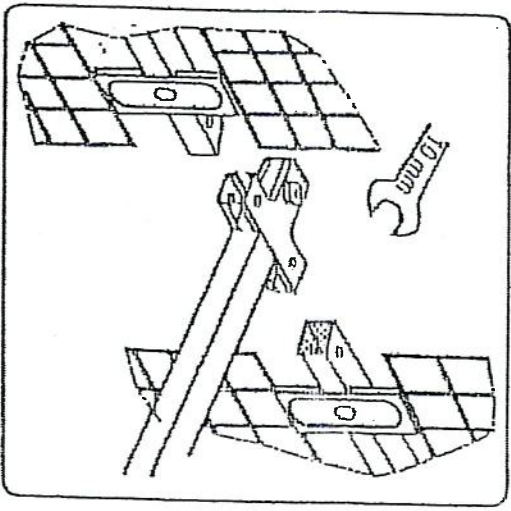
ACY 16 YAGI ANTENNA
360 - 480 MHz



ACY 16 YAGI ANTENNA
360 - 480 MHz



ACY 16 YAGI ANTENNA
360 - 480 MHz

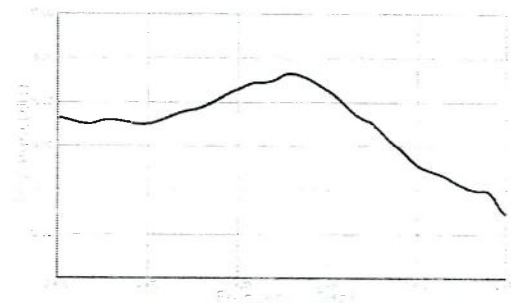


ACY16NE20

TECHNICAL PARAMETERS

ELECTRICAL PARAMETERS

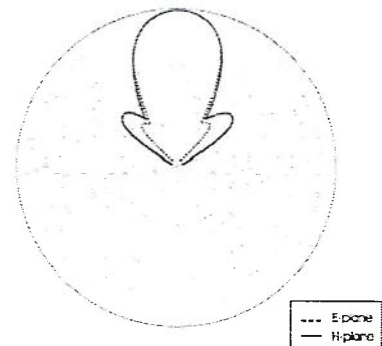
Type	Yagi
Category	Tetra, PMR
Frequency range	415 - 480 MHz
Gain	15,5 dBi @ 425 MHz dBi
VSWR	<2:1
Impedance	50 Ω
Polarisation	V or H
Connector	N female
Maximum input power	15 W
Front-back ratio	>20 dB



Typical antenna gain

MECHANICAL PARAMETERS

Beamwidth	50°
Support boom material	Aluminium alloy
Support boom size	20 x 20 mm
Element material	Aluminium alloy
Reflector	Aluminium sheet
Clamp	Galvanized steel
Antenna size	2350x420x420 mm
Antenna weight	>1750 g
Maximum wind speed	25 m/s
Ambient temperature	- 40 °C - +70 °C



Typical radiation pattern

SHIPPING DATA

Packing weight	3900 g
Packing size	1290x360x115 mm

Tested according to standards: IEC68-2-1:Ab/Ad
 IEC68-2-2:Bb/Bd
 IEC68-2-14:Na
 IEC68-2-56:Cb
 IEC68-2-11:Ka