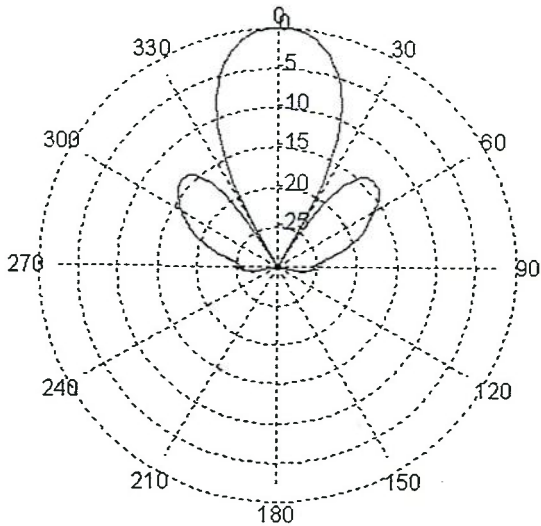


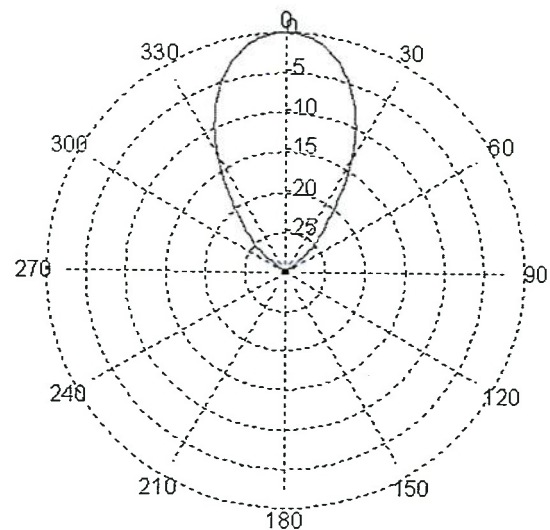
## CA27/24 - Cavity Antenna, 270 mm, 14 dBi



type	directional antenna
polarization	linear
frequency	2400-2485 MHz
impedance	50Ω
VSWR	<1.5:1
gain	14 dBi
HPBW	H-plane 22° E-plane 30°
connector	SMA female
power handling	20 W
mount	wall or 35-50 mm mast mount with elevation tilt function included
size	Ø 270 mm D 75 mm
weight	640 g
material	reflector - aluminum mounting hardware - stainless radome - ABS
color	gray / white
other	DC grounded



H-field radiation pattern, ie azimuth for vertically polarized antenna.



E-field radiation pattern, ie elevation for vertically polarized antenna.

### CA27/24 Cavity Antenna Data Sheet