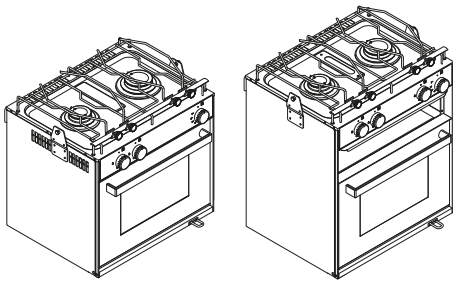


↔ DOMETIC

HOT & COOKING CU300

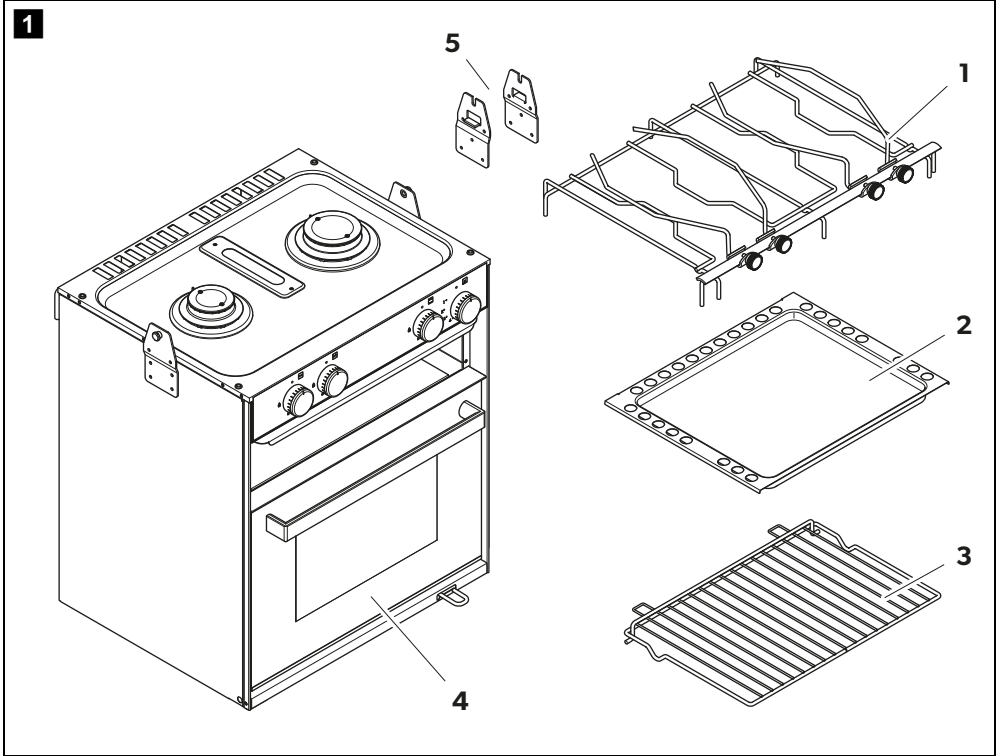


CU351MK, CU354MK

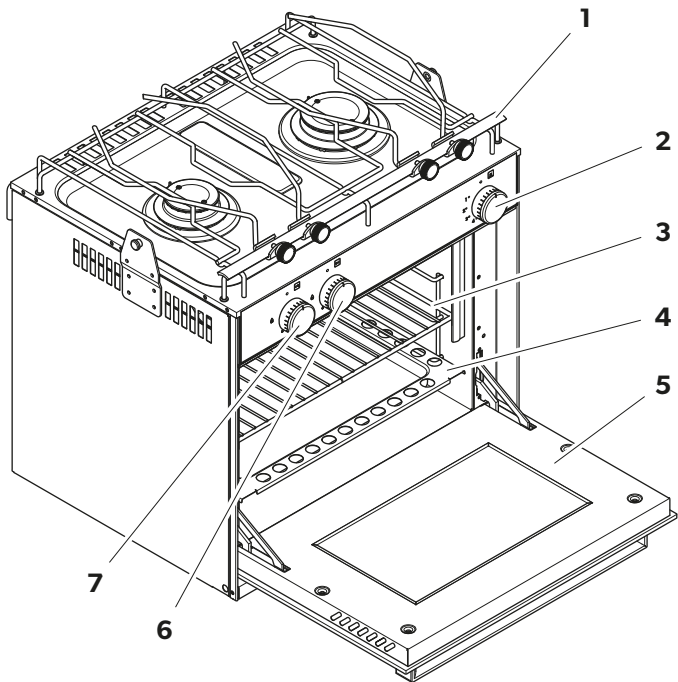
EN	Cooktop and gas oven Installation and Operating Manual	19
DE	Kochfeld und Gasofen Montage- und Bedienungsanleitung	29
FR	Plaque de cuisson et four à gaz Instructions de montage et de service	41
ES	Placa de cocina con horno de gas Instrucciones de montaje y de uso	53
PT	Conjunto de placa e forno a gás Instruções de montagem e manual de instruções	65
IT	Cucina con forno a gas Istruzioni di montaggio e d'uso	76
NL	Fornuis met gasoven Montagehandleiding en gebruiksaanwijzing	87
DA	Gaskomfur Monterings- og betjeningsvejledning	98
SV	Spishäll och gasugn Monterings- och bruksanvisning	107

NO	Koketopp og gassovn Monterings- og bruksanvisning	116
FI	Liesi-kaasu-uuni-yhdistelmä Asennus- ja käyttöohje	126
PL	Kuchenka z piekarnikiem gazowym Instrukcja montażu i obsługi	136
SK	Varič a plynová rúra Návod na montáž a uvedenie do prevádzky	147
CS	Varná deska a plynová trouba Návod k montáži a obsluze	157
HU	Főzőlap és gázsütő Szerelési és használati útmutató	167
HR	Štednjak i plinska pećnica Upute za montažu i uporabu	177
TR	Ocak ve gazlı fırın Montaj ve Kullanım Kılavuzu	187
SL	Kuhališče in plinska pečica Navodilo za montažo in uporabo	197
RO	Plită și cuptor cu gaz Instrucțiunile de montaj și operare	207
BG	Газова печка с котлони Инструкция за монтаж и експлоатация	218
ET	Pliit ja gaasiah Paigaldus- ja kasutusjuhend	229
EL	Εστία και φούρνος αερίου Οδηγίες τοποθέτησης και χειρισμού	239
LT	Viryklė ir dujinė orkaitė Montavimo ir naudojimo vadovas	253
LV	Plīts virsma un gāzes cepeškrāns Uzstādīšanas un lietošanas rokasgrāmata	263

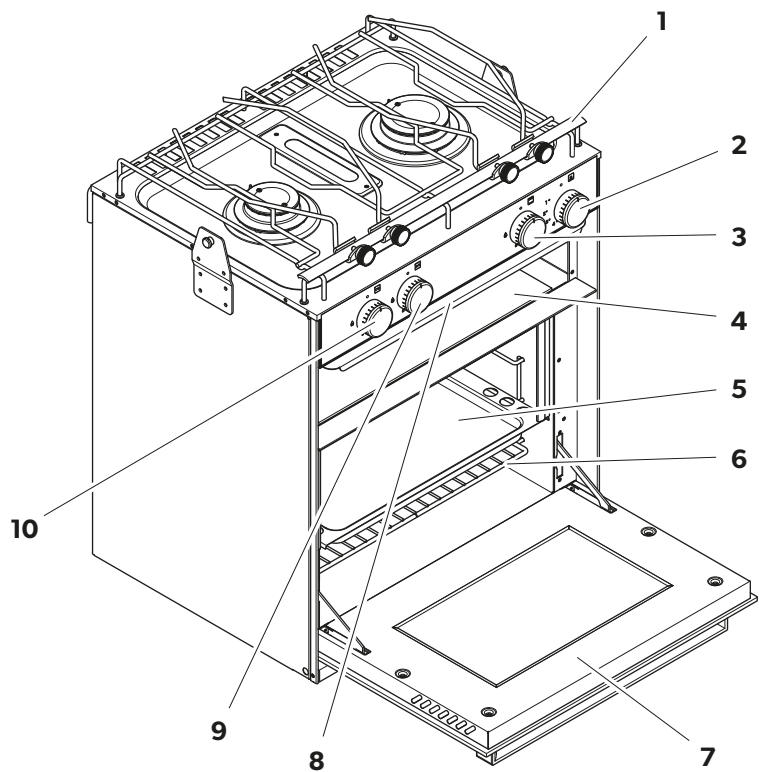
© 2023 Dometic Group. The visual appearance of the contents of this manual is protected by copyright and design law. The underlying technical design and the products contained herein may be protected by design, patent or be patent pending. The trademarks mentioned in this manual belong to Dometic Sweden AB. All rights are reserved.



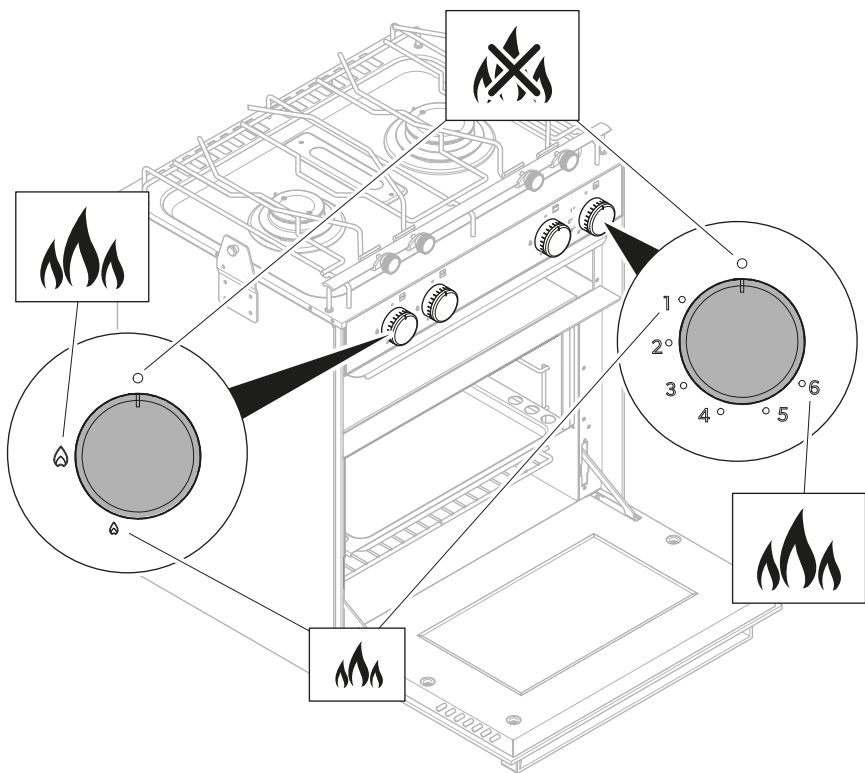
2



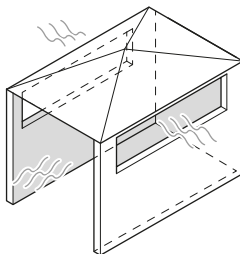
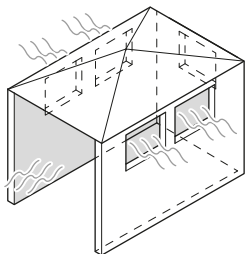
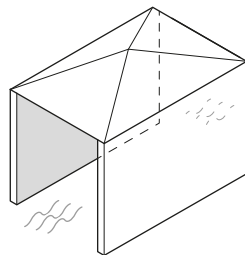
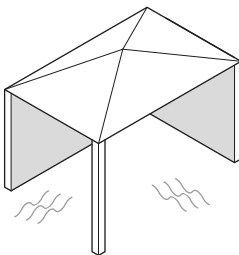
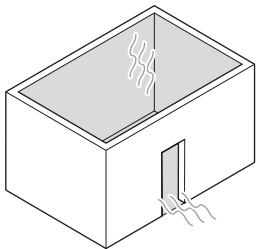
3



4



5





DE, AT, CH, LU

I₃B/P – 50 mbar

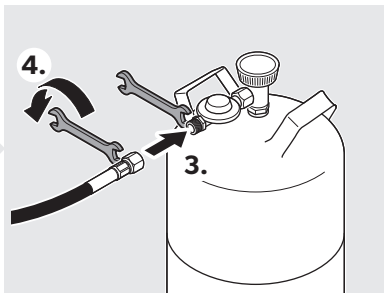
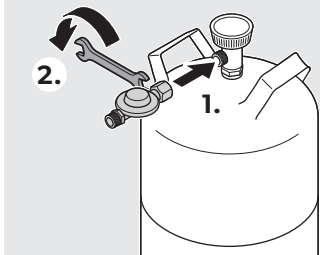
DK, FI, HU, NO, PL, SE

I₃B/P – 30 mbar

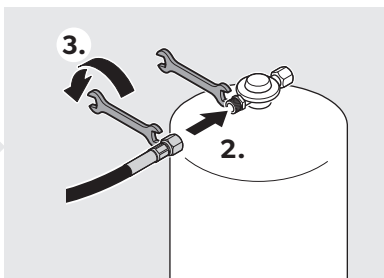
BE, CZ, ES, FR, GB, IT, NL, PT, RU, SK

I₃ ± 28 - 30/37 mbar

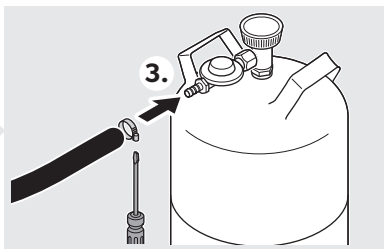
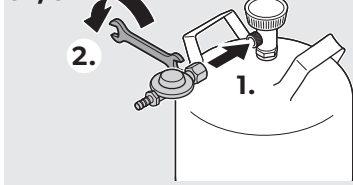
DE, AT, CH, PL, RU



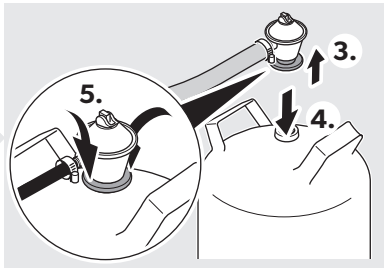
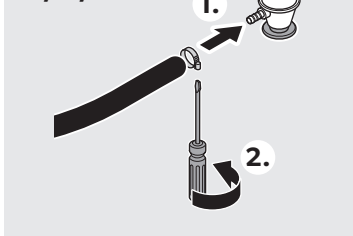
DE, AT, CH, LU, DK, ES, FR, IE, IT, RU, SE



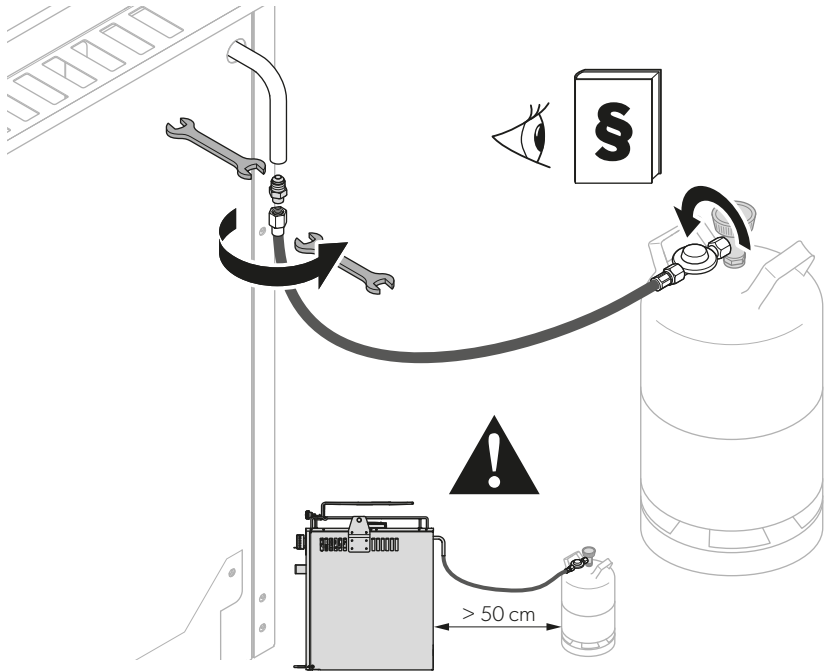
CZ, ES, FR, GB, IT, NL, PT, SE, SK



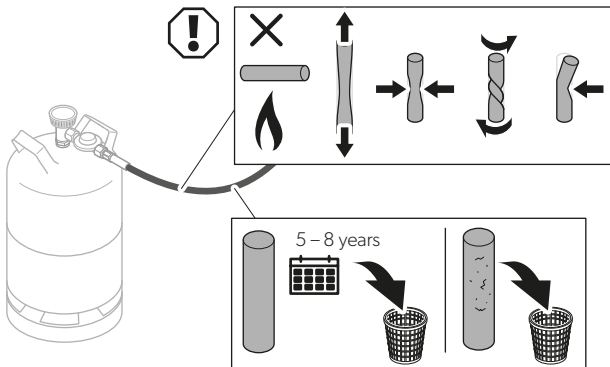
DK, FI, NO

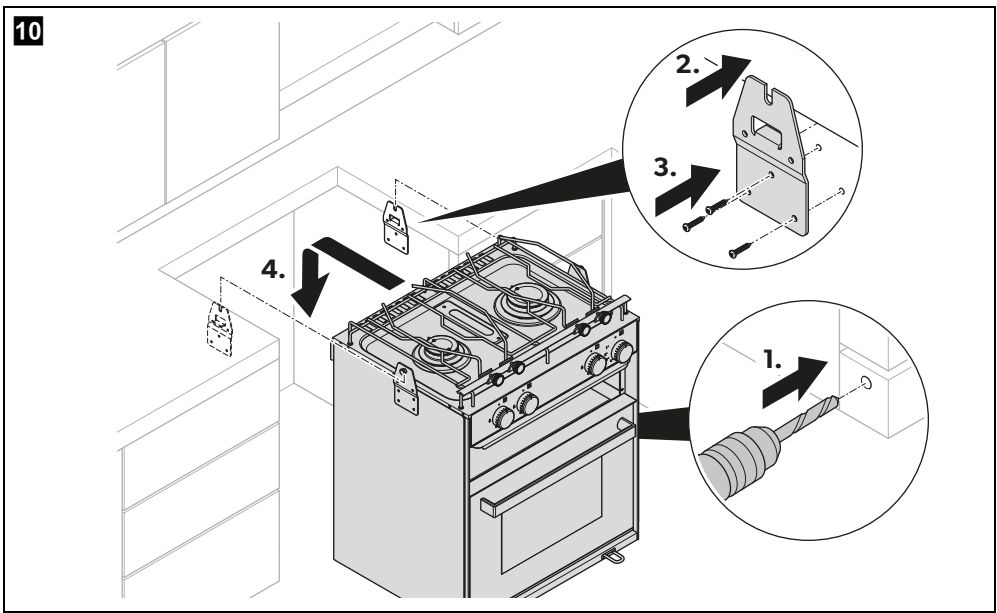
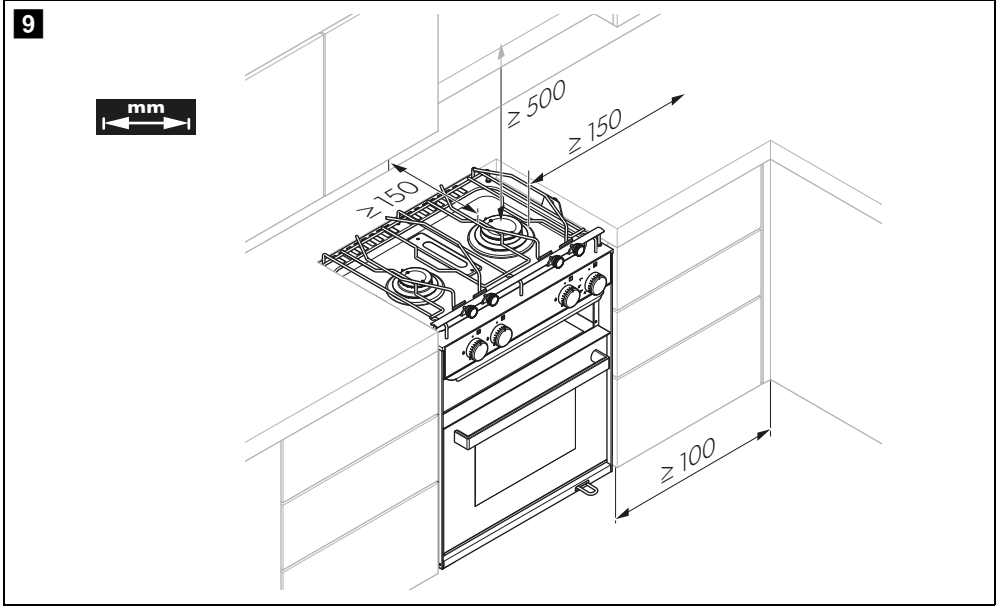


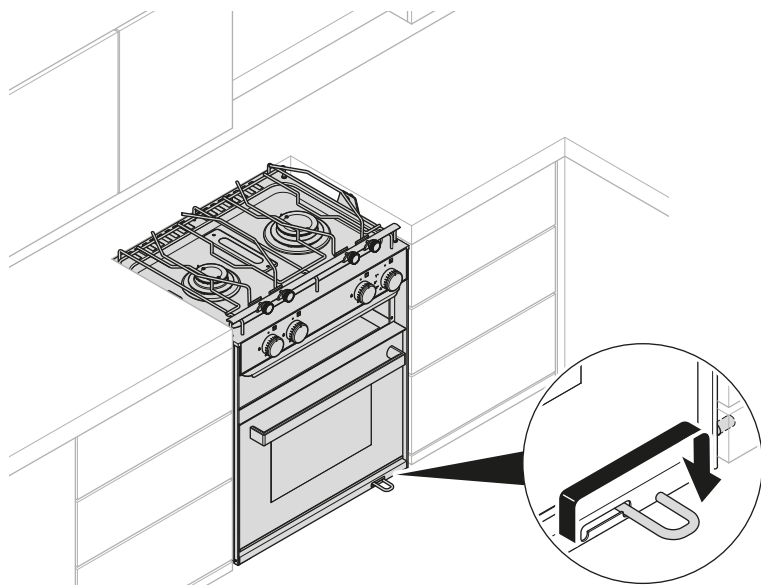
7

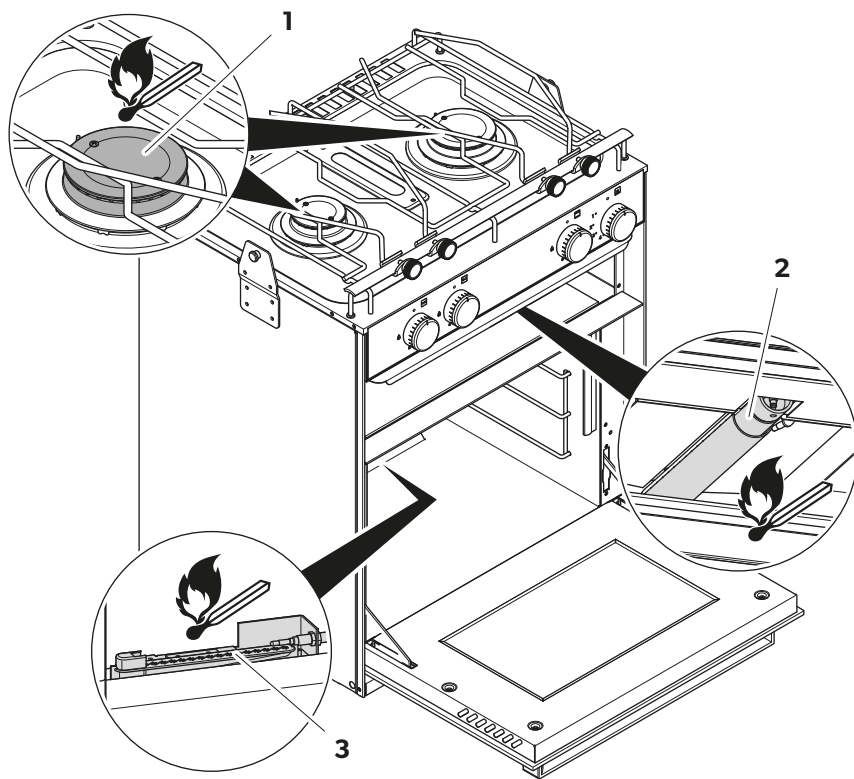


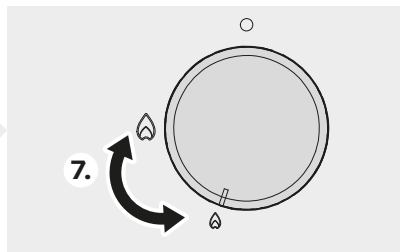
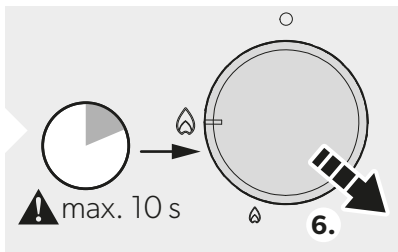
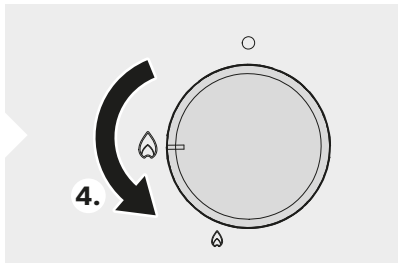
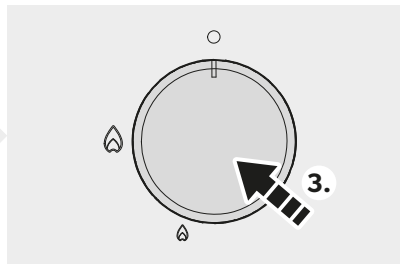
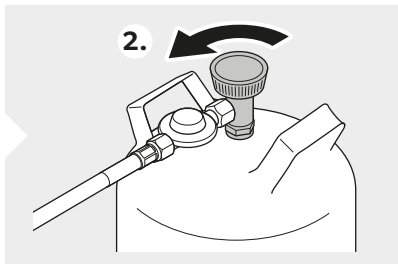
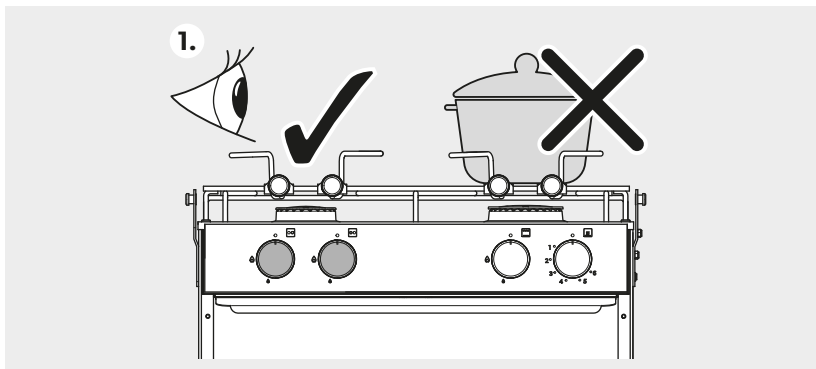
8

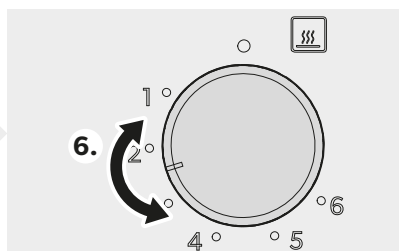
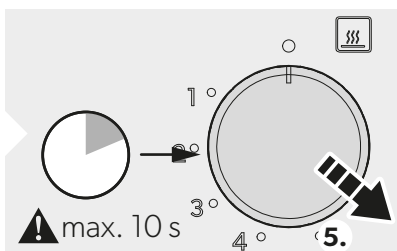
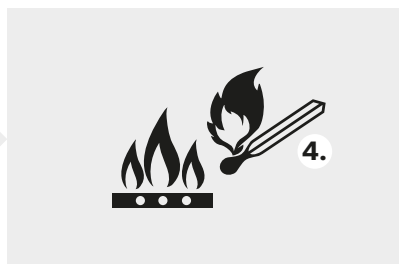
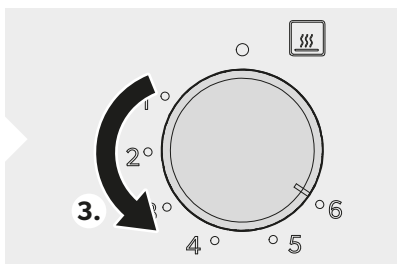
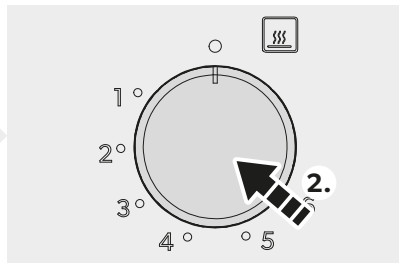
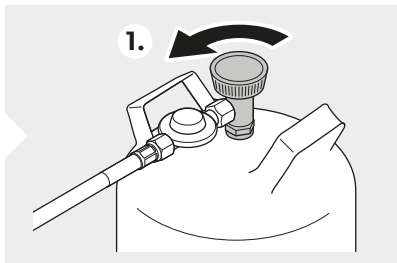


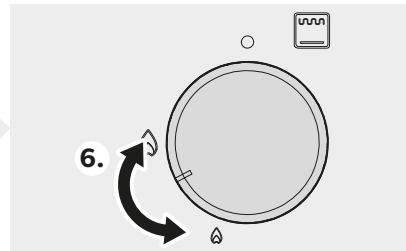
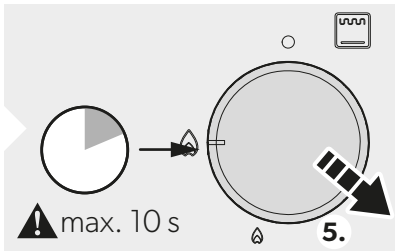
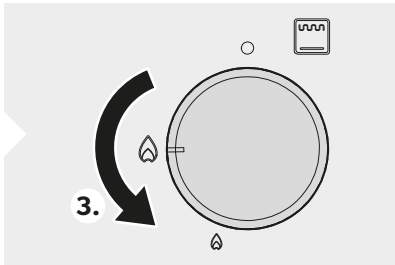
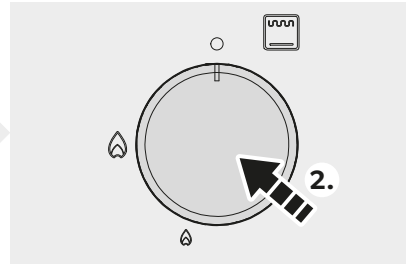
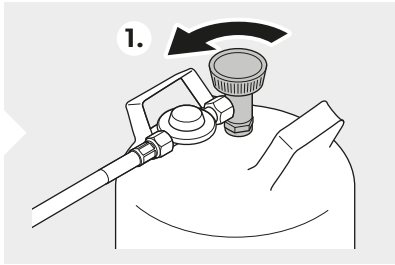




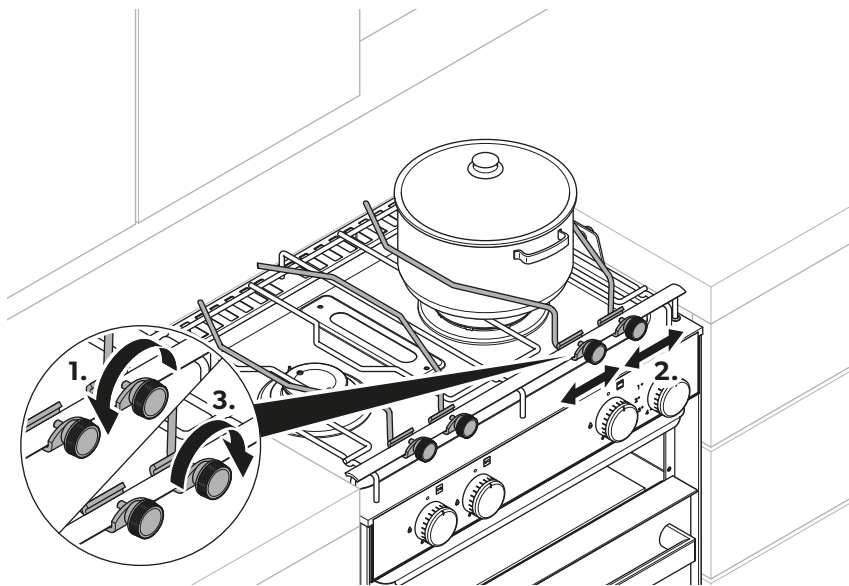




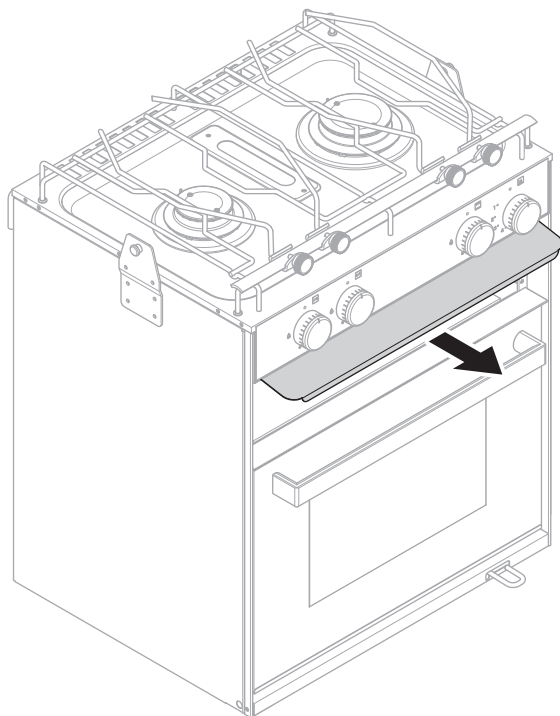


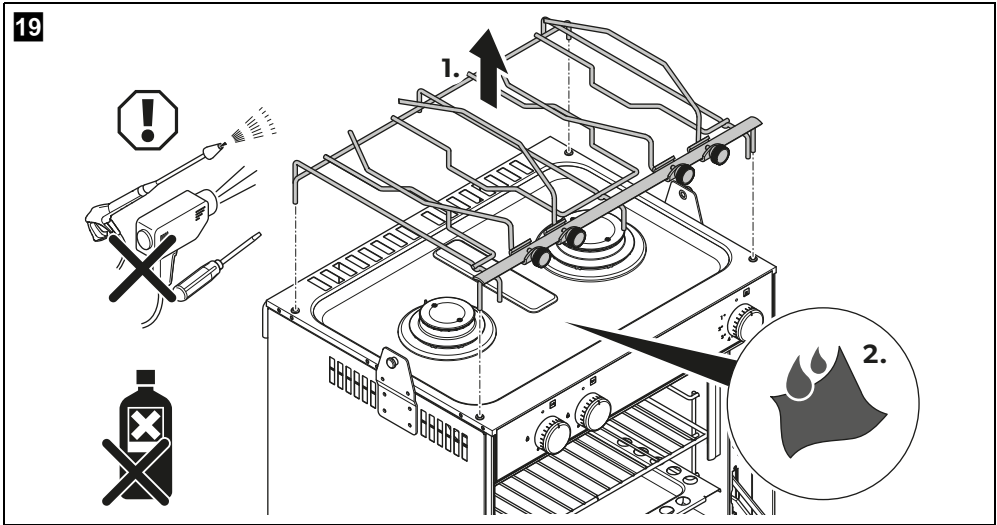
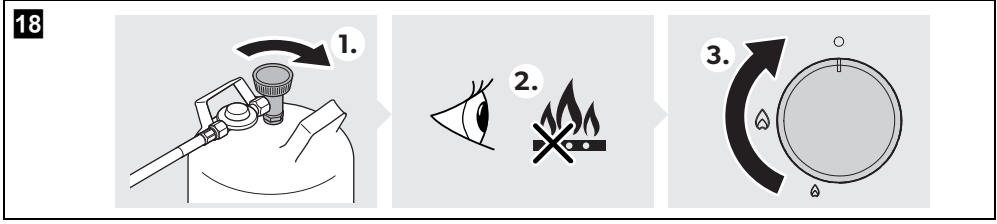


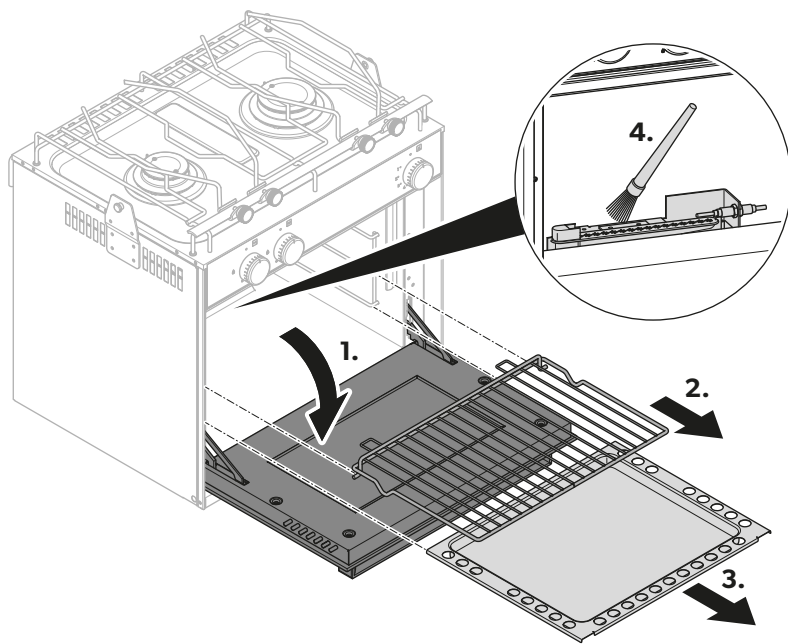
16



17







Please read these instructions carefully and follow all instructions, guidelines, and warnings included in this product manual in order to ensure that you install, use, and maintain the product properly at all times. These instructions **MUST** stay with this product.

By using the product, you hereby confirm that you have read all instructions, guidelines, and warnings carefully and that you understand and agree to abide by the terms and conditions as set forth herein. You agree to use this product only for the intended purpose and application and in accordance with the instructions, guidelines, and warnings as set forth in this product manual as well as in accordance with all applicable laws and regulations. A failure to read and follow the instructions and warnings set forth herein may result in an injury to yourself and others, damage to your product or damage to other property in the vicinity. This product manual, including the instructions, guidelines, and warnings, and related documentation, may be subject to changes and updates. For up-to-date product information, please visit documents.domestic.com.

Contents

Explanation of symbols	19
Safety instructions	19
Scope of delivery	21
Target groups	22
Intended use	22
Technical description	22
Installation	23
Operation	24
Saving energy	25
Cleaning and maintenance	25
Storage	26
Troubleshooting	26
Warranty	27
Disposal	27
Technical data	27

Explanation of symbols



WARNING!

Safety instruction: Indicates a hazardous situation that, if not avoided, could result in death or serious injury.



CAUTION!

Safety instruction: Indicates a hazardous situation that, if not avoided, could result in minor or moderate injury.



NOTICE!

Indicates a situation that, if not avoided, can result in property damage.



NOTE

Supplementary information for operating the product.

Safety instructions

Preliminary notes

- Prior to installation, ensure that the local distribution conditions (nature of the gas and gas pressure) and the adjustment of the device are compatible.
- The adjustment conditions for this device are stated on the label (or data plate).
- This device is not connected to a combustion products evacuation the device. It shall be installed and connected with current installation regulations. Particular attention shall be given to the relevant requirements regarding ventilation.

General safety



WARNING! Failure to obey these warnings could result in death or serious injury.

Explosion hazard

- This device may only be repaired by qualified personnel. Inadequate repairs may cause serious hazards.
- This device must be installed in accordance with any national regulations in force in the country of use.
- This device must only be used in a well ventilated space.
- Read the instructions before installing or using this device.
- Do not modify the device.
- Do not remove or replace any components of this device.
- The gas hose has to be changed if required by the national regulations.
- Do not twist, stretch, pinch, or apply any other load to the gas supply hose.

Fire hazard

- Do not leave this device unattended when hot or in use.

- Children must be supervised to ensure that they do not play with the device.
- Keep a suitable fire extinguisher ready. Ensure that the fire extinguisher is checked by skilled personnel in regular intervals.

Burn hazard

- Keep hands, face and hair away from burners.
- Do not wear loose clothing or allow long hair to hang freely while lighting or using this device.
- Keep children and pets away.
- Carefully monitor all activity around this device to avoid burns or other injuries.
- Do not move the device during operation.

Health hazard

- This device can be used by children aged from 8 years and above and persons with reduced physical, sensory or mental capabilities or lack of experience and knowledge if they have been given supervision or instruction concerning use of the device in a safe way and understand the hazards involved.
- Children must be supervised to ensure that they do not play with the device.



CAUTION! Failure to obey these cautions could result in minor or moderate injury.

Injury hazard

- If the device has a glass lid, in case of glass lid breakage:
 - Shut off immediately all burners and any electrical heating element and isolate the device from the power supply.
 - Do not touch the device surface.
 - Do not use the device.



NOTICE! Damage hazard

- If the device has a glass lid:
 - Close the glass lid before beginning a journey.
 - Turn off all the burners before closing the glass lid.

Safety precautions when handling

liquid gas



WARNING! Failure to obey these warnings could result in death or serious injury.

Explosion hazard

- After use always disconnect the liquid gas cylinder.
- Store liquid gas cylinders away from heating or cooking devices and other light or heat sources in a well-ventilated area out of the reach of children.
- **Never** store liquid gas cylinders in unventilated areas or below ground level (funnel-shaped holes in the ground).
- **Never** store liquid gas cylinders in buildings such as garages.
- Any indoor storage must comply with national regulations.
- Do not store liquid gas cylinders on their side.
- Keep liquid gas cylinders away from direct sunlight. The temperature should not exceed 50 °C.

Operating the device safely



DANGER! Failure to obey these instructions will cause death or serious injury.

Hazard of carbon monoxide poisoning

- The process of burning liquid gas produces carbon monoxide which accumulates inside enclosed areas. Only use this device with sufficient ventilation.

Suffocation hazard

- Operating this device in an unventilated area will reduce the amount of oxygen in this area.
- Do not use the device as a space heater.
- The use of a gas cooking appliance results in the production of heat, moisture and products of combustion in the room in which it is installed.
 - Ensure that the kitchen is well ventilated especially when the device is in use.
 - Keep natural ventilation holes open or install a mechanical ventilation device (e.g. a mechanical extractor hood).

- Prolonged intensive use of the device may call for additional ventilation, for example opening of a window, or more effective ventilation, for example increasing the level of mechanical ventilation where present.



WARNING! Failure to obey these warnings could result in death or serious injury.

Explosion hazard

- Do not use this device if it is leaking, damaged or does not operate properly.
- Never use the device in the following situations:
 - At petrol stations
 - On ferry boats
 - While transporting the caravan or mobile home with a transport vehicle or tow truck
- In case of fire shut off the gas supply.
- Do not place chemicals, flammable materials or spray aerosols near this device.
- Never use a naked flame to check for gas leaks.
- In case of gas smell:
 - Do not attempt to light this device.
 - Extinguish any naked flames.
 - Turn off the gas supply.
 - Disconnect the device from the gas supply.
 - When using the device indoors, open the windows and evacuate the vehicle.
 - Have the gas system checked by a specialist.
- Only attach or detach the gas container outdoors away from a naked flame, pilot light or other source of ignition and only when this device is cool to touch.
- Before using the gas container, check that the seal between this device and the gas container is in place and in good condition.
- If the seal is damaged or worn, do not use this device.
- Turn off the gas supply at the gas container after use.

Fire hazard

- This device must be kept away from flammable materials during use.
- Do not place any objects other than cookware on or against this device.
- Never place this device near flammable materials (paper, dry leaves, textiles).
- Keep flammable objects away from the burner.

- Position cookware handles as follows:
 - Never allow cookware handles to extend beyond the edge of the device.
 - Turn cookware handles inward, but not extending over other burners.
- Do not excessively heat grease or oil.
- Only use dry pot holders to handle hot cookware.
- Turn off the device before removing the cookware.
- Only operate this device when an adult can attend to it.

Burn hazard

- Accessible parts may be very hot. Keep young children away.



CAUTION! Failure to obey these cautions could result in minor or moderate injury.

Burn hazard

- Use protective gloves when handling hot components.
- Let the device to cool down before touching it with bare hands.
- When a burner is ignited manually:
 - Use long matches or a suitable lighter.
 - Remove the hands quickly as soon as the burner ignites.
- The use of alcohol or prescription or non-prescription drugs may impair your ability to properly assemble or safely operate this device.



NOTICE! Damage hazard

- Do not use an external timer or remote control system.

Scope of delivery

No. in fig. 1, page 3	Component	Quantity
1	Cookware support	1
2	Baking sheet	1
3	Oven rack	1
4	Cooktop and gas oven	1
5	Mounting bracket	2

Target groups



The assembly and installation of the gas connection must be performed by a qualified person who has demonstrated skill and knowledge related to the construction, installation and operation of gas appliances and has received safety training to identify and avoid the hazards involved.

Intended use

The cooktop and gas oven is intended for cooking and baking food.

CU351MK only: The cooktop and gas oven is additionally intended for grilling food.

The cooktop and gas oven is intended for boat and marine use only. For use in enclosed spaces the requirements shown in fig. 5, page 7 must be met. In cases with 3 walls 30 % of the total wall area must be open and unrestricted.

The cooktop and gas oven is **not** intended to be used on flying decks, in vehicles or buildings.

This product is only suitable for the intended purpose and application in accordance with these instructions.

This manual provides information that is necessary for proper installation and/or operation of the product. Poor installation and/or improper operating or maintenance will result in unsatisfactory performance and a possible failure.

The manufacturer accepts no liability for any injury or damage to the product resulting from:

- Incorrect assembly or connection, including excess voltage
- Incorrect maintenance or use of spare parts other than original spare parts provided by the manufacturer
- Alterations to the product without express permission from the manufacturer
- Use for purposes other than those described in this manual

Kampa reserves the right to change product appearance and product specifications.

Technical description

The cooktop and gas oven can cook and bake.

CU351MK only: The cooktop and gas oven additionally can grill.

The cooktop and gas oven is attached with mounting brackets and a pin that ensure the device stays in place during wave movements. The device is equipped with a cookware support that ensures that the cookware stands firmly on the cooktop and does not slide during wave movements.

The cooktop and gas oven must be connected to a gas cylinder.

CU354MK

No. in fig. 2, page 4	Component
1	Cookware support
2	Oven temperature knob
3	Oven rack
4	Backing sheet
5	Oven door
6	Right cooktop burner temperature knob
7	Left cooktop burner temperature knob

CU351MK

No. in fig. 3, page 5	Component
1	Cookware support
2	Oven temperature knob
3	Grill temperature knob
4	Grill
5	Backing sheet
6	Oven rack
7	Oven door

**No. in
fig. 3,
page 5** **Component**

8 Right cooktop burner temperature knob

9 Left cooktop burner temperature knob

Temperature knobs

The oven temperature and the flame size of the burners can be regulated (fig. 4, page 6).

Oven temperature ranges

Position	1	2	3
Temperature	130 °C	160 °C	180 °C

Position	4	5	6
Temperature	200 °C	220 °C	240 °C

Installation



WARNING! Explosion hazard

- Before installing the cooktop and gas oven ensure that the gas quality and pressure and the gas supply regulators are compatible with the cooktop and gas oven.

Observe the gas regulation specification for the cooktop and gas oven on the data plate and the specifications in chapter "Technical data" on page 27.

- The cooktop and gas oven is not connected to a fume hood. Install the cooktop and gas oven in accordance with the applicable installation regulations.

Choosing an installation location

When selecting the location for setting up the cooktop and gas oven, observe the following instructions:

- Position the cooktop and gas oven outdoors or in an enclosed space that meets the requirements as shown in fig. 5, page 7.
- The place must be well ventilated.

- Do not place the cooktop and gas oven in a dip to prevent any gases from accumulating there.
- Keep the cooktop and gas oven protected from wind and direct drafts.
- The ground must be firm, level and stable.
- The housing and the grill cabinet get very hot during operation. The cooktop and gas oven must stand on a base that can withstand heat of at least 80 °C.

Connecting to the gas cylinder

The cooktop and gas oven is operated with commercial gas cylinders available in the country where it is used (fig. 6, page 8).

The gas cylinder must meet the following conditions:

- The gas cylinder must always be placed in the compartment provided for it.
- The gas cylinder must always be placed vertically.
- The gas cylinder must be provided with a pressure regulator that is easily accessible and not covered.

The gas supply connected to the device must be a rigid metal pipe with sealed connections. If a flexible hose is used, the following conditions must be met:

- The hose must be easily accessible for inspection purposes.
- The hose must be protected from contact with other parts that heat up.
- The hose must be protected against damage.
- The hose must be protected from being pinched by moving parts such as drawers.
- The hose must not be longer than 1.5 m.
- The hose must be replaced before its expiration date.

1. Connect the pipe or hose of the gas cylinder to the cooktop and gas oven (fig. 7 to fig. 8, page 9).

The hose must be tightened using a suitable spanner such as an adjustable wrench to obtain a gas tight seal.

2. Check the gas hose or pipe for leakage using a foaming agent, e. g. soap.



WARNING! Explosion hazard

Do not use a flame or corrosive liquid to check the gas supply for leaks.

Mounting the cooktop and gas oven

1. Ensure sufficient distance from the walls and other cabinets (see fig. **9**, page 10).
2. Mount the cooktop and gas oven as shown in fig. **10** to fig. **11**, page 11.

Operation



WARNING! Explosion hazard

- Ignite the burners as soon as the gas supply is switched on. Otherwise, gas may accumulate in the burner area and cause an explosion.
- The entire ignition process must be visible from above and must not be obscured by cookware placed on the cooktop.



NOTICE! Damage hazard

CU351MK only: Do not use the grill for more than 25 minutes.



NOTE

- During the operation of the cooktop and gas oven, a slight noise can be heard, which is caused by the gas escaping.
- Smoke can occur when using cooktop and gas oven for the first time. This is caused by deposits of machine oil burning and stops after approx. 10 minutes.
- **CU351MK only:** The grill can not be used as an oven.
- When using propane (G31) the flame is blue without yellow peaks.
- When using butane (G30) the flame is blue with yellow peaks when ignited. The yellow peaks become more intense when the burner is heated.

Igniting the burners

- ▶ Ignite the cooktop as shown in fig. **12** (1) page 12 and fig. **13**, page 13.

- ▶ **CU351MK only:** Ignite the grill as shown in fig. **12** (2) page 12 and fig. **14**, page 14.

- ▶ Ignite the oven as shown in fig. **12** (3) page 12 and fig. **15**, page 15.

Regulating the burners



NOTICE! Damage hazard

Ensure that the baking sheet, oven rack and the cookware do not come into contact with the flames inside the oven.



NOTE

- After igniting the oven for the first time, leave the oven on the highest temperature for least 30 minutes before regulating it.
- After igniting the cooktop for the first time, leave the corresponding cooktop flame on the highest flame size for 15 – 20 minutes before regulating it.

- ▶ Set the corresponding temperature control to the desired temperature or flame size (see chapter “Temperature knobs” on page 23 and chapter “Oven temperature ranges” on page 23).

- ✓ When the burner of the oven is ignited, the flame remains at the highest flame. When the oven reaches the set temperature, the flame automatically returns to a lower flame.

Using the cooktop



WARNING! Fire hazard

The flame must not extend beyond the edge of the cookware. Center the cookware over the burner and provide a secure stand using the cookware support.

- ▶ Ensure to use a suitable cookwear. Observe the cooktop burner and cookware diameters:

Cooktop burner diameter	Cookware diameter
Ø 62 mm	16 – 22 cm
Ø 77 mm	16 – 22 cm

- ▶ Secure the cookware in the cookware support using the knobs on the cookware support (see fig. 16, page 16).

Using the grill (CU351MK only)



CAUTION! Burn hazard

- Pull out the heat shield to protect the knobs from being heated by the grill.
- The heat shield is very hot while and after operating the grill. Wear protective gloves when touching the heat shield.

- ▶ Use the heat shield as shown in fig. 17, page 16.

Switching the cooktop and gas oven off

- ▶ Switch off the cooktop and gas oven as shown in fig. 18, page 17.

Saving energy

- ▶ Switch off the cooktop and gas oven after use (see chapter "Switching the cooktop and gas oven off" on page 25).
- ▶ Close the oven door while using the oven.

Cleaning and maintenance



WARNING! Explosion hazard

Do not use a flame or corrosive liquid to check the gas supply for leaks.



CAUTION! Burn hazard

The cooktop and gas oven is very hot while and after operating. Switch off the cooktop and gas oven. Let the cooktop and gas oven cool down before cleaning, packing up or transporting it.



NOTICE! Damage hazard

- Do not use abrasive, corrosive, chlorinated and coarse cleaning agents or brushes to clean the cooktop and gas oven.
- Do not use steam cleaners.
- Do not use compressed air to clean the gas circuit.
- Remove vinegars, salts, citric acid, or other acidic or alkaline substances from the cooktop and gas oven.

- ▶ Clean the cooktop and gas oven with a damp cloth using neutral cleaning agents (fig. 19, page 17).
- ▶ Clean the oven burner with water as shown in fig. 20, page 18.
- ▶ To clean or replace the gas injectors contact an authorized service center.

Maintaining the burners



WARNING! Fire hazard

Spiders can spin webs and insects can build nests inside the burners. The webs and nests can obstruct gas flow and cause a fire. Remove any insects, spiders, nests or webs inside the burner.

1. Check the burners twice a month for webs and nests.
2. If necessary, remove the insects, spiders, nests and webs inside the burner.

Replacing the gas cylinder



WARNING! Health hazard

- Replace the gas cylinder in a well-ventilated area.
- Ensure that there are no open flames in the area.
- Only replace the gas cylinder when the cooktop and gas oven is switched off.

1. Close the gas valve on the gas cylinder.
2. Unscrew the regulator from the gas cylinder.
3. If a gas hose is used, ensure that the hose is not defective.
4. If necessary, replace the hose (see chapter "Replacing the hose" on page 26).

- Screw the regulator into the new gas cylinder by hand.

- Screw the regulator into the gas cylinder by hand.
- Check the gas hose for leakage using a foaming agent, e. g. soap.

Replacing the hose



WARNING! Health hazard

- Replace the hose in a well-ventilated area.
- Ensure that there are no open flames in the area.
- Only replace the hose when the cooktop and gas oven is switched off.

- Close the gas valve on the gas cylinder.
- Unscrew the regulator from the gas cylinder.
- Replace the gas hose.

Storage



WARNING! Burn hazard

The cooktop and gas oven is very hot while and after operating. Switch off the cooktop and gas oven. Let the cooktop and gas oven cool down before packing up or transporting it.

- Close the gas valve on the gas cylinder.
- Clean the cooktop and gas oven (see chapter "Cleaning and maintenance" on page 25).

Troubleshooting

Fault	Possible cause	Remedy
The device does not ignite.	The wrong gas is used.	<ul style="list-style-type: none"> Ensure to use suitable gas. Observe the gas regulation specification for the cooktop and gas oven on the data plate, and the specifications in chapter "Technical data" on page 27. If necessary, replace the gas cylinder (see chapter "Replacing the gas cylinder" on page 25).
	The gas cylinder is empty.	<ul style="list-style-type: none"> Replace the gas cylinder (see chapter "Replacing the gas cylinder" on page 25).
	The hose is defective.	<ul style="list-style-type: none"> Replace the hose (see chapter "Replacing the hose" on page 26).
	A malfunction or poor connections are present.	<ul style="list-style-type: none"> Reconnect the pipe or hose (chapter "Connecting to the gas cylinder" on page 23). If necessary, switch off the gas supply and contact an authorized service agent.
	The thermocouple is defective.	<ul style="list-style-type: none"> Switch off the gas supply and contact an authorized service agent.
	The cooktop and gas oven is defective.	

Fault	Possible cause	Remedy
The cooktop burners does not ignite.	No sparking occurs.	<ul style="list-style-type: none"> ➤ Set the corresponding cooktop burner knob to the lowest level and switch on the cooktop burner (see chapter "Igniting the burners" on page 24).
The oven does not ignite.	No sparking occurs.	<ul style="list-style-type: none"> ➤ Switch off the oven for 1 minute. ➤ Switch on the oven (see chapter "Regulating the burners" on page 24).
CU351MK only: The grill does not ignite.	No sparking occurs.	<ul style="list-style-type: none"> ➤ Switch off the grill for 1 minute. ➤ Switch on the grill (see chapter "Using the cooktop" on page 24).

Warranty

The statutory warranty period applies. If the product is defective, please contact your retailer or the manufacturer's branch in your country (see dometic.com/dealer).

For repair and warranty processing, please include the following documents when you send in the product:

- A copy of the receipt with purchasing date
- A reason for the claim or description of the fault

Note that self-repair or non-professional repair can have safety consequences and might void the warranty.


Disposal



- Place the packaging material in the appropriate recycling waste bins wherever possible.
- Consult a local recycling center or specialist dealer for details about how to dispose of the product in accordance with the applicable disposal regulations.

Technical data

	CU351MK	CU354MK
Total rated power	6.4 kW, 466 g/h	5.1 kW, 371 g/h
Rated power oven	1.1 kW, 89 g/h	
Rated power grill	1.3 kW, 95 g/h	–
Rated power cooktop		
Left burner	2.2 kW, 160 g/h	
Right burner	1.8 kW, 131 g/h	
Combustion air volume	12.8 m ³ /h	10.2 m ³ /h
Connection pressure	fig. 6, page 8	
Dimensions (H x W x D)	508 x 450 x 358 mm	398 x 449 x 357 mm
Weight	18.50 kg	15.50 kg

	CU351MK	CU354MK
Cooktop burner dimension		
Left burner		∅ 62 mm
Right burner		∅ 70 mm
Certifications		

Lesen und befolgen Sie bitte alle Anweisungen, Richtlinien und Warnhinweise in diesem Produkthandbuch sorgfältig, um sicherzustellen, dass Sie das Produkt ordnungsgemäß installieren und stets ordnungsgemäß betreiben und warten. Diese Anleitung MUSS bei dem Produkt verbleiben.

Durch die Verwendung des Produktes bestätigen Sie hiermit, dass Sie alle Anweisungen, Richtlinien und Warnhinweise sorgfältig gelesen haben und dass Sie die hierin dargelegten Bestimmungen verstanden haben und ihnen zustimmen. Sie erklären sich damit einverstanden, dieses Produkt nur für den angegebenen Verwendungszweck und gemäß den Anweisungen, Richtlinien und Warnhinweisen dieses Produkthandbuchs sowie gemäß allen geltenden Gesetzen und Vorschriften zu verwenden. Eine Nichtbeachtung der hierin enthaltenen Anweisungen und Warnhinweise kann zu einer Verletzung Ihrer selbst und anderer Personen, zu Schäden an Ihrem Produkt oder zu Schäden an anderem Eigentum in der Umgebung führen. Dieses Produkthandbuch, einschließlich der Anweisungen, Richtlinien und Warnhinweise, sowie die zugehörige Dokumentation können Änderungen und Aktualisierungen unterliegen. Aktuelle Produktinformationen finden Sie unter documents.dometic.com.

Inhalt

Erläuterung der Symbole	29
Sicherheitshinweise	29
Lieferumfang	32
Zielgruppen	32
Bestimmungsgemäßer Gebrauch	32
Technische Beschreibung	33
Installation	34
Betrieb	35
Energie sparen	36
Reinigung und Pflege	36
Lagerung	37
Fehlersuche und Fehlerbehebung	38
Garantie	39
Entsorgung	39
Technische Daten	40

Erläuterung der Symbole



WARNUNG!

Sicherheitshinweis: Kennzeichnet eine Gefahrensituation, die zum Tod oder schwerer Verletzung führen könnte, wenn die jeweiligen Anweisungen nicht befolgt werden.



VORSICHT!

Sicherheitshinweis: Kennzeichnet eine Gefahrensituation, die zu geringer oder mittelschwerer Verletzung führen könnte, wenn die jeweiligen Anweisungen nicht befolgt werden.



ACHTUNG!

Kennzeichnet eine Situation, die zu Sachschäden führen kann, wenn die jeweiligen Anweisungen nicht befolgt werden.



HINWEIS

Ergänzende Informationen zur Bedienung des Produktes.

Sicherheitshinweise

Vorbemerkungen

- Stellen Sie vor der Montage sicher, dass die Verteilungsbedingungen am Einbauort (Art des Gases und Gasdruck) und die Einstellung des Gerätes kompatibel sind.
- Die Einstellbedingungen für dieses Gerät sind auf dem Etikett (oder Typenschild) angegeben.
- Dieses Gerät ist nicht an eine Vorrichtung zur Ableitung von Verbrennungsprodukten angeschlossen. Die Installation und der Anschluss müssen nach Maßgabe geltender Installationsvorschriften erfolgen. Besondere Aufmerksamkeit ist den maßgeblichen Anforderungen an die Belüftung zu widmen.

Grundlegende Sicherheit



WARNUNG! Nichtbeachtung dieser Warnungen kann zum Tod oder schwerer Verletzung führen.

Explosionsgefahr

- Reparaturen an diesem Gerät dürfen nur von Fachkräften durchgeführt werden. Durch unsachgemäße Reparaturen können erhebliche Gefahren entstehen.
- Dieses Gerät muss in Übereinstimmung mit den nationalen Vorschriften des Landes, in dem es verwendet wird, installiert werden.
- Dieses Gerät darf nur in einem gut belüfteten Raum verwendet werden.
- Lesen Sie die Anweisungen vor Montage oder Verwendung des Geräts.

- Dieses Gerät darf nicht verändert werden.
- Entfernen oder ersetzen Sie keine Teile des Geräts.
- Der Gasschlauch muss gewechselt werden, wenn es die nationalen Vorschriften erfordern.
- Verdrehen, dehnen, quetschen Sie den Gaszufuhrschlauch nicht und belasten Sie ihn nicht anderweitig.

Brandgefahr

- Lassen Sie das Gerät nicht unbeaufsichtigt, wenn es in Betrieb oder heiß ist.
- Kinder sollten beaufsichtigt werden, um sicherzustellen, dass sie nicht mit dem Gerät spielen.
- Halten Sie einen geeigneten Feuerlöscher bereit. Sorgen Sie dafür, dass der Feuerlöscher in regelmäßigen Abständen von Fachpersonal überprüft wird.

Verbrennungsgefahr

- Halten Sie Hände, Gesicht und Haare von Brennern entfernt.
- Tragen Sie keine weite Kleidung und binden Sie langes Haar zusammen, während Sie das Gerät zünden oder verwenden.
- Halten Sie Kinder und Haustiere fern.
- Achten Sie aufmerksam auf alle Aktivitäten in der Nähe des Geräts, um Verbrennungen oder andere Verletzungen zu vermeiden.
- Bewegen Sie das Gerät nicht, während es sich in Betrieb befindet.

Gesundheitsgefahr

- Dieses Gerät kann von Kindern ab 8 Jahren und von Personen mit verringerten physischen, sensorischen oder mentalen Fähigkeiten oder Mangel an Erfahrung und/oder Wissen verwendet werden, wenn diese Personen beaufsichtigt werden oder im sicheren Gebrauch des Geräts unterwiesen wurden und die daraus resultierenden Gefahren verstanden haben.
- Kinder sollten beaufsichtigt werden, um sicherzustellen, dass sie nicht mit dem Gerät spielen.



VORSICHT! Nichtbeachtung dieser Hinweise kann zu leichten bis mittel-schweren Verletzungen führen.

Verletzungsgefahr

- Im Falle des Bruchs einer Glasabdeckung (wenn das Gerät mit einer Glasabdeckung ausgestattet ist):
 - Schalten Sie sofort alle Brenner und alle elektrischen Heizelemente aus und trennen Sie das Gerät von der Stromversorgung.
 - Berühren Sie nicht die Oberfläche des Geräts.
 - Benutzen Sie das Gerät nicht.



ACHTUNG! Beschädigungsgefahr

- Wenn das Gerät mit einer Glasabdeckung ausgestattet ist:
 - Schließen Sie die Glasabdeckung vor Fahrtbeginn.
 - Schalten Sie alle Brenner aus, bevor Sie die Glasabdeckung schließen.

Sicherheit beim Umgang mit Flüssiggas



WARNUNG! Nichtbeachtung dieser Warnungen kann zum Tod oder schwerer Verletzung führen.

Explosionsgefahr

- Trennen Sie nach dem Gebrauch immer den Anschluss von der Flüssiggasflasche.
- Lagern Sie Flüssiggasflaschen entfernt von Heiz- oder Kochgeräten und anderen Licht- oder Wärmequellen in einem gut belüfteten Bereich, außerhalb der Reichweite von Kindern.
- Lagern Sie Flüssiggasflaschen **niemals** an unbelüfteten Plätzen oder unterhalb Bodenniveau (trichterförmige Erdmulden).
- Lagern Sie Flüssiggasflaschen **niemals** in Gebäuden wie z. B. Garagen.
- Eine Lagerung in Innenräumen muss nach den nationalen Vorschriften erfolgen.
- Lagern Sie Flüssiggasflaschen nicht auf der Seite liegend.
- Schützen Sie Flüssiggasflaschen vor direkter Sonneneinstrahlung. Die Temperatur sollte 50 °C nicht überschreiten.

Sicherheit beim Betrieb des Gerätes



GEFAHR! Nichtbeachtung dieser Hinweise führt zu Tod oder schwerer Verletzung.

Gefahr einer Kohlenmonoxidvergiftung

- Bei der Verbrennung von Flüssiggas entsteht Kohlenmonoxid, das sich in geschlossenen Räumen ansammelt.
Verwenden Sie dieses Gerät nur bei ausreichender Belüftung.

Erstickungsgefahr

- Der Betrieb des Geräts in einem unbelüfteten Bereich führt zu Sauerstoffmangel in diesem Bereich.
- Verwenden Sie das Gerät nicht als Raumheizung.
- Die Verwendung eines Gaskochers führt zur Entstehung von Wärme, Feuchtigkeit und Verbrennungsprodukten in dem Raum, in dem es installiert ist.
 - Stellen Sie sicher, dass die Küche gut belüftet ist, insbesondere wenn das Gerät in Betrieb ist.
 - Halten Sie die natürlichen Lüftungsöffnungen offen oder installieren Sie eine mechanische Lüftungsvorrichtung (z. B. eine mechanische Dunstabzugshaube).
- Bei längerer intensiver Nutzung des Geräts kann eine zusätzliche Belüftung erforderlich sein, z. B. durch das Öffnen eines Fensters, oder eine effektivere Belüftung, z. B. durch Verstärkung der mechanischen Belüftung, sofern vorhanden.



WARNUNG! Nichtbeachtung dieser Warnungen kann zum Tod oder schwerer Verletzung führen.

Explosionsgefahr

- Verwenden Sie dieses Gerät nicht, wenn es undicht oder beschädigt ist oder nicht ordnungsgemäß funktioniert.
- Verwenden Sie das Gerät unter keinen Umständen in den folgenden Situationen:
 - an Tankstellen
 - auf Fähren
 - während des Transports des Wohnwagens oder Wohnmobils mit einem Transport- oder Abschleppfahrzeug
- Schließen Sie im Fall eines Brandes die Gaszufuhr.

- Stellen Sie keine Chemikalien, brennbaren Materialien oder Sprühdosen in der Nähe dieses Geräts auf.
- Verwenden Sie niemals eine offene Flamme, um nach Gaslecks zu suchen.
- Bei Gasgeruch:
 - Versuchen Sie nicht, das Gerät zu zünden.
 - Löschen Sie alle offenen Flammen.
 - Drehen Sie die Gaszufuhr ab.
 - Trennen Sie das Gerät von der Gaszufuhr.
 - Wenn Sie das Gerät in Innenräumen verwenden, öffnen Sie die Fenster und evakuieren Sie das Fahrzeug.
 - Lassen Sie die Gasanlage von einem Fachbetrieb prüfen.
- Nehmen Sie das Anbringen und Abnehmen des Gasbehälters ausschließlich im Freien und entfernt von offenen Flammen, Zündflammen oder anderen Zündquellen und nur dann vor, wenn das Gerät ausreichend abgekühlt ist.
- Überprüfen Sie vor der Verwendung des Gasbehälters, ob die Dichtung zwischen dem Gerät und dem Gasbehälter vorhanden und in gutem Zustand ist.
- Wenn die Dichtung beschädigt oder verschlissen ist, verwenden Sie dieses Gerät nicht.
- Schließen Sie nach Gebrauch die Gaszufuhr am Gasbehälter.

Brandgefahr

- Das Gerät muss während des Betriebs von brennbaren Materialien ferngehalten werden.
- Stellen Sie keine anderen Gegenstände als Kochgeschirr auf dieses Gerät und lehnen Sie keine daran an.
- Stellen Sie das Gerät nicht in der Nähe von entzündlichen Materialien (Papier, trockenes Laub, Textilien) auf.
- Halten Sie brennbare Gegenstände vom Brenner fern.
- Positionieren Sie die Griffe des Kochgeschirrs wie folgt:
 - Lassen Sie die Griffe des Kochgeschirrs niemals über den Rand des Geräts hinausragen.
 - Drehen Sie die Griffe des Kochgeschirrs nach innen – aber so, dass sie sich nicht über anderen Brennern befinden.
- Erhitzen Sie Fett oder Öl nicht zu stark.
- Verwenden Sie zum Anfassen von heißem Kochgeschirr nur trockene Topfhalter.

- Schalten Sie das Gerät aus, bevor Sie das Kochgeschirr herunternehmen.
- Betreiben Sie das Gerät nur unter Aufsicht eines Erwachsenen.

Verbrennungsgefahr

- Zugängliche Teile können sehr heiß sein. Kinder fernhalten.



VORSICHT! Nichtbeachtung dieser Hinweise kann zu leichten bis mittel-schweren Verletzungen führen.

Verbrennungsgefahr

- Tragen Sie Schutzhandschuhe, wenn Sie heiße Teile berühren.
- Lassen Sie das Gerät abkühlen, bevor Sie es mit bloßen Händen berühren.
- Wenn ein Brenner manuell gezündet wird:
 - Benutzen Sie lange Zündhölzer oder einen entsprechenden Anzünder.
 - Ziehen Sie die Hände schnell zurück, sobald der Brenner gezündet hat.
- Der Konsum von Alkohol oder verschreibungspflichtigen oder nicht verschreibungspflichtigen Medikamenten kann Ihre Fähigkeit beeinträchtigen, dieses Gerät ordnungsgemäß zusammenzubauen oder sicher zu bedienen.



ACHTUNG! Beschädigungsgefahr

- Verwenden Sie keine externen Zeitschaltuhren oder Fernbedienungssysteme.

Lieferumfang

Nr. in Abb. 1, Seite 3	Komponente	Anzahl
1	Kochgeschirrhalterung	1
2	Backblech	1
3	Backofengestell	1
4	Kochfeld und Gasofen	1
5	Montagebügel	2

Zielgruppen



Die Montage und die Installation des Gasanschlusses müssen von einer Fachkraft ausgeführt werden, die nachweislich über Fähigkeiten und Kenntnisse in Bezug auf den Aufbau, die Installation und den Betrieb von Gasgeräten verfügt und ein Sicherheitstraining zum Erkennen und Vermeiden der diesbezüglichen Gefahren absolviert hat.

Bestimmungsgemäßer Gebrauch

Das Kochfeld und der Gasofen sind zum Kochen und Backen von Speisen vorgesehen.

Nur CU351MK: Das Kochfeld und der Gasofen sind zusätzlich zum Grillen von Speisen vorgesehen.

Das Kochfeld und der Gasofen sind nur für den Einsatz auf Booten und Schiffen vorgesehen. Beim Einsatz in geschlossenen Räumen müssen die in Abb. 5, Seite 7 aufgeführten Anforderungen erfüllt sein. Bei 3 Wänden müssen 30 % der gesamten Wandfläche offen und frei sein.

Das Kochfeld und der Gasofen sind **nicht** für die Verwendung auf Flydecks, in Fahrzeugen oder in Gebäuden vorgesehen.

Dieses Produkt ist nur für den angegebenen Verwendungszweck und die Anwendung gemäß dieser Anleitung geeignet.

Dieses Handbuch enthält Informationen, die für die ordnungsgemäße Installation und/oder den ordnungsgemäßen Betrieb des Produkts erforderlich sind. Installationsfehler und/oder ein nicht ordnungsgemäßer Betrieb oder eine nicht ordnungsgemäße Wartung haben eine unzureichende Leistung und u. U. einen Ausfall des Geräts zur Folge.

Der Hersteller übernimmt keine Haftung für Verletzungen oder Schäden am Produkt, die durch Folgendes entstehen:

- Unsachgemäße Montage oder falscher Anschluss, einschließlich Überspannung

- Unsachgemäße Wartung oder Verwendung von anderen als den vom Hersteller gelieferten Original-Ersatzteilen
- Veränderungen am Produkt ohne ausdrückliche Genehmigung des Herstellers
- Verwendung für andere als die in der Anleitung beschriebenen Zwecke

Kampa behält sich das Recht vor, das Erscheinungsbild des Produkts und dessen technische Daten zu ändern.

Technische Beschreibung

Das Kochfeld und der Gasofen dienen zum Kochen und Backen.

Nur CU351MK: Das Kochfeld und der Gasofen dienen zusätzlich zum Grillen.

Das Kochfeld und der Gasofen sind mit Montagehalterungen und einem Stift befestigt, um sicherzustellen, dass das Gerät bei Wellenbewegungen in seiner Position verbleibt. Das Gerät ist mit einer Kochgeschirrhalterung ausgestattet, die sicherstellt, dass das Kochgeschirr fest auf dem Kochfeld steht und bei Wellenbewegungen nicht verrutscht.

Das Kochfeld und der Gasofen müssen an eine Gasflasche angeschlossen werden.

CU354MK

Nr. in Abb. 2 , Seite 4	Komponente
1	Kochgeschirrhalterung
2	Regler für die Ofentemperatur
3	Backofengestell
4	Backblech
5	Backofentür
6	Temperaturregler des rechten Kochfeldbrenners
7	Temperaturregler des linken Kochfeldbrenners

CU351MK

Nr. in Abb. 3 , Seite 5	Komponente
1	Kochgeschirrhalterung
2	Regler für die Ofentemperatur
3	Temperaturregler des Grills
4	Grill
5	Backblech
6	Backofengestell
7	Backofentür
8	Temperaturregler des rechten Kochfeldbrenners
9	Temperaturregler des linken Kochfeldbrenners

Temperaturregler

Die Ofentemperatur und die Flammengröße der Brenner können geregelt werden (Abb. **4**, Seite 6).

Ofentemperaturbereiche

Position	1	2	3
Temperatur	130 °C	160 °C	180 °C

Position	4	5	6
Temperatur	200 °C	220 °C	240 °C

Installation



WARNUNG! Explosionsgefahr

- Stellen Sie vor der Installation des Kochfelds und des Gasofens sicher, dass die Gasqualität und der Gasdruck sowie die Gaszufuhrregler mit dem Kochfeld und dem Gasofen kompatibel sind.
Beachten Sie die Spezifikation der Gasregelung für das Kochfeld und den Gasofen auf dem Typenschild und die Spezifikationen in Kapitel „Technische Daten“ auf Seite 40.
- Das Kochfeld und der Gasofen sind nicht an eine Abzugshaube angeschlossen. Installieren Sie das Kochfeld und den Gasofen gemäß den geltenden Installationsvorschriften.

Die Gasflasche muss folgende Bedingungen erfüllen:

- Die Gasflasche muss immer in das dafür vorgesehene Fach gestellt werden.
- Die Gasflasche muss immer senkrecht stehen.
- Die Gasflasche muss mit einem leicht zugänglichen und nicht abgedeckten Druckregler versehen sein.

Bei der Gasversorgung des Geräts muss es sich um ein starres Metallrohr mit abgedichteten Anschlüssen handeln. Bei Verwendung eines flexiblen Schlauchs müssen folgende Bedingungen erfüllt sein:

- Der Schlauch muss für Inspektionszwecke leicht zugänglich sein.
- Der Schlauch muss vor Kontakt mit anderen Teilen geschützt sein, die sich erhitzen.
- Der Schlauch muss vor Beschädigung geschützt sein.
- Der Schlauch muss vor einem Einquetschen durch bewegliche Teile wie Schubladen geschützt sein.
- Der Schlauch darf nicht länger als 1,5 m sein.
- Der Schlauch muss vor Ablauf des Verfallsdatums ausgetauscht werden.

1. Schließen Sie das Rohr oder den Schlauch der Gasflasche an das Kochfeld und den Gasofen an (Abb. **7** bis Abb. **8**, Seite 9).
Der Schlauch muss mit einem geeigneten Schraubenschlüssel, z. B. einem verstellbaren Schraubenschlüssel, festgezogen werden, um eine gasdichte Abdichtung zu erhalten.
2. Prüfen Sie den Gasschlauch oder das Rohr mit einem schäumenden Mittel, z. B. Seife, auf Undichtigkeiten.



WARNUNG! Explosionsgefahr

Verwenden Sie keine Flamme oder ätzende Flüssigkeit, um die Gasversorgung auf Undichtigkeiten zu prüfen.

Kochfeld und Gasofen montieren

1. Stellen Sie einen ausreichenden Abstand zu den Wänden und anderen Schränken sicher (siehe Abb. **9**, Seite 10).

Installationsort festlegen

Beachten Sie bei der Wahl des Aufstellungsortes für das Kochfeld und den Gasofen folgende Hinweise:

- Stellen Sie das Kochfeld und den Gasofen im Freien oder in einem geschlossenen Raum auf, der den in Abb. **5**, Seite 7 gezeigten Anforderungen entspricht.
- Der Aufstellungsort muss gut belüftet sein.
- Stellen Sie das Kochfeld und den Gasofen nicht in einer Senke auf, um zu verhindern, dass sich dort Gase ansammeln.
- Halten Sie das Kochfeld und den Gasofen vor Wind und direkter Zugluft geschützt.
- Der Untergrund muss fest, eben und stabil sein.
- Das Gehäuse und der Grillraum werden während des Betriebs sehr heiß. Das Kochfeld und der Gasofen müssen auf einer Unterlage stehen, die einer Temperatur von mindestens 80 °C standhalten kann.

An die Gasflasche anschließen

Das Kochfeld und der Gasofen werden mit handelsüblichen Gasflaschen betrieben, die in dem Land, in dem sie verwendet werden, verfügbar sind (Abb. **6**, Seite 8).

2. Montieren Sie das Kochfeld und den Gasofen wie in Abb. **10** bis Abb. **11**, Seite 11 gezeigt.

Betrieb



WARNUNG! Explosionsgefahr

- Zünden Sie die Brenner sofort nach dem Einschalten der Gasversorgung. Andernfalls kann sich Gas im Brennerbereich ansammeln und eine Explosion verursachen.
- Der gesamte Zündvorgang muss von oben sichtbar sein und darf nicht durch auf das Kochfeld gestelltes Kochgeschirr verdeckt sein.



ACHTUNG! Beschädigungsgefahr

Nur CU351MK: Verwenden Sie den Grill nicht länger als 25 Minuten.



HINWEIS

- Während des Betriebs des Kochfelds und des Gasofens kann ein leichtes Geräusch zu hören sein, das durch das austretende Gas verursacht wird.
- Bei der ersten Verwendung von Kochfeld und Gasofen kann Rauch entstehen. Dies wird durch verbrennende Reste von Maschinenöl verursacht und hört nach ca. 10 Minuten auf.
- **Nur CU351MK:** Der Grill kann nicht als Backofen verwendet werden.
- Bei der Verwendung von Propan (G31) ist die Flamme blau ohne gelbe Spitzen.
- Bei der Verwendung von Butan (G30) ist die Flamme blau mit gelben Spitzen, wenn sie gezündet wird. Die gelben Spitzen werden intensiver, wenn sich der Brenner erhitzt.

Brenner zünden

- ▶ Zünden Sie das Kochfeld wie in Abb. **12 (1)** Seite 12 und Abb. **13**, Seite 13 gezeigt.
- ▶ **Nur CU351MK:** Zünden Sie den Grill wie in Abb. **12 (2)** Seite 12 und Abb. **14**, Seite 14 gezeigt.
- ▶ Zünden Sie den Backofen wie in Abb. **12 (3)** Seite 12 und Abb. **15**, Seite 15 gezeigt.

Brenner regeln



ACHTUNG! Beschädigungsgefahr

Stellen Sie sicher, dass das Backblech, der Backofenrost und das Kochgeschirr nicht mit den Flammen im Backofen in Berührung kommen.



HINWEIS

- Lassen Sie den Backofen nach dem ersten Zünden mindestens 30 Minuten auf höchster Temperaturstufe, bevor Sie ihn regeln.
- Lassen Sie nach dem ersten Zünden des Kochfelds die entsprechende Kochfeldflamme 15 – 20 Minuten lang auf der höchsten Flammengröße, bevor Sie sie regeln.

- ▶ Stellen Sie den entsprechenden Temperaturregler auf die gewünschte Temperatur oder Flammengröße ein (siehe Kapitel „Temperaturregler“ auf Seite 33 und Kapitel „Ofentemperaturbereiche“ auf Seite 33).
- ✓ Wenn der Brenner des Backofens gezündet wird, bleibt die Flamme auf der höchsten Flammengröße. Wenn der Backofen die eingestellte Temperatur erreicht, kehrt die Flamme automatisch zu einer kleineren Flammengröße zurück.

Kochfeld verwenden



WARNUNG! Brandgefahr

Die Flamme darf sich nicht über den Rand des Kochgeschirrs ausdehnen. Zentrieren Sie das Kochgeschirr über dem Brenner und stellen Sie mithilfe der Kochgeschirrhalterung einen festen Stand sicher.

- ▶ Stellen Sie sicher, dass Sie geeignete Kochgeschirr verwenden. Beachten Sie die Durchmesser des Kochfeldbrenners und des Kochgeschirrs:

Durchmesser des Kochfeldbrenners	Durchmesser des Kochgeschirrs
Ø 62 mm	16 – 22 cm
Ø 77 mm	16 – 22 cm

- Sichern Sie das Kochgeschirr in der Kochgeschirrhalterung mithilfe der Knöpfe an der Kochgeschirrhalterung (siehe Abb. **16**, Seite 16).



ACHTUNG! Beschädigungsgefahr

- Verwenden Sie keine scheuernden, korrosiven, chlorhaltigen oder groben Reinigungsmittel oder Bürsten, um das Kochfeld und den Gasofen zu reinigen.
- Verwenden Sie keine Dampfreiniger.
- Verwenden Sie zum Reinigen des Gaskreislaufs keine Druckluft.
- Entfernen Sie Essig, Salz, Zitronensäure oder andere saure oder alkalische Substanzen vom Kochfeld und vom Gasofen.

Grill verwenden (nur CU351MK)



VORSICHT! Verbrennungsgefahr

- Ziehen Sie den Hitzeschild heraus, um die Knöpfe vor Erwärmung durch den Grill zu schützen.
- Der Hitzeschild ist während und nach dem Betrieb des Grills sehr heiß. Tragen Sie Schutzhandschuhe, wenn Sie den Hitzeschild berühren.

- Verwenden Sie den Hitzeschild wie in Abb. **17**, Seite 16 gezeigt.

- Reinigen Sie das Kochfeld und den Gasofen mit einem feuchten Tuch und Neutralreinigern (Abb. **19**, Seite 17).

- Reinigen Sie den Ofenbrenner mit Wasser, wie in Abb. **20**, Seite 18 gezeigt.

- Wenden Sie sich bezüglich der Reinigung oder des Austauschs der Gaseinspritzventile an einen zugelassenen Kundendienst.

Kochfeld und Gasofen ausschalten

- Schalten Sie das Kochfeld und den Gasofen wie in Abb. **18**, Seite 17 gezeigt aus.

Energie sparen

- Schalten Sie das Kochfeld und den Gasofen nach Gebrauch aus (siehe Kapitel „Kochfeld und Gasofen ausschalten“ auf Seite 36).
- Schließen Sie die Backofentür, während Sie den Backofen verwenden.

Brenner warten



WARNING! Brandgefahr

Spinnen können Netze in den Brennern weben und Insekten können Nester in den Brennern bauen. Die Netze und Nester können den Gasfluss behindern und einen Brand verursachen. Entfernen Sie Insekten, Spinnen, Nester oder Netze im Inneren des Brenners.

1. Überprüfen Sie die Brenner zweimal pro Monat auf Netze und Nester.
2. Entfernen Sie bei Bedarf die Insekten, Spinnen, Nester und Netze im Brenner.

Reinigung und Pflege



WARNING! Explosionsgefahr

Verwenden Sie keine Flamme oder ätzende Flüssigkeit, um die Gasversorgung auf Undichtigkeiten zu prüfen.



VORSICHT! Verbrennungsgefahr

Das Kochfeld und der Gasofen sind während und nach dem Betrieb sehr heiß. Schalten Sie das Kochfeld und den Gasofen aus. Lassen Sie das Kochfeld und den Gasofen abkühlen, bevor Sie sie reinigen, verstauen oder transportieren.



WARNING! Gesundheitsgefahr

- Tauschen Sie die Gasflasche in einem gut belüfteten Bereich aus.
- Stellen Sie sicher, dass in der Nähe keine offenen Flammen vorhanden sind.
- Tauschen Sie die Gasflasche nur bei ausgeschaltetem Kochfeld und Gasofen aus.

1. Schließen Sie das Gasventil der Gasflasche.
 2. Schrauben Sie den Regler von der Gasflasche ab.
 3. Wenn ein Gasschlauch verwendet wird, stellen Sie sicher, dass der Schlauch nicht defekt ist.
 4. Tauschen Sie den Schlauch bei Bedarf aus (siehe Kapitel „Schlauch austauschen“ auf Seite 37).
 5. Schrauben Sie den Regler von Hand in die neue Gasflasche.
2. Reinigen Sie das Kochfeld und den Gasofen (siehe Kapitel „Reinigung und Pflege“ auf Seite 36).

Schlauch austauschen



WARNUNG! Gesundheitsgefahr

- Tauschen Sie den Schlauch in einem gut belüfteten Bereich aus.
- Stellen Sie sicher, dass in der Nähe keine offenen Flammen vorhanden sind.
- Tauschen Sie den Schlauch nur bei ausgeschaltetem Kochfeld und Gasofen aus.

1. Schließen Sie das Gasventil der Gasflasche.
2. Schrauben Sie den Regler von der Gasflasche ab.
3. Tauschen Sie den Gasschlauch aus.
4. Schrauben Sie den Regler von Hand in die Gasflasche.
5. Prüfen Sie den Gasschlauch mit einem schäumenden Mittel, z. B. Seife, auf Undichtigkeiten.

Lagerung



WARNUNG! Verbrennungsgefahr

Das Kochfeld und der Gasofen sind während und nach dem Betrieb sehr heiß. Schalten Sie das Kochfeld und den Gasofen aus. Lassen Sie das Kochfeld und den Gasofen abkühlen, bevor Sie sie verstauen oder transportieren.

1. Schließen Sie das Gasventil der Gasflasche.

Fehlersuche und Fehlerbehebung

Störung	Mögliche Ursache	Beseitigung
Das Gerät zündet nicht.	Es wird das falsche Gas verwendet.	<ul style="list-style-type: none">▶ Stellen Sie sicher, dass Sie ausreichend Gas verwenden. Beachten Sie die Spezifikation der Gasregelung für das Kochfeld und den Gasofen auf dem Typenschild und die Spezifikationen in Kapitel „Technische Daten“ auf Seite 40.▶ Tauschen Sie bei Bedarf die Gasflasche aus (siehe Kapitel „Gasflasche austauschen“ auf Seite 36).
	Die Gasflasche ist leer.	<ul style="list-style-type: none">▶ Tauschen Sie die Gasflasche aus (siehe Kapitel „Gasflasche austauschen“ auf Seite 36).
	Der Schlauch ist defekt.	<ul style="list-style-type: none">▶ Tauschen Sie den Schlauch aus (siehe Kapitel „Schlauch austauschen“ auf Seite 37).
	Eine Fehlfunktion liegt vor oder die Anschlüsse sind fehlerhaft.	<ul style="list-style-type: none">▶ Schließen Sie das Rohr oder den Schlauch neu an (Kapitel „An die Gasflasche anschließen“ auf Seite 34).▶ Schalten Sie bei Bedarf die Gasversorgung ab und wenden Sie sich an einen zugelassenen Kundendienst.
	Das Thermosteuelement ist defekt.	<ul style="list-style-type: none">▶ Schalten Sie die Gasversorgung ab und wenden Sie sich an einen zugelassenen Kundendienst.
	Das Kochfeld und der Gasofen sind defekt.	
Die Kochfeldbrenner zünden nicht.	Es tritt keine Funkenbildung auf.	<ul style="list-style-type: none">▶ Stellen Sie den Brennerregler des entsprechenden Kochfelds auf die niedrigste Stufe und schalten Sie den Kochfeldbrenner ein (siehe Kapitel „Brenner zünden“ auf Seite 35).

Störung	Mögliche Ursache	Beseitigung
Der Backofen zündet nicht.	Es tritt keine Funkenbildung auf.	<ul style="list-style-type: none"> ➤ Schalten Sie den Backofen für 1 Minute aus. ➤ Schalten Sie den Backofen ein (siehe Kapitel „Brenner regeln“ auf Seite 35).
Nur CU351MK: Der Grill zündet nicht.	Es tritt keine Funkenbildung auf.	<ul style="list-style-type: none"> ➤ Schalten Sie den Grill für 1 Minute aus. ➤ Schalten Sie den Grill ein (siehe Kapitel „Kochfeld verwenden“ auf Seite 35).

Garantie

Es gilt die gesetzliche Gewährleistungsfrist. Sollte das Produkt defekt sein, wenden Sie sich bitte an Ihren Fachhändler oder die Niederlassung des Herstellers in Ihrem Land (siehe dometic.com/dealer).

Bitte senden Sie bei einem Reparatur- bzw. Gewährleistungsantrag folgende Unterlagen mit dem Produkt ein:

- eine Kopie der Rechnung mit Kaufdatum
- einen Reklamationsgrund oder eine Fehlerbeschreibung


Bitte beachten Sie, dass eigenständig oder nicht fachgerecht durchgeführte Reparaturen die Sicherheit gefährden und zum Erlöschen der Garantie führen können.

Entsorgung



- Geben Sie das Verpackungsmaterial möglichst in den entsprechenden Recycling-Müll.
- Wenden Sie sich an ein örtliches Recyclingzentrum oder einen Fachhändler, um zu erfahren, wie Sie das Produkt gemäß den geltenden Entsorgungsvorschriften entsorgen können.

Technische Daten

	CU351MK	CU354MK
Gesamtnennleistung	6,4 kW, 466 g/h	5,1 kW, 371 g/h
Nennleistung Backofen	1,1 kW, 89 g/h	
Nennleistung Grill	1,3 kW, 95 g/h	-
Nennleistung Kochfeld		
Linker Brenner	2,2 kW, 160 g/h	
Rechter Brenner	1,8 kW, 131 g/h	
Verbrennungsluftvolumen	12,8 m ³ /h	10,2 m ³ /h
Anschlussdruck	Abb. 6 , Seite 8	
Abmessungen (H x B x T)	508 x 450 x 358 mm	398 x 449 x 357 mm
Gewicht	18,50 kg	15,50 kg
Abmessung Kochfeldbrenner		
Linker Brenner	Ø 62 mm	
Rechter Brenner	Ø 70 mm	
Zulassungen		

Veillez lire et suivre attentivement l'ensemble des instructions, directives et avertissements figurant dans ce manuel afin d'installer, d'utiliser et d'entretenir le produit correctement à tout moment. Ces instructions DOIVENT rester avec le produit.

En utilisant ce produit, vous confirmez expressément avoir lu attentivement l'ensemble des instructions, directives et avertissements et que vous comprenez et acceptez de respecter les modalités et conditions énoncées dans le présent document. Vous acceptez d'utiliser ce produit uniquement pour l'usage et l'application prévus et conformément aux instructions, directives et avertissements figurant dans le présent manuel, ainsi qu'à toutes les lois et réglementations applicables. En cas de non-respect des instructions et avertissements figurant dans ce manuel, vous risquez de vous blesser ou de blesser d'autres personnes, d'endommager votre produit ou d'endommager d'autres biens à proximité. Le présent manuel produit, y compris les instructions, directives et avertissements, ainsi que la documentation associée peuvent faire l'objet de modifications et de mises à jour. Pour obtenir des informations actualisées sur le produit, veuillez consulter le site documents.domestic.com.

Sommaire

Signification des symboles	41
Consignes de sécurité	41
Contenu de la livraison	44
Groupes cible	44
Usage conforme	44
Description technique	45
Installation	46
Utilisation	47
Économie d'énergie	48
Nettoyage et entretien	48
Stockage	49
Dépannage	50
Garantie	51
Mise au rebut	51
Caractéristiques techniques	52

Signification des symboles



AVERTISSEMENT !

Consignes de sécurité : indiquent une situation dangereuse qui, si elle n'est pas évitée, est susceptible d'entraîner des blessures graves, voire mortelles.



ATTENTION !

Consignes de sécurité : indiquent une situation dangereuse qui, si elle n'est pas évitée, est susceptible d'entraîner des blessures légères ou de gravité modérée.



AVIS !

Indiquent une situation dangereuse qui, si elle n'est pas évitée, peut entraîner des dommages matériels.



REMARQUE

Informations complémentaires sur l'utilisation de ce produit.

Consignes de sécurité

Remarques préliminaires

- Avant l'installation, s'assurer que les conditions de distribution locale (nature et pression du gaz) et le réglage de l'appareil sont compatibles.
- Les conditions de réglage de cet appareil sont indiquées sur l'étiquette ou sur la plaque signalétique.
- Cet appareil n'est pas relié à un dispositif d'évacuation des produits de combustion. Il doit être installé et raccordé selon la réglementation actuelle en vigueur. Une attention particulière devra être accordée aux exigences pertinentes en matière d'aération.

Sécurité générale



AVERTISSEMENT ! Le non-respect de ces mises en garde peut entraîner des blessures graves, voire mortelles.

Risque d'explosion

- Seul un personnel qualifié est habilité à effectuer des réparations sur l'appareil. Une réparation incorrecte peut entraîner de graves dangers.
- Cet appareil doit être installé conformément à la réglementation nationale en vigueur dans le pays d'utilisation.
- Cet appareil doit uniquement être utilisé dans un espace bien ventilé.
- Lisez les instructions avant d'installer ou d'utiliser cet appareil.
- Ne modifiez pas cet appareil.

- Ne retirez ou ne remplacez aucun composant de cet appareil.
- Si la réglementation nationale l'exige, le flexible de gaz devra au besoin être changé.
- Ne tordez, n'étirez et ne pincez pas le flexible d'alimentation en gaz et n'appliquez aucune autre charge sur celui-ci.

Risque d'incendie

- Ne pas laisser l'appareil sans surveillance lorsqu'il est chaud ou en marche.
- Les enfants doivent être surveillés pour s'assurer qu'ils ne jouent pas avec l'appareil.
- Gardez un extincteur approprié à disposition. Veillez à ce que l'extincteur soit contrôlé à intervalles réguliers par un professionnel qualifié.

Risque de brûlures

- Garder vos mains, visage et cheveux à distance des brûleurs.
- Ne pas porter de vêtements amples et ne pas laisser vos cheveux longs pendre librement lorsque vous allumez ou utilisez l'appareil.
- Tenez les enfants et les animaux à l'écart de l'appareil.
- Surveillez attentivement toute activité à proximité de l'appareil pour éviter les brûlures ou autres blessures.
- Ne déplacez pas l'appareil pendant l'utilisation.

Risque pour la santé

- Cet appareil peut être utilisé par des enfants âgés de 8 ans et plus et des personnes ayant des capacités physiques, sensorielles ou mentales réduites ou un manque d'expérience et de connaissances, s'ils sont sous surveillance ou ont reçu des instructions sur l'utilisation de l'appareil en toute sécurité et comprennent les risques impliqués.
- Les enfants doivent être surveillés pour s'assurer qu'ils ne jouent pas avec l'appareil.



ATTENTION ! Le non-respect de ces mises en garde peut entraîner des blessures légères ou de gravité modérée.

Risque de blessure

- En cas de bris de couvercle de verre (le cas échéant) :
 - Arrêter immédiatement tous les brûleurs et tout élément chauffant électrique et débrancher l'appareil de l'alimentation électrique.
 - Ne pas toucher la surface de l'appareil.
 - Ne pas utiliser l'appareil.



AVIS ! Risque d'endommagement

- Si l'appareil a un couvercle de verre :
 - Fermez le couvercle en verre avant tout trajet.
 - Éteindre tous les brûleurs avant de fermer le couvercle.

Consignes de sécurité lors de la manipulation de conteneurs de gaz liquide



AVERTISSEMENT ! Le non-respect de ces mises en garde peut entraîner des blessures graves, voire mortelles.

Risque d'explosion

- Après utilisation, débranchez toujours la bouteille de gaz liquide.
- Stockez les bouteilles de gaz liquide loin des appareils de chauffage ou de cuisson et des autres sources de lumière ou de chaleur, dans un endroit bien ventilé, hors de la portée des enfants.
- N'entrez jamais les bouteilles de gaz liquide dans des espaces mal aérés ou sous le niveau du sol (dans des trous en forme d'entonnoir).
- Ne stockez jamais les bouteilles de gaz liquide dans des espaces clos tels que les garages.
- Tout espace de stockage en intérieur doit être conforme aux réglementations nationales.
- Ne stockez pas les bouteilles de gaz liquide en position couchée.
- Protégez les bouteilles de gaz liquide d'un rayonnement solaire direct. La température ne doit pas dépasser 50 °C.

Consignes de sécurité concernant le fonctionnement de l'appareil



DANGER ! Le non-respect des présentes instructions peut entraîner des blessures graves, voire mortelles.

Risque d'empoisonnement au monoxyde de carbone

- Le processus de combustion du gaz liquide produit du monoxyde de carbone qui s'accumule à l'intérieur des espaces clos.
Ne faire fonctionner cet appareil que dans des lieux suffisamment aérés.

Risque de suffocation

- L'utilisation de cet appareil réduit le volume d'oxygène dans les espaces non aérés.
- Ne pas utiliser l'unité comme appareil de chauffage.
- L'utilisation d'un appareil de cuisson au gaz génère de la chaleur, de l'humidité et des produits de combustion dans la pièce où il est installé.
 - S'assurer que la cuisine est bien aérée, particulièrement lors de l'utilisation de l'appareil.
 - laisser les ouvertures naturelles d'aération ouvertes ou prévoir un dispositif mécanique de ventilation (p. ex. une hotte aspirante).
- Une utilisation intensive et prolongée de l'appareil pourrait exiger une aération supplémentaire, par exemple l'ouverture d'une fenêtre, ou une ventilation plus efficace, par exemple l'augmentation du niveau de ventilation mécanique le cas échéant.



AVERTISSEMENT ! Le non-respect de ces mises en garde peut entraîner des blessures graves, voire mortelles.

Risque d'explosion

- N'utilisez pas cet appareil s'il fuit, s'il est endommagé ou s'il ne fonctionne pas correctement.
- Ne jamais utiliser l'appareil dans les situations suivantes :
 - dans une station-service
 - sur un traversier
 - durant le déplacement de la caravane ou du mobile home par un véhicule de transport ou une remorqueuse
- En cas d'incendie, couper l'alimentation de gaz.
- Ne pas placer de produits chimiques, de matériaux inflammables ou d'aérosols à proximité de l'appareil.

- Ne jamais contrôler l'étanchéité du produit à l'aide d'une flamme nue.
- En cas d'odeur de gaz :
 - N'essayez pas d'allumer l'appareil.
 - Éteindre toute flamme nue.
 - Couper l'alimentation de gaz.
 - Déconnecter l'appareil de l'alimentation en gaz.
 - Lorsque vous utilisez l'appareil à l'intérieur, ouvrez les vitres et évacuez le véhicule.
 - Faites contrôler l'installation de gaz par une entreprise spécialisée.
- Ne raccorder ou déconnecter seulement la bonne de gaz à l'extérieur, loin de toute flamme nue/veilleuse ou autre source d'allumage et uniquement lorsque l'appareil est froid au toucher.
- Avant d'utiliser une bonbonne de gaz, vérifier que le joint situé entre cet appareil et la bonbonne de gaz est en place et en bon état.
- Si le joint d'étanchéité est usé ou endommagé, ne pas utiliser l'appareil.
- Après utilisation, fermer les commandes des brûleurs et la vanne d'alimentation de la bonbonne de gaz.

Risque d'incendie

- Durant son utilisation, cet appareil doit être éloigné des matériaux inflammables.
- Ne pas placer d'objets autres que des ustensiles de cuisine sur ou contre l'appareil.
- Ne pas placer cet appareil à proximité de matériaux inflammables (papier, feuilles mortes, textiles).
- Éloignez tout objet inflammable du brûleur.
- Placer les poignées des ustensiles de cuisine comme suit :
 - Ne jamais laisser les poignées des casseroles dépasser du bord de l'appareil.
 - Tourner les manches des casseroles vers l'intérieur, mais sans dépasser au-dessus des autres brûleurs.
- Ne pas surchauffer les huiles ou graisses.
- Utilisez uniquement des maniques sèches pour manipuler les ustensiles de cuisine chauds.
- Éteignez l'appareil avant de retirer les ustensiles de cuisine du feu.
- L'utilisation de cet appareil doit toujours être surveillée par un adulte.

Risque de brûlures

- Des parties exposées peuvent être très chaudes. Gardez l'appareil hors de portée des jeunes enfants.



ATTENTION ! Le non-respect de ces mises en garde peut entraîner des blessures légères ou de gravité modérée.

Risque de brûlures

- Lorsque vous manipulez des objets chauds, portez des gants de protection.
- Laissez l'appareil refroidir avant de le toucher à mains nues.
- Lorsqu'un brûleur est allumé manuellement :
 - Utilisez des allumettes longues ou un allume-gaz approprié.
 - Retirez rapidement votre main dès que le brûleur est allumé.
- La consommation d'alcool ou de médicaments sur ordonnance ou en vente libre peut altérer votre capacité à assembler correctement ou à utiliser l'appareil en toute sécurité.



AVIS ! Risque d'endommagement

- N'utilisez pas de programmeur externe ou de télécommande.

Contenu de la livraison

N° sur la fig. 1, page 3	Composant	Quantité
1	Support de casseroles	1
2	Lèchefrite	1
3	Grille de four	1
4	Plaque de cuisson et four à gaz	1
5	Support de montage	2

Groupes cible



L'assemblage et l'installation du raccordement de gaz doivent être effectués par une personne qualifiée disposant des compétences et des connaissances requises en matière de bâtiment, d'installation et de fonctionnement d'appareils au gaz, et ayant suivi une formation de sécurité afin d'identifier et d'éviter les dangers associés.

Usage conforme

La plaque de cuisson et le four à gaz sont destinés à cuire et à rôtir des aliments.

Modèle CU351MK uniquement : La plaque de cuisson et le four à gaz sont également destinés à griller des aliments.

La plaque de cuisson et le four à gaz sont conçus pour une utilisation sur les navires et les applications maritimes uniquement. Pour une utilisation dans des espaces clos, les exigences indiquées sur la fig. 5, page 7 doivent être respectées. Si la pièce comprend 3 murs, 30 % de la surface totale du mur doit être ouverte, sans obstruction.

La plaque de cuisson et le four à gaz ne sont **pas** conçus pour être utilisés sur des ponts, dans des véhicules ou dans des bâtiments.

Ce produit convient uniquement à l'usage et à l'application prévus, conformément aux présentes instructions.

Ce manuel fournit les informations nécessaires à l'installation et/ou à l'utilisation correcte du produit. Une installation, une utilisation ou un entretien inappropriés entraînera des performances insatisfaisantes et une éventuelle défaillance.

Le fabricant décline toute responsabilité en cas de blessure ou de dégâts sur le produit résultant :

- D'un montage ou d'un raccordement incorrect, y compris d'une surtension
- D'un entretien inadapté ou de l'utilisation de pièces de rechange autres que les pièces de rechange d'origine fournies par le fabricant
- De modifications apportées au produit sans autorisation explicite du fabricant

- D'usages différents de ceux décrits dans ce manuel

Kampa se réserve le droit de modifier l'apparence et les spécifications produit.

Description technique

La plaque de cuisson et le four à gaz sont destinés à cuire et rôtir des aliments.

Modèle CU351MK uniquement : La plaque de cuisson et le four à gaz peuvent également griller des aliments.

La plaque de cuisson et le four à gaz sont fixés à l'aide de supports de montage et d'une goupille qui garantissent que l'appareil reste en place en cas de houles. L'appareil est équipé d'un support de casseroles garantissant que les ustensiles sont fermement maintenus sur la plaque de cuisson et qu'ils ne glissent pas en cas de houles.

La plaque de cuisson et le four à gaz doivent être raccordés à une bouteille de gaz.

CU354MK

N° sur la fig. 2 , page 4	Composant
1	Support de casseroles
2	Bouton de réglage de la température du four
3	Grille de four
4	Lèchefrite
5	Porte du four
6	Bouton de réglage de la flamme du brûleur droit de la plaque de cuisson
7	Bouton de réglage de la flamme du brûleur gauche de la plaque de cuisson

CU351MK

N° sur la fig. 3 , page 5	Composant
1	Support de casseroles
2	Bouton de réglage de la température du four
3	Bouton de réglage de la température du grill
4	Gril
5	Lèchefrite
6	Grille de four
7	Porte du four
8	Bouton de réglage de la flamme du brûleur droit de la plaque de cuisson
9	Bouton de réglage de la flamme du brûleur gauche de la plaque de cuisson

Boutons de réglage de la température

La température du four et la flamme des brûleurs peuvent être réglées (fig. **4**, page 6).

Plages de températures du four

position	1	2	3
Température	130 °C	160 °C	180 °C

position	4	5	6
Température	200 °C	220 °C	240 °C

Installation



AVERTISSEMENT ! Risque d'explosion

- Avant d'installer la plaque de cuisson et le four à gaz, assurez-vous que la qualité et la pression du gaz, ainsi que les régulateurs de débit de gaz sont compatibles avec l'appareil. Respectez les spécifications de régulation du gaz pour la plaque de cuisson et le four à gaz indiquées sur la plaque signalétique et les spécifications fournies dans le chapitre « Caractéristiques techniques », page 52.
- La plaque de cuisson et le four à gaz ne sont pas connectés à une hotte. Installez la plaque de cuisson et le four à gaz conformément aux réglementations d'installation applicables.

Choix de l'emplacement d'installation

Lors du choix de l'emplacement d'installation de la plaque de cuisson et du four à gaz, respectez les instructions suivantes :

- Placez la plaque de cuisson et le four à gaz à l'extérieur ou dans un espace clos répondant aux exigences indiquées à la fig. **5**, page 7.
- L'emplacement de montage doit être bien aéré.
- Ne placez pas la plaque de cuisson et le four à gaz dans un renforcement pour éviter l'accumulation de gaz à cet endroit.
- Protégez la plaque de cuisson et le four à gaz du vent et des courants d'air directs.
- Le sol doit être ferme, plat et stable.
- Les parois extérieures et l'enceinte du grill deviennent très chaudes lors du fonctionnement. La plaque de cuisson et le four à gaz doivent reposer sur une base pouvant résister à une chaleur de 80 °C minimum.

Raccordement à la bouteille de gaz

La plaque de cuisson et le four à gaz fonctionnent avec des bouteilles de gaz commerciales disponibles dans le pays d'utilisation (fig. **6**, page 8).

La bouteille de gaz doit remplir les conditions suivantes :

- La bouteille de gaz doit toujours être placée dans le compartiment prévu à cet effet.
- La bouteille de gaz doit toujours reposer verticalement.
- La bouteille de gaz doit être équipée d'un régulateur de débit facilement accessible et non couvert.

L'alimentation en gaz connectée à l'appareil doit être constituée d'un tuyau métallique rigide avec des raccords étanches. Si un flexible est utilisé, les conditions suivantes doivent être remplies :

- Le flexible doit être facilement accessible à des fins d'inspection.
 - Le flexible doit être protégé de tout contact avec d'autres pièces qui chauffent.
 - Le flexible doit être protégé contre tout dégât éventuel.
 - Le flexible doit être protégé contre tout pincement par des pièces mobiles, telles que des tiroirs.
 - La longueur du flexible ne doit pas dépasser 1,5 m.
 - Le flexible doit être remplacé avant sa date d'expiration.
1. Raccordez le tuyau ou le flexible de la bouteille de gaz à la plaque de cuisson et au four à gaz (fig. **7** à fig. **8**, page 9).
Le flexible doit être serré à l'aide d'une clé adaptée, telle qu'une clé à molette, pour garantir l'étanchéité du raccord de gaz.
 2. Vérifiez l'absence de fuite sur le flexible ou le tuyau de gaz à l'aide d'un agent moussant, par exemple du savon.



AVERTISSEMENT ! Risque d'explosion

N'utilisez pas de flamme ou de liquide corrosif pour vérifier l'étanchéité de l'alimentation en gaz.

Montage de la plaque de cuisson et du four à gaz

1. Maintenez un dégagement suffisant par rapport aux murs et autres meubles (voir fig. **9**, page 10).

2. Montez la plaque de cuisson et le four à gaz comme indiqué sur les fig. **10** à fig. **11**, page 11.

Utilisation



AVERTISSEMENT ! Risque d'explosion

- Allumez les brûleurs dès que l'alimentation en gaz est ouverte. Dans le cas contraire, le gaz peut s'accumuler dans la zone du brûleur et provoquer une explosion.
- L'ensemble de la procédure d'allumage doit être visible depuis le dessus, sans être obstruée par des casseroles placées sur la plaque de cuisson.



AVIS ! Risque d'endommagement **Modèle CU351MK uniquement :**

N'utilisez pas le grill pendant plus de 25 minutes.



REMARQUE

- Pendant le fonctionnement de la plaque de cuisson et du four à gaz, un léger bruit causé par la diffusion du gaz se fait entendre.
- De la fumée peut se dégager lors de la première utilisation de la plaque de cuisson et du four à gaz. Celle-ci provient de la combustion des résidus d'huile machine et se dissipe après environ 10 minutes.
- **Modèle CU351MK uniquement :** Le grill ne doit pas être utilisé comme four.
- Lors de l'utilisation de gaz propane (G31), la flamme est bleue sans pics jaunes.
- Lors de l'utilisation de gaz butane (G30), la flamme est bleue avec des pics jaunes lorsqu'elle est allumée. Les pics jaunes deviennent plus intenses lorsque le brûleur chauffe.

Allumage des brûleurs

- Allumez la plaque de cuisson comme indiqué fig. **12 (1)** page 12 et fig. **13**, page 13.

- **Modèle CU351MK uniquement :** Allumez le grill comme indiqué fig. **12 (2)** page 12 et fig. **14**, page 14.

- Allumez le four comme indiqué fig. **12 (3)** page 12 et fig. **15**, page 15.

Réglage des brûleurs



AVIS ! Risque d'endommagement

Assurez-vous que la lèchefrite, la grille du four et les plats n'entrent pas en contact avec les flammes à l'intérieur du four.



REMARQUE

- Après avoir allumé le four pour la première fois, laissez-le à la température la plus élevée pendant au moins 30 minutes avant de le régler.
- Après avoir allumé la plaque de cuisson pour la première fois, laissez le brûleur correspondant sur la taille de flamme la plus élevée pendant 15 à 20 minutes avant de le régler.

- Positionnez le bouton de réglage de la température correspondant sur la température ou la taille de flamme souhaitée (voir chapitre « Boutons de réglage de la température », page 45 et chapitre « Plages de températures du four », page 45).

- ✓ Lorsque le brûleur du four est allumé, la taille de flamme la plus élevée est maintenue. Lorsque le four atteint la température définie, la flamme est automatiquement réduite.

Utilisation de la plaque de cuisson



AVERTISSEMENT ! Risque d'incendie

La flamme ne doit pas dépasser le bord des ustensiles de cuisine. Centrez l'ustensile de cuisine sur le brûleur et placez-le de manière stable sur le support de casseroles.

- Veillez à utiliser des ustensiles de cuisine adaptés. Respectez le diamètre des brûleurs de la plaque de cuisson et des ustensiles de cuisine :

Diamètre des brû- leurs de la plaque de cuisson	Diamètre de l'ustensile de cuisson
Ø 62 mm	16 – 22 cm
Ø 77 mm	16 – 22 cm

- Fixez les ustensiles de cuisine sur le support de casseroles à l'aide des pattes de maintien (voir fig. 16, page 16).

Utilisation du grill (CU351MK uniquement)



ATTENTION ! Risque de brûlures

- Déployez l'écran thermique pour éviter que les boutons de réglage de la température ne chauffent lors de l'utilisation du grill.
- L'écran thermique est très chaud pendant et après l'utilisation du grill. Mettez des gants de protection avant de toucher l'écran thermique.

- Utilisez l'écran thermique comme illustré à la fig. 17, page 16.

Arrêt de la plaque de cuisson et du four à gaz

- Éteignez la plaque de cuisson et le four à gaz comme illustré à la fig. 18, page 17.

Économie d'énergie

- Éteignez la plaque de cuisson et le four à gaz après utilisation (voir chapitre « Arrêt de la plaque de cuisson et du four à gaz », page 48).
- Fermez la porte du four pendant l'utilisation du four.

Nettoyage et entretien



AVERTISSEMENT ! Risque d'explosion

N'utilisez pas de flamme ou de liquide corrosif pour vérifier l'étanchéité de l'alimentation en gaz.



ATTENTION ! Risque de brûlures

La plaque de cuisson et le four à gaz sont très chauds pendant et après le fonctionnement. Éteignez la plaque de cuisson et le four à gaz. Laissez la plaque de cuisson et le four à gaz refroidir avant de les nettoyer, de les emballer ou de les transporter.



AVIS ! Risque d'endommagement

- N'utilisez pas de produits de nettoyage abrasifs, corrosifs, chlorés ou de brosses à poils durs pour nettoyer la plaque de cuisson et le four à gaz.
- N'utilisez pas de nettoyeur à vapeur.
- N'utilisez pas d'air comprimé pour nettoyer le circuit de gaz.
- Retirez les résidus de vinaigre, de sel, d'acide citrique ou toute autre substance acide ou alcaline de la plaque de cuisson et du four à gaz.

- Nettoyez la plaque de cuisson et le four à gaz à l'aide d'un chiffon humide et de produits de nettoyage neutres (fig. 19, page 17).
- Nettoyez le brûleur du four à l'eau comme indiqué à la fig. 20, page 18.
- Pour nettoyer ou remplacer les injecteurs de gaz, contactez un centre de service agréé.

Entretien des brûleurs



AVERTISSEMENT ! Risque d'incendie

Les araignées peuvent tisser des toiles et les insectes peuvent faire des nids à l'intérieur des brûleurs. Les toiles et les nids peuvent obstruer le flux de gaz et provoquer un incendie. Retirez tous les insectes, araignées, nids ou toiles à l'intérieur du brûleur.

1. Vérifiez l'absence de toiles et de nids dans les brûleurs deux fois par mois.
2. Si nécessaire, retirez les insectes, les araignées, les nids et les toiles à l'intérieur du brûleur.

Remplacement de la bouteille de gaz



AVERTISSEMENT ! Risque pour la santé

- Remplacez la bouteille de gaz dans un espace bien aéré.
- Veillez à ce qu'il n'y ait pas de flamme nue à proximité.
- Remplacez uniquement la bouteille de gaz lorsque la plaque de cuisson et le four à gaz sont éteints.

1. Fermez le robinet de la bouteille de gaz.
2. Déconnectez le régulateur de débit de la bouteille de gaz.
3. Si un flexible de gaz est utilisé, assurez-vous qu'il n'est pas défectueux.
4. Si nécessaire, remplacez le flexible (voir chapitre « Remplacement du flexible », page 49).
5. Vissez le régulateur sur la nouvelle bouteille de gaz à la main.

Remplacement du flexible



AVERTISSEMENT ! Risque pour la santé

- Remplacez le flexible dans un endroit bien ventilé.
- Veillez à ce qu'il n'y ait pas de flamme nue à proximité.
- Remplacez uniquement le flexible lorsque la plaque de cuisson et le four à gaz sont éteints.

1. Fermez le robinet de la bouteille de gaz.
2. Déconnectez le régulateur de débit de la bouteille de gaz.
3. Remplacez le flexible de gaz.
4. Vissez le régulateur sur la nouvelle bouteille de gaz à la main.
5. Vérifiez l'absence de fuite sur le flexible de gaz à l'aide d'un agent moussant, par exemple du savon.

Stockage



AVERTISSEMENT ! Risque de brûlures

La plaque de cuisson et le four à gaz sont très chauds pendant et après le fonctionnement. Éteignez la plaque de cuisson et le four à gaz. Laissez la plaque de cuisson et le four à gaz refroidir avant de les emballer ou de les transporter.

1. Fermez le robinet de la bouteille de gaz.
2. Nettoyez la plaque de cuisson et le four à gaz (voir chapitre « Nettoyage et entretien », page 48).

Dépannage

Panne	Cause possible	Solution
L'appareil ne s'allume pas.	Le gaz utilisé n'est pas approprié.	<ul style="list-style-type: none">▶ Veillez à utiliser suffisamment de gaz. Respectez les spécifications de régulation du gaz pour la plaque de cuisson et le four à gaz indiquées sur la plaque signalétique et les spécifications fournies dans le chapitre « Caractéristiques techniques », page 52.▶ Si nécessaire, remplacez la bouteille de gaz (voir chapitre « Remplacement de la bouteille de gaz », page 49).
	La bouteille de gaz est vide.	<ul style="list-style-type: none">▶ Remplacez la bouteille de gaz (voir chapitre « Remplacement de la bouteille de gaz », page 49).
	Le flexible est défectueux.	<ul style="list-style-type: none">▶ Remplacez le flexible (voir chapitre « Remplacement du flexible », page 49).
	L'appareil présente un dysfonctionnement ou les raccords sont incorrects.	<ul style="list-style-type: none">▶ Reconnectez le tuyau ou le flexible (chapitre « Raccordement à la bouteille de gaz », page 46).▶ Si nécessaire, coupez l'alimentation en gaz et contactez un agent de service agréé.
	Le thermocouple est défectueux.	<ul style="list-style-type: none">▶ Coupez l'alimentation en gaz et contactez un agent de service agréé.
	La plaque de cuisson et le four à gaz sont défectueux.	
Les brûleurs de la plaque de cuisson ne s'allument pas.	Aucune étincelle ne se produit.	<ul style="list-style-type: none">▶ Positionnez le bouton de réglage de la flamme du brûleur correspondant de la plaque de cuisson sur le niveau le plus bas et allumez-le (voir chapitre « Allumage des brûleurs », page 47).

Panne	Cause possible	Solution
Le four ne s'allume pas.	Aucune étincelle ne se produit.	<ul style="list-style-type: none"> ➤ Éteignez le four pendant 1 minute. ➤ Allumez le four (voir chapitre « Réglage des brûleurs », page 47).
Modèle CU351MK uniquement : Le grill ne s'allume pas.	Aucune étincelle ne se produit.	<ul style="list-style-type: none"> ➤ Éteignez le grill pendant 1 minute. ➤ Allumez le grill (voir chapitre « Utilisation de la plaque de cuisson », page 47).

Garantie

La période de garantie légale s'applique. Si le produit est défectueux, contactez votre revendeur ou la filiale locale du fabricant (voir dometic.com/dealer).

Pour toutes réparations ou autres prestations de garantie, veuillez joindre au produit les documents suivants :

- une copie de la facture avec la date d'achat
- un motif de réclamation ou une description du dysfonctionnement


Notez que toute réparation effectuée par une personne non agréée peut présenter un risque de sécurité et annuler la garantie.

Mise au rebut



- Dans la mesure du possible, jetez les emballages dans les conteneurs de déchets recyclables prévus à cet effet.
- Pour éliminer définitivement le produit, contactez le centre de recyclage le plus proche ou votre revendeur spécialisé afin de vous informer sur les dispositions relatives au retraitement des déchets.

Caractéristiques techniques

	CU351MK	CU354MK
Puissance nominale totale	6,4 kW, 466 g/h	5,1 kW, 371 g/h
Puissance nominale du four	1,1 kW, 89 g/h	
Puissance nominale du grill	1,3 kW, 95 g/h	–
Puissance nominale de la plaque de cuisson Brûleur gauche Brûleur droit	2,2 kW, 160 g/h 1,8 kW, 131 g/h	
Volume d'air de combustion	12,8 m ³ /h	10,2 m ³ /h
Pression de raccordement	fig. 6 , page 8	
Dimensions (H x l x P)	508 x 450 x 358 mm	398 x 449 x 357 mm
Poids	18,50 kg	15,50 kg
Dimensions des brûleurs de la plaque de cuisson Brûleur gauche Brûleur droit	Ø 62 mm Ø 70 mm	
Certifications		

Lea atentamente estas instrucciones y siga las indicaciones, directrices y advertencias incluidas en este manual para asegurarse de que instala, usa y mantiene correctamente el producto en todo momento. Estas instrucciones DEBEN permanecer con este producto.

Al usar el producto, usted confirma que ha leído cuidadosamente todas las instrucciones, directrices y advertencias, y que entiende y acepta cumplir los términos y condiciones aquí establecidos. Usted se compromete a usar este producto solo para el propósito y la aplicación previstos y de acuerdo con las instrucciones, directrices y advertencias establecidas en este manual del producto, así como de acuerdo con todas las leyes y reglamentos aplicables. La no lectura e incumplimiento de las instrucciones y advertencias aquí expuestas puede causarles lesiones a usted o a terceros, daños en el producto o daños en otras propiedades cercanas. Este manual del producto, incluyendo las instrucciones, directrices y advertencias, y la documentación relacionada, pueden estar sujetos a cambios y actualizaciones. Para obtener información actualizada sobre el producto, visite la página documents.domestic.com.

Índice

Explicación de los símbolos	53
Indicaciones de seguridad	53
Volumen de entrega	56
Personal al que va dirigido el manual	56
Uso previsto	56
Descripción técnica	56
Instalación	57
Funcionamiento	58
Ahorro de energía	60
Limpieza y cuidado	60
Almacenamiento	61
Solución de problemas	62
Garantía	63
Eliminación	63
Datos técnicos	64

Explicación de los símbolos



¡ADVERTENCIA!
Información de seguridad: Indica una situación peligrosa que, de no evitarse, puede ocasionar la muerte o lesiones graves.



¡ATENCIÓN!
Información de seguridad: Indica una situación peligrosa que, de no evitarse, puede ocasionar o lesiones moderadas o leves.



¡AVISO!
 Indica una situación peligrosa que, de no evitarse, puede provocar daños materiales.



NOTA
 Información adicional para el manejo del producto.

Indicaciones de seguridad

Notas preliminares

- Antes de la instalación, asegúrese de que las condiciones locales de distribución (características y presión del gas) y el ajuste del aparato sean compatibles.
- Las condiciones de ajuste de este aparato están indicadas en la etiqueta (o placa de características).
- Este aparato no está conectado a ningún dispositivo de evacuación de productos de combustión. Debe ser instalado y conectado siguiendo la normativa vigente. Preste especial atención a los requisitos pertinentes en materia de ventilación.

Seguridad general



¡ADVERTENCIA! El incumplimiento de estas advertencias podría acarrear la muerte o lesiones graves.

Peligro de explosión

- Solo el personal cualificado podrá realizar reparaciones en el aparato. Las reparaciones realizadas incorrectamente pueden generar situaciones de considerable peligro.
- Este aparato debe instalarse de acuerdo con las normativas nacionales vigentes en el país de uso.
- Este aparato solo se debe usar en un espacio bien ventilado.
- Lea las instrucciones antes de instalar o utilizar este aparato.
- No modifique el aparato.

- No retire ni sustituya ninguna pieza de este aparato.
- La manguera de gas debe cambiarse si así lo exige la normativa nacional.
- No retuerza, estire, pellizque ni aplique ninguna otra carga a la manguera de suministro de gas.



¡AVISO! Peligro de daños

- Si el aparato dispone de una tapa de vidrio:
 - Cierre la tapa de vidrio antes de iniciar cualquier desplazamiento.
 - Antes de cerrar la tapa de vidrio, apague todas los quemadores.

Peligro de incendio

- No deje este aparato sin vigilancia cuando esté caliente o en uso.
- Controle a los niños para asegurarse de que no jueguen con el aparato.
- Tenga a mano un extintor apropiado. Asegúrese de que el extintor es revisado periódicamente por personal capacitado.

Precauciones de seguridad al manipular gas licuado



¡ADVERTENCIA! El incumplimiento de estas advertencias podría acarrear la muerte o lesiones graves.

Peligro de explosión

- Después de su uso, desconecte siempre la bomba de gas licuado.
- Guarde las bombonas de gas licuado lejos de los aparatos de calefacción o cocina y de otras fuentes de luz o calor, en un lugar bien ventilado y fuera del alcance de los niños.
- **Nunca** guarde bombonas de gas licuado en lugares sin ventilación ni bajo el nivel del suelo (agujeros en forma de embudo realizados en el suelo).
- **Nunca** guarde bombonas de gas licuado en edificios como garajes.
- Cualquier almacenamiento interior debe cumplir con la normativa nacional.
- No guarde bombonas de gas licuado tumbadas.
- Proteja las bombonas de gas licuado de la luz solar directa. La temperatura no debe superar los 50 °C.

Peligro de quemaduras

- Mantenga las manos, la cara y el pelo alejados de los quemadores.
- No lleve ropa suelta y lleve el pelo recogido cuando encienda o utilice este aparato.
- Mantenga a niños y mascotas alejados del aparato.
- Controle atentamente la actividad alrededor de este aparato para evitar quemaduras u otras lesiones.
- No mueva el aparato mientras está funcionando.

Riesgo para la salud

- Este aparato puede ser utilizado por menores a partir de 8 años y personas con capacidad física, sensorial o mental reducida, o con falta de experiencia y conocimientos, siempre que lo hagan bajo supervisión o hayan recibido instrucciones relativas al uso del mismo de manera segura y entendiendo los riesgos asociados.
- Controle a los niños para asegurarse de que no jueguen con el aparato.



¡ATENCIÓN! El incumplimiento de estas precauciones podría acarrear lesiones moderadas o leves.

Peligro de lesiones

- Si el aparato dispone de una tapa de vidrio, en caso de rotura:
 - Apague inmediatamente todos los quemadores y cualquier elemento calefactor eléctrico y aisle el dispositivo de la fuente de alimentación.
 - No toque la superficie del aparato.
 - No utilice el aparato.

Uso seguro del aparato



¡PELIGRO! La no observación de estas instrucciones puede causar heridas fatales o severas.

Peligro de intoxicación por monóxido de carbono

- El proceso de combustión del gas licuado produce monóxido de carbono que se acumula en los espacios cerrados. Use solo este aparato en espacios suficientemente ventilados.

Riesgo de asfixia

- El uso de este aparato en un entorno sin ventilación reduce la cantidad de oxígeno de ese entorno.
- No utilice el aparato como estufa.
- El uso de un aparato de cocina a gas emite calor, humedad y productos derivados de la combustión en la sala donde está instalado.
 - Asegúrese que la cocina esté bien ventilada, en especial cuando se está usando el aparato.
 - Deje abiertos los orificios de ventilación natural o instale un dispositivo mecánico de ventilación (p. ej., una campana extractora).
- En caso de uso prolongado del aparato, puede ser necesaria una ventilación adicional, por ejemplo abriendo una ventana, o una ventilación más efectiva, por ejemplo aumentando el nivel de ventilación mecánica en caso de disponer de ella.



¡ADVERTENCIA! El incumplimiento de estas advertencias podría acarrear la muerte o lesiones graves.

Peligro de explosión

- No utilice este aparato si tiene fugas, está dañado o no funciona correctamente.
- No utilice nunca el aparato en las situaciones siguientes:
 - En gasolineras
 - En transbordadores
 - Mientras transporta la caravana o la autocaravana con un vehículo tractor o una grúa
- En caso de incendio, cierre el suministro de gas.
- No coloque productos químicos, materiales inflamables ni aerosoles de espray cerca de este aparato.
- Nunca utilice nunca una llama para comprobar la existencia de fugas de gas.
- En caso de olor a gas:
 - No intente encender este aparato.
 - Apague cualquier llama existente.
 - Cierre el suministro de gas.
 - Desconecte el aparato del suministro de gas.
 - Cuando utilice el dispositivo en interiores, abra las ventanillas y evacue el vehículo.
 - Solicite que una empresa especializada compruebe la instalación de gas.
- Coloque o extraiga la bombona de gas únicamente al aire libre, lejos de llamas encendidas, indicadores luminosos u otras fuentes de ignición, y solo cuando el aparato esté frío al tacto.

- Compruebe que la junta entre el aparato y la bombona de gas esté bien colocada y en buen estado antes de utilizar la bombona.
- No utilice este aparato si la junta está dañada o desgastada.
- Cierre la llave de suministro en el contenedor de gas después de cada uso.

Peligro de incendio

- Este aparato debe mantenerse alejado de materiales inflamables durante su uso.
- No coloque encima de este aparato o en contacto con él ningún objeto distinto de ollas, sartenes u otros recipientes para cocinar.
- No coloque este aparato cerca de materiales inflamables (papel, hojas secas, materiales textiles, etc.).
- Mantenga los objetos inflamables lejos del quemador.
- Coloque las asas de los utensilios para cocinar tal como se indica a continuación:
 - No deje nunca que las asas de los recipientes para cocinar sobresalgan más allá del borde del aparato.
 - Gire las asas de los recipientes para cocinar hacia adentro, pero sin que queden encima de otros quemadores.
- No cocine con excesivo aceite o grasa.
- Use siempre manoplas o agarraderas secas para manipular las ollas o sartenes calientes.
- Apague el dispositivo antes de retirar las ollas o sartenes.
- Utilice este aparato siempre bajo la supervisión de un adulto.

Peligro de quemaduras

- Las piezas accesibles pueden estar muy calientes. Mantenga a los niños alejados.



¡ATENCIÓN! El incumplimiento de estas precauciones podría acarrear lesiones moderadas o leves.

Peligro de quemaduras

- Utilice guantes protectores cuando manipule las partes calientes.
- Deje que el dispositivo se enfríe antes de tocarlo directamente con las manos.
- Al encender manualmente un quemador:
 - Utilice cerillas largas o un encendedor adecuado.
 - Retire la mano rápidamente en cuanto se haya encendido el quemador.

- El consumo de alcohol o medicamentos con o sin receta puede alterar su capacidad para montar correctamente o manejar con seguridad este producto.



¡AVISO! Peligro de daños

- No utilice ningún temporizador externo ni sistema de control remoto.

Volumen de entrega

N.º en fig. 1, página 3	Componente	Cantidad
1	Soporte para los recipientes de cocinar	1
2	Bandeja para hornear	1
3	Parrilla del horno	1
4	Placa de cocina con horno de gas	1
5	Soporte de montaje	2

Personal al que va dirigido el manual



El montaje e instalación de la conexión de gas debe ser realizado por una persona cualificada que tenga capacidad demostrada y conocimientos relacionados con la construcción, instalación y funcionamiento de aparatos de gas, y que haya recibido formación en materia de seguridad para identificar y evitar los peligros asociados.

Uso previsto

La placa de cocina con horno de gas está diseñada para cocinar y hornear alimentos.

Solo CU351MK: La placa de cocina con horno de gas también está diseñada opcionalmente para gratinar alimentos.

La placa de cocina con horno de gas está diseñada únicamente para el uso náutico y en embarcaciones. Para su uso en espacios cerrados, deben cumplirse los requisitos indicados en la fig. 5, página 7. En los casos con 3 paredes, el 30 % de la superficie de pared debe estar abierta y sin obstáculos.

La placa de cocina con horno de gas **no está** diseñada para ser utilizada en cubiertas de embarcación, vehículos o edificios.

Este producto solo es apto para el uso y la aplicación previstos de acuerdo con estas instrucciones.

Este manual proporciona la información necesaria para la correcta instalación y/o funcionamiento del producto. Una instalación deficiente y/o un uso y mantenimiento inadecuados conllevan un rendimiento insatisfactorio y posibles fallos.

El fabricante no se hace responsable de ninguna lesión o daño en el producto ocasionados por:

- Un montaje o conexión incorrectos, incluido un exceso de tensión
- Un mantenimiento incorrecto o el uso de piezas de repuesto distintas de las originales proporcionadas por el fabricante
- Modificaciones realizadas en el producto sin el expreso consentimiento del fabricante
- Uso con una finalidad distinta de la descrita en las instrucciones

Kampa se reserva el derecho de cambiar la apariencia y las especificaciones del producto.

Descripción técnica

La placa de cocina con horno de gas puede cocinar y hornear.

Solo CU351MK: La placa de cocina con horno de gas puede opcionalmente gratinar.

La placa de cocina con horno de gas está fijada con soportes de montaje y un pasador que garantizan que el aparato no se mueva a causa del oleaje. El aparato está equipado con un soporte para que los recipientes de cocinar queden apoyados de forma segura sobre la placa de cocina y no se deslicen durante el oleaje.

La placa de cocina con horno de gas debe estar conectada a una bombona de gas.

CU354MK

N.º en fig. 2 , página 4	Componente
1	Soporte para los recipientes de cocinar
2	Regulador de temperatura del horno
3	Parrilla del horno
4	Bandeja de hornear
5	Puerta del horno
6	Regulador del quemador derecho de la placa de cocina
7	Regulador del quemador izquierdo de la placa de cocina

CU351MK

N.º en fig. 3 , página 5	Componente
1	Soporte para los recipientes de cocinar
2	Regulador de temperatura del horno
3	Regulador de temperatura del gratinador
4	Gratinador
5	Bandeja para hornear
6	Parrilla del horno
7	Puerta del horno
8	Regulador del quemador derecho de la placa de cocina
9	Regulador del quemador izquierdo de la placa de cocina

Reguladores de temperatura

La temperatura del horno y el tamaño de la llama de los quemadores se pueden regular (fig. **4**, página 6).

Rangos de temperatura del horno

Posición	1	2	3
Temperatura	130 °C	160 °C	180 °C

Posición	4	5	6
Temperatura	200 °C	220 °C	240 °C

Instalación



¡ADVERTENCIA! Peligro de explosión

- Antes de instalar la placa de cocina con horno de gas asegúrese de que la calidad y la presión del gas y los reguladores de la bombona sean compatibles con la placa de cocina con horno de gas. Tenga en cuenta las especificaciones normativas que aparecen en la placa de características para la placa de cocina con horno de gas, así como las indicaciones del capítulo "Datos técnicos" en la página 64.
- La placa de cocina con horno de gas no está conectada a una campana extractora. Instale la placa de cocina con horno de gas de acuerdo con las normativas de instalación aplicables.

Elección del lugar de instalación

Al seleccionar la ubicación para la instalación de la placa de cocina con horno de gas, tenga en cuenta las siguientes indicaciones:

- Coloque la placa de cocina con horno de gas al aire libre o en un espacio cerrado que cumpla los requisitos que se muestran en la fig. **5**, página 7.
- La ubicación tiene que estar bien ventilada.
- No coloque la placa de cocina con horno de gas en un lugar profundo donde se puedan acumular gases.
- Mantenga la placa de cocina con horno de gas protegida del viento y las corrientes directas de aire.
- El suelo debe ser firme, horizontal y estable.

- La carcasa y la caja del gratinador se calientan mucho cuando están en funcionamiento. La placa de cocina con horno de gas debe estar colocada sobre una base que pueda soportar un calor de al menos 80 °C.

Conexión a la bombona de gas

La placa de cocina con horno de gas funciona con bombonas de gas comerciales disponibles en el país donde se utiliza (fig. **6**, página 8).

La bombona de gas debe cumplir las siguientes condiciones:

- La bombona de gas debe colocarse siempre en el compartimento destinado para ella.
- La bombona de gas debe estar siempre en posición vertical.
- La bombona de gas debe estar equipada con un regulador de presión de fácil acceso y que no esté cubierto.

El suministro de gas conectado al aparato debe ser un tubo de metal rígido con juntas selladas. Si se utiliza una manguera flexible, se deben cumplir las siguientes condiciones:

- La manguera debe ser fácilmente accesible para la inspección.
- La manguera no debe estar en contacto con otras piezas que se calienten.
- La manguera debe estar protegida contra posibles daños.
- La manguera se debe proteger para que no quede atrapada por piezas móviles, como cajones.
- La manguera no debe tener una longitud superior a 1,5 metros.
- La manguera debe sustituirse antes de su fecha de caducidad.

1. Conecte el tubo o la manguera de la bombona de gas a la placa de cocina con horno de gas (fig. **7** a fig. **8**, página 9).

La manguera debe apretarse con una llave adecuada, como una llave ajustable, para conseguir un sellado hermético del gas.

2. Compruebe si hay fugas en la manguera o el tubo de gas con un agente espumante, por ejemplo, jabón.



¡ADVERTENCIA! Peligro de explosión

No utilice llamas ni líquidos corrosivos para comprobar si hay fugas en el suministro de gas.

Montaje de la placa de cocina con horno de gas

1. Asegúrese de que haya suficiente distancia con las paredes y otros armarios (véase fig. **9**, página 10).
2. Monte la placa de cocina con horno de gas tal como se muestra en fig. **10** a fig. **11**, página 11.

Funcionamiento



¡ADVERTENCIA! Peligro de explosión

- Encienda los quemadores tan pronto como abra el gas. De lo contrario, puede acumularse gas en la zona del quemador y producirse una explosión.
- El proceso completo de encendido tiene que ser visible desde arriba y no puede estar tapado por cazuelas o sartenes.



¡AVISO! Peligro de daños

Solo CU351MK: No utilice el gratinador durante más de 25 minutos.



NOTA

- Durante el funcionamiento de la placa de cocina con horno de gas se puede oír un ruido suave causado por la salida del gas.
- Puede generarse humo al utilizar la placa de cocina con horno de gas por primera vez. Esto es debido a la combustión de los restos de aceite de maquinaria y desaparece al cabo de 10 minutos, aproximadamente.
- **Solo CU351MK:** El gratinador no se puede utilizar como horno.
- Cuando se utiliza gas propano (G31), la llama es de color azul sin puntas amarillas.
- Cuando se utiliza gas butano (G30), la llama es de color azul con puntas amarillas cuando se enciende. Las puntas amarillas se vuelven más intensas cuando se calienta el quemador.

Encendido de los quemadores

- Encienda la placa de cocina tal como se muestra en fig. **12 (1)** página 12 y fig. **13**, página 13.
- **Solo CU351MK:** Encienda el gratinador tal como se muestra en fig. **12 (2)** página 12 y fig. **14**, página 14.
- Encienda el horno tal como se muestra en fig. **12 (3)** página 12 y fig. **15**, página 15.

Ajuste de los quemadores



¡AVISO! Peligro de daños

Asegúrese de que la bandeja de hornear, la rejilla y los recipientes para cocinar no entren en contacto con las llamas del interior del horno.



NOTA

- Después de encender el horno por primera vez, déjelo a la temperatura más alta durante al menos 30 minutos antes de ajustarlo al nivel deseado.
- Después de encender la placa de cocina por primera vez, deje que la llama del quemador arda al máximo nivel entre 15 y 20 minutos antes de ajustarlo al nivel deseado.

- Ajuste el regulador correspondiente a la temperatura o al tamaño de llama deseados (véase capítulo “Reguladores de temperatura” en la página 57 y capítulo “Rangos de temperatura del horno” en la página 57).
- ✓ Cuando se enciende el quemador del horno, la llama permanece en la máxima potencia. Cuando el horno alcanza la temperatura ajustada, la llama se reduce automáticamente.

Uso de la placa de cocina



¡ADVERTENCIA! Peligro de incendio

La llama no debe sobresalir del borde del recipiente de cocinar. Centre el recipiente de cocinar sobre el quemador y asegúrelo con el soporte de recipientes de cocinar.

- Asegúrese de utilizar ropa adecuada para cocinar. Tenga en cuenta los diámetros de los quemadores de la placa y del recipiente de cocinar:

Diámetro del quemador	Diámetro del recipiente
Ø 62 mm	16 – 22 cm
Ø 77 mm	16 – 22 cm

- Asegure el recipiente en el soporte con los reguladores correspondientes (véase fig. **16**, página 16).

Uso del gratinador (solo modelo CU351MK)



¡ATENCIÓN! Peligro de quemaduras

- Extraiga el protector térmico para que el gratinador no caliente los reguladores.
 - El protector térmico está muy caliente durante y después de utilizar el gratinador. Utilice guantes de protección cuando toque el protector térmico.
- Utilice el protector térmico tal como se muestra en la fig. **17**, página 16.

Apagado de la placa de cocina con horno de gas

- Apague la placa de cocina con horno de gas tal como se muestra en la fig. **18**, página 17.

Ahorro de energía

- Apague la placa de cocina con horno de gas después de su uso (véase capítulo "Apagado de la placa de cocina con horno de gas" en la página 60).
- Cierre la puerta del horno mientras lo utiliza.

Limpieza y cuidado



¡ADVERTENCIA! Peligro de explosión

No utilice llamas ni líquidos corrosivos para comprobar si hay fugas en el suministro de gas.



¡ATENCIÓN! Peligro de quemaduras

La placa de cocina con horno de gas está muy caliente durante y después de su funcionamiento. Apague la placa de cocina con horno de gas. Deje que la placa de cocina con horno de gas se enfríe antes de limpiarla, embalarla o transportarla.



¡AVISO! Peligro de daños

- No utilice cepillos ni productos de limpieza abrasivos, corrosivos, clorados o ásperos para limpiar la placa de cocina con horno de gas.
- No utilice limpiadores de vapor.
- No utilice aire comprimido para limpiar el circuito de gas.
- Retire los restos de vinagre, sal, ácido cítrico u otras sustancias ácidas o alcalinas de la placa de cocina con horno de gas.

- Limpie la placa de cocina con horno de gas con un paño húmedo y productos de limpieza neutros (fig. **19**, página 17).

- Limpie el quemador del horno con agua tal como se muestra en la fig. **20**, página 18.

- Para limpiar o sustituir los inyectores de gas, póngase en contacto con un centro de servicio autorizado.

Mantenimiento de los quemadores



¡ADVERTENCIA! Peligro de incendio

El interior de los quemadores es un lugar donde pueden aparecer telarañas o nidos de insectos. Las telarañas y los nidos pueden obstruir el flujo de gas y provocar un incendio. Elimine los insectos, arañas, nidos o telarañas que pueda haber en el interior de los quemadores.

1. Revise los quemadores dos veces al mes para ver si hay telarañas o nidos.
2. Si es necesario, elimine los insectos, arañas, nidos o telarañas que pueda haber en el interior de los quemadores.

Sustitución de la bombona de gas



¡ADVERTENCIA! Riesgo para la salud

- Sustituya la bombona de gas en un lugar bien ventilado.
- Asegúrese de que no haya llamas encendidas en las inmediaciones.
- Antes de sustituir la bombona de gas, apague la placa de cocina con horno de gas.

1. Cierre la válvula de la bombona de gas.
2. Desconecte el regulador de la bombona de gas.
3. Si se utiliza una manguera de gas, asegúrese de que no esté defectuosa.
4. Si es necesario, sustituya la manguera (véase capítulo "Sustitución de la manguera" en la página 60).
5. Enrosque manualmente el regulador en la nueva bombona de gas.

Sustitución de la manguera



¡ADVERTENCIA! Riesgo para la salud

- Sustituya la manguera en una zona bien ventilada.
- Asegúrese de que no haya llamas encendidas en las inmediaciones.
- Antes de sustituir la manguera, apague la placa de cocina con horno de gas.

1. Cierre la válvula de la bombona de gas.
2. Desconecte el regulador de la bombona de gas.
3. Sustituya la manguera de gas.
4. Enrosque manualmente el regulador en la bombona de gas.
5. Compruebe si hay fugas en la manguera de gas con un agente espumante, por ejemplo, jabón.

Almacenamiento



¡ADVERTENCIA! Peligro de quemaduras

La placa de cocina con horno de gas está muy caliente durante y después de su funcionamiento. Apague la placa de cocina con horno de gas. Deje que la placa de cocina con horno de gas se enfríe antes de embalarla o transportarla.

1. Cierre la válvula de la bombona de gas.
2. Limpie la placa de cocina con horno de gas (véase capítulo "Limpieza y cuidado" en la página 60).

Solución de problemas

Fallo	Posible causa	Solución
El aparato no se enciende.	El gas utilizado no es el adecuado.	<ul style="list-style-type: none">▶ Asegúrese de utilizar suficiente gas. Tenga en cuenta las especificaciones normativas que aparecen en la placa de características para la placa de cocina con horno de gas, así como las indicaciones del capítulo "Datos técnicos" en la página 64.▶ Si es necesario, sustituya la bombona de gas (consulte capítulo "Sustitución de la bombona de gas" en la página 60).
	La bombona de gas está vacía.	<ul style="list-style-type: none">▶ Sustituya la bombona de gas (véase capítulo "Sustitución de la bombona de gas" en la página 60).
	La manguera está defectuosa.	<ul style="list-style-type: none">▶ Sustituya la manguera (véase capítulo "Sustitución de la manguera" en la página 60).
	Hay una avería o conexiones defectuosas.	<ul style="list-style-type: none">▶ Vuelva a conectar el tubo o la manguera (capítulo "Conexión a la bombona de gas" en la página 58).▶ Si es necesario, desconecte el suministro de gas y póngase en contacto con un técnico de mantenimiento autorizado.
	El termpoar está averiado.	<ul style="list-style-type: none">▶ Desconecte el suministro de gas y póngase en contacto con un técnico de mantenimiento autorizado.
	La placa de cocina con horno de gas está averiada.	
Los quemadores de la placa no se encienden.	No hay chispa presente.	<ul style="list-style-type: none">▶ Sitúe el regulador del quemador correspondiente en el nivel más bajo y encienda el quemador (véase capítulo "Encendido de los quemadores" en la página 59).

Fallo	Posible causa	Solución
El horno no se enciende.	No hay chispa presente.	<ul style="list-style-type: none"> ▶ Apague el horno durante 1 minuto. ▶ Encienda el horno (véase capítulo "Ajuste de los quemadores" en la página 59).
Solo CU351MK: El gratinador no se enciende.	No hay chispa presente.	<ul style="list-style-type: none"> ▶ Apague el gratinador durante 1 minuto. ▶ Encienda el gratinador (véase capítulo "Uso de la placa de cocina" en la página 59).

Garantía

Se aplica el período de garantía estipulado por la ley. Si el producto está defectuoso, contacte con el punto de venta o con la sucursal del fabricante en su país (visite dometic.com/dealer).

Para tramitar la reparación y la garantía, incluya los siguientes documentos cuando envíe el producto:

- Una copia de la factura con fecha de compra
- El motivo de la reclamación o una descripción de la avería


Tenga en cuenta que una reparación por medios propios o no profesionales puede tener consecuencias de seguridad y suponer la anulación de la garantía.

Eliminación



- ▶ Si es posible, deseche el material de embalaje en el contenedor de reciclaje adecuado.
- ▶ Consultar con un punto limpio o con un distribuidor especializado para obtener más información sobre cómo eliminar el producto de acuerdo con las normativas aplicables de eliminación.

Datos técnicos

	CU351MK	CU354MK
Potencia nominal total	6,4 kW, 466 g/h	5,1 kW, 371 g/h
Potencia nominal del horno	1,1 kW, 89 g/h	
Potencia nominal del gratinador	1,3 kW, 95 g/h	-
Potencia nominal de la placa de cocina Quemador izquierdo Quemador derecho	2,2 kW, 160 g/h 1,8 kW, 131 g/h	
Volumen de aire de combustión	12,8 m ³ /h	10,2 m ³ /h
Presión de la conexión	fig. 6 , página 8	
Dimensiones (Al x An x P)	508 x 450 x 358 mm	398 x 449 x 357 mm
Peso	18,50 kg	15,50 kg
Dimensiones de los quemadores Quemador izquierdo Quemador derecho	Ø 62 mm Ø 70 mm	
Homologaciones		

Leia atentamente as presentes instruções e siga todas as instruções, orientações e avisos incluídos neste manual, de modo a garantir sempre a correta instalação, utilização e manutenção do produto. É OBRIGATÓRIO manter estas instruções junto com o produto.

Ao utilizar o produto, está a confirmar que leu atentamente todas as instruções, orientações e avisos, e que compreende e aceita cumprir os termos e condições estabelecidos no presente manual. Aceita utilizar este produto exclusivamente para o fim e a aplicação a que se destina e de acordo com as instruções, orientações e avisos estabelecidos neste manual, assim como de acordo com todas as leis e regulamentos aplicáveis. Caso não leia nem siga as instruções e os avisos aqui estabelecidos, poderá sofrer ferimentos pessoais ou causar ferimentos a terceiros e o produto ou outros materiais nas proximidades poderão ficar danificados. Este manual do produto, incluindo as instruções, orientações e avisos, bem como a documentação relacionada, podem estar sujeitos a alterações e atualizações. Para consultar as informações atualizadas do produto, visite documents.dometic.com.

Índice

Explicação dos símbolos	65
Indicações de segurança	65
Material fornecido	68
Destinatários	68
Utilização adequada	68
Descrição técnica	69
Instalação	70
Operação	71
Poupar energia	72
Limpeza e manutenção	72
Armazenar	73
Resolução de falhas	74
Garantia	75
Eliminação	75
Dados técnicos	75

Explicação dos símbolos



AVISO!

Indicação de segurança: indica uma situação perigosa que, se não for evitada, pode causar a morte ou ferimentos graves.



PRECAUÇÃO!

Indicação de segurança: indica uma situação perigosa que, se não for evitada, pode causar ferimentos ligeiros ou moderados.



NOTA!

Indica uma situação que, se não for evitada, pode causar danos materiais.



OBSERVAÇÃO

Informações suplementares para a utilização do produto.

Indicações de segurança

Notas preliminares

- Antes da instalação, assegure-se de que as condições locais de distribuição (natureza do gás e respetiva pressão) e o ajuste do aparelho são compatíveis.
- As condições de ajuste para este aparelho encontram-se indicadas na etiqueta (ou placa de características).
- Este aparelho não está ligado a um aparelho de evacuação de produtos de combustão. Por esse motivo, é necessário instalar e ligar um aparelho destes em conformidade com as normas de instalação atuais. Deve ser dada particular atenção aos requisitos pertinentes relativos à ventilação.

Princípios básicos de segurança



AVISO! O incumprimento destes avisos poderá resultar em morte ou ferimentos graves.

Perigo de explosão

- As reparações neste aparelho só podem ser realizadas por técnicos qualificados. Reparções inadequadas podem originar perigos graves.
- Este aparelho deve ser instalado de acordo com os regulamentos aplicáveis em vigor no país de utilização.
- Este aparelho deve ser utilizado exclusivamente num espaço bem ventilado.
- Leia as instruções antes de instalar ou utilizar este aparelho.
- Não efetue quaisquer modificações neste aparelho.

- Não remova nem substitua nenhum componente deste aparelho.
- Se os regulamentos nacionais o exigirem, o tubo de gás tem de ser substituído.
- Não torça, estique, entale ou sujeite a qualquer outra carga a mangueira do abastecimento de gás.

Perigo de incêndio

- Não deixe este aparelho sem supervisão enquanto estiver quente ou durante o seu funcionamento.
- As crianças têm de ser supervisionadas, por forma a garantir que não brincam com o aparelho.
- Tenha um extintor de incêndio adequado pronto a ser utilizado. Certifique-se de que o extintor é verificado por técnicos competentes a intervalos regulares.

Risco de queimaduras

- Mantenha as mãos, o rosto e o cabelo afastados de queimadores.
- Não utilize roupa larga e não deixe o cabelo solto quando acender ou utilizar este aparelho.
- Mantenha crianças e animais domésticos afastados.
- Monitorize com atenção todas as atividades realizadas nas proximidades deste aparelho, de modo a evitar queimaduras ou outros ferimentos.
- Não desloque o aparelho durante a utilização.

Risco para a saúde

- Este aparelho pode ser utilizado por crianças a partir dos 8 anos e pessoas com capacidades físicas, sensoriais ou mentais reduzidas ou sem experiência e conhecimento se forem supervisionadas ou receberem instruções sobre a utilização do aparelho de forma segura e compreenderem os perigos implicados.
- As crianças têm de ser supervisionadas, por forma a garantir que não brincam com o aparelho.



PRECAUÇÃO! O incumprimento destas advertências poderá resultar em ferimentos ligeiros ou moderados.

Risco de ferimentos

- Se o aparelho tiver uma tampa de vidro, caso esta se parta:
 - Desligue imediatamente todos os queimadores e todos os elementos de aquecimento elétrico e desconecte o aparelho da rede de corrente.
 - Não toque na superfície do aparelho.
 - Não utilize o aparelho.



NOTA! Risco de danos

- Se o aparelho tiver uma tampa de vidro:
 - Feche a tampa de vidro do aparelho antes de iniciar uma viagem.
 - Desligue todos os queimadores antes de fechar a tampa de vidro.

Medidas de segurança para o manuseio de gás liquefeito



AVISO! O incumprimento destes avisos poderá resultar em morte ou ferimentos graves.

Perigo de explosão

- Após a utilização, desconecte sempre a botija de gás liquefeito.
- Armazene as botijas de gás liquefeito longe de aparelhos de aquecimento ou de cozinha e de outras fontes de luz ou calor, colocando-as numa área bem ventilada e fora do alcance das crianças.
- **Nunca** guarde botijas de gás liquefeito em locais sem ventilação ou abaixo do nível do solo (cavidades no solo em forma de funil).
- **Nunca** armazene as botijas de gás liquefeito em edifícios como garagens.
- Qualquer tipo de armazenamento em espaços fechados deve respeitar os regulamentos aplicáveis no respetivo país.
- Não armazene as botijas de gás liquefeito deitadas de lado.
- Proteja as botijas de gás liquefeito da luz solar direta. A temperatura não deve exceder os 50 °C.

Utilização segura do aparelho



PERIGO! O incumprimento destas instruções provocará a morte ou ferimentos graves.

Risco de envenenamento por monóxido de carbono

- A queima de gás liquefeito produz monóxido de carbono, o qual, por sua vez, se acumula em áreas fechadas.
Utilize este aparelho apenas com ventilação suficiente.

Perigo de asfixia

- A operação deste aparelho num espaço não ventilado provoca insuficiência de oxigénio neste espaço.
- Não utilize o aparelho para aquecer espaços.
- Utilizar um aparelho de cozinha a gás resulta na formação de calor, humidade e produtos de combustão na divisão onde o aparelho está instalado.
 - Certifique-se de que a cozinha está bem ventilada, especialmente durante a utilização do aparelho.
 - Mantenha as aberturas de ventilação abertas ou instale um aparelho de ventilação mecânica (p. ex., um exaustor mecânico).
- A utilização intensiva prolongada do aparelho pode tornar necessária uma ventilação acrescida, por exemplo, abrindo uma janela ou recorrendo a um sistema de ventilação mais eficiente, como, por exemplo, aumentando o nível de ventilação mecânica, caso exista.



AVISO! O incumprimento destes avisos poderá resultar em morte ou ferimentos graves.

Perigo de explosão

- Não utilize este aparelho, se o mesmo apresentar fugas, danos ou não funcionar corretamente.
- Nunca utilize o aparelho nas situações seguintes:
 - em postos de abastecimento
 - em ferries
 - Durante o transporte da caravana ou da autocaravana num veículo de transporte ou de reboque
- Em caso de incêndio, desligue o abastecimento de gás.

- Não coloque químicos, materiais inflamáveis nem aerossóis em spray nas proximidades deste aparelho.
- Nunca verificar o aparelho quanto a fugas com uma chama aberta.
- Em caso de cheiro a gás:
 - Não tente acender este aparelho.
 - Apague todas as chamas abertas.
 - Feche o abastecimento de gás.
 - Desconecte o aparelho do abastecimento de gás.
 - Ao utilizar o aparelho em espaços fechados, abra a janela e evacue o veículo.
 - Solicite a verificação do sistema de gás por um especialista.
- Insira ou remova o recipiente de gás apenas no exterior e longe de chamas abertas, luzes-piloto ou outras fontes de ignição, e apenas quando este aparelho estiver frio ao toque.
- Antes de utilizar o recipiente de gás, verifique se o vedante entre este aparelho e o recipiente de gás está na posição correta e em boas condições.
- Não utilize este aparelho se o vedante estiver danificado ou gasto.
- Desligue o abastecimento de gás no recipiente de gás após a utilização.

Perigo de incêndio

- Este aparelho deve estar afastado de materiais inflamáveis durante a sua utilização.
- Não encoste nem coloque em cima deste aparelho outros objetos para além de painéis ou frigideiras.
- Não coloque este aparelho na proximidade de materiais facilmente inflamáveis (papel, folhas secas, têxteis).
- Mantenha os objetos inflamáveis longe do queimador.
- Posicione as pegas das painéis ou frigideiras da seguinte maneira:
 - Nunca deixe as pegas das painéis ou frigideiras saírem para fora dos limites do aparelho.
 - Vire as pegas das painéis ou frigideiras para dentro, mas de forma a que não fiquem por cima de outros queimadores.
- Não aqueça excessivamente gordura ou óleo.
- Utilize apenas suportes para painéis secos para pegar em painéis ou frigideiras quentes.
- Desligue o aparelho antes de remover as painéis ou frigideiras.

- Opere este aparelho apenas quando um adulto puder supervisionar a operação.

Risco de queimaduras

- Existem partes acessíveis que podem estar quentes. Mantenha crianças pequenas afastadas.



PRECAUÇÃO! O incumprimento destas advertências poderá resultar em ferimentos ligeiros ou moderados.

Risco de queimaduras

- Use luvas de proteção ao mexer em componentes quentes.
- Deixe o aparelho arrefecer antes de lhe tocar com as mãos desprotegidas.
- Se acender um queimador manualmente:
 - Utilize fósforos comprimidos ou um isqueiro próprio.
 - Afaste as mãos rapidamente assim que o queimador acender.
- O consumo de álcool ou a toma de medicamentos prescritos ou sem necessidade de receita médica podem prejudicar a sua capacidade de montar adequadamente este aparelho ou de o utilizar com segurança.



NOTA! Risco de danos

- Não utilize um temporizador externo ou um sistema de controlo remoto.

Material fornecido

N.º na fig. 1, página 3	Componente	Quantidade
1	Suporte para painelas ou frigideiras	1
2	Bandeja para assar	1
3	Grelha para forno	1
4	Conjunto de placa e forno a gás	1
5	Suporte de montagem	2

Destinatários



A montagem e instalação da ligação de gás têm que ser efetuadas por um técnico especializado que possua os conhecimentos e as competências necessários para a construção, instalação e operação de parelhos a gás e que tenha formação em segurança relativamente à identificação e prevenção dos perigos envolvidos.

Utilização adequada

O conjunto de placa e forno a gás está concebido para cozinhar e assar alimentos.

Apenas CU351MK: Adicionalmente, o conjunto de placa e forno a gás também se destina a grelhar alimentos.

O conjunto de placa e forno a gás está concebido exclusivamente para utilização marítima e em barcos. Para utilizar em espaços fechados, é obrigatório cumprir os requisitos indicados na fig. 5, página 7. Em espaços com 3 paredes, 30% do total da área de parede tem de estar aberto e desimpedido.

O conjunto de placa e forno a gás **não** se destina a ser utilizado em conveses “fly deck”, em veículos ou edifícios.

Este produto destina-se exclusivamente à aplicação e aos fins pretendidos com base nestas instruções.

Este manual fornece informações necessárias para proceder a uma instalação e/ou a uma operação adequadas do produto. Uma instalação e/ou uma operação ou manutenção incorretas causarão um desempenho insatisfatório e uma possível avaria.

O fabricante não aceita qualquer responsabilidade por danos ou prejuízos no produto resultantes de:

- Montagem ou ligação incorreta, incluindo sobretensões
- Manutenção incorreta ou utilização de peças sobressalentes não originais fornecidas pelo fabricante
- Alterações ao produto sem autorização expressa do fabricante

- Utilização para outras finalidades que não as descritas no presente manual

A Kampa reserva-se o direito de alterar o design e as especificações do produto.

Descrição técnica

O conjunto de placa e forno a gás cozinha e assa alimentos.

Apenas CU351MK: Adicionalmente, o conjunto de placa e forno a gás também grelha alimentos.

O conjunto de placa e forno a gás é fixado com suportes de montagem e um pino que garantem que o aparelho se mantém na sua posição durante os movimentos provocados pela ondulação. O aparelho está equipado com um suporte para panelas ou frigideiras que garante que as panelas ou frigideiras se mantêm na placa e não deslizam durante os movimentos provocados pela ondulação.

O conjunto de placa e forno a gás tem de estar ligado a uma botija de gás.

CU354MK

N.º na fig. 2 , página 4	Componente
1	Suporte para panelas ou frigideiras
2	Botão rotativo de temperatura do forno
3	Grelha para forno
4	Bandeja para assar
5	Porta do forno
6	Botão rotativo de temperatura do queimador direito da placa
7	Botão rotativo de temperatura do queimador esquerdo da placa

CU351MK

N.º na fig. 3 , página 5	Componente
1	Suporte para panelas ou frigideiras
2	Botão rotativo de temperatura do forno
3	Botão rotativo de temperatura do grelhador
4	Grelhador
5	Bandeja para assar
6	Grelha para forno
7	Porta do forno
8	Botão rotativo de temperatura do queimador direito da placa
9	Botão rotativo de temperatura do queimador esquerdo da placa

Botões rotativos de temperatura

É possível regular a temperatura do forno e o tamanho da chama dos queimadores (fig. **4**, página 6).

Intervalos de temperatura do forno

Posição	1	2	3
Temperatura	130 °C	160 °C	180 °C

Posição	4	5	6
Temperatura	200 °C	220 °C	240 °C

Instalação



AVISO! Perigo de explosão

- Antes de instalar o conjunto de placa e forno a gás, assegure-se de que a qualidade e a pressão do gás, assim como os reguladores do abastecimento de gás, são compatíveis com o conjunto de placa e forno a gás. Tenha em atenção as especificações da regulação de gás para o conjunto de placa e forno a gás na placa de características e nas especificações no capítulo “Dados técnicos” na página 75.
- O conjunto de placa e forno a gás não está ligado a um exaustor. Instale o conjunto de placa e forno a gás de acordo com as normas de instalação aplicáveis.

Escolher um local de instalação

Ao escolher o local de instalação do conjunto de placa e forno a gás, cumpra as seguintes instruções:

- Coloque o conjunto de placa e forno a gás ao ar livre ou num espaço fechado que cumpra os requisitos conforme ilustrado na fig. **5**, página 7.
- O local tem de ser bem ventilado.
- Não instale o conjunto de placa e forno a gás numa cavidade, de modo a evitar a acumulação de gases.
- Proteja o conjunto de placa e forno a gás contra vento e correntes de ar diretas.
- O pavimento tem de ser firme, plano e estável.
- A carcaça e o armário do grelhador ficam muito quentes durante a operação. O conjunto de placa e forno a gás tem de estar pousado em cima de uma base que resista a temperaturas de pelo menos 80 °C.

Ligar à botija de gás

O conjunto de placa e forno a gás funciona com botijas de gás comerciais disponíveis no país onde o aparelho é usado (fig. **6**, página 8).

A botija de gás tem de cumprir as seguintes condições:

- A botija de gás tem de estar sempre localizada no compartimento disponível para o efeito.
- A botija de gás tem de estar sempre em posição vertical.
- A botija de gás tem de estar equipada com um regulador de pressão facilmente acessível e que não esteja coberto.

O abastecimento de gás conectado ao aparelho tem de ser um tubo de metal rígido com conexões herméticas. Se for utilizada uma mangueira flexível, é necessário cumprir as seguintes condições:

- A mangueira tem de ser facilmente acessível para a realização de inspeções.
- A mangueira tem de ser protegida do contacto com outras peças que podem aquecer.
- A mangueira tem de ser protegida contra danos.
- A mangueira tem de ser protegida contra entalamentos provocados por peças móveis como gavetas.
- A mangueira não pode ter mais de 1,5 m de comprimento.
- A mangueira tem de ser substituída antes de a sua data de validade expirar.

1. Conecte o tubo ou a mangueira da botija de gás ao conjunto de placa e forno a gás (fig. **7** a fig. **8**, página 9). É necessário apertar a mangueira com uma chave de porcas adequada, como uma chave ajustável, para obter uma vedação hermética do gás.
2. Verifique se existem fugas na mangueira ou no tubo do gás usando, para o efeito, um agente formador de espuma, como, por exemplo, sabão.



AVISO! Perigo de explosão

Não utilize uma chama ou líquido corrosivo para verificar se o abastecimento de gás tem fugas.

Montar o conjunto de placa e forno a gás

1. Garanta que há distância suficiente entre o aparelho e as paredes e outros armários (ver fig. **9**, página 10).
2. Monte o conjunto de placa e forno a gás conforme ilustrado nas fig. **10** a fig. **11**, página 11.

Operação



AVISO! Perigo de explosão

- Acenda os queimadores assim que o abastecimento de gás estiver ligado. Caso contrário, o gás pode acumular-se na zona do queimador e causar uma explosão.
- Todo o processo de ignição deve ser visível de cima e não deve ser tapado por painéis ou frigideiras pousadas na placa.



NOTA! Risco de danos

Apenas CU351MK: Não utilize o grelhador durante mais de 25 minutos.



OBSERVAÇÃO

- Durante a operação do conjunto de placa e forno a gás, pode ouvir-se um leve ruído causado pelo gás a sair.
- Pode surgir fumo quando utilizar o conjunto de placa e forno a gás pela primeira vez. Isto acontece devido à queima de depósitos de óleo de máquina e acaba após aprox. 10 minutos.
- **Apenas CU351MK:** O grelhador não pode ser utilizado como forno.
- Se utilizar propano (G31), a chama é azul sem pontas amarelas.
- Se utilizar butano (G30), a chama é azul com pontas amarelas quando é acesa. Os picos amarelos são mais intensos quando o queimador está quente.

Acender os queimadores

- Acenda a placa conforme ilustrado na fig. **12** (1) página 12 e fig. **13**, página 13.

► **Apenas CU351MK:** Acenda o grelhador conforme ilustrado na fig. **12** (2) página 12 e fig. **14**, página 14.

► Acenda o forno conforme ilustrado na fig. **12** (3) página 12 e fig. **15**, página 15.

Regular os queimadores



NOTA! Risco de danos

Garanta que a bandeja para assar, a prateleira do forno e as painéis ou frigideiras não entram em contacto com as chamas no interior do forno.



OBSERVAÇÃO

- Depois de acender o forno pela primeira vez, deixe o forno na temperatura mais elevada durante pelo menos 30 minutos antes de o regular.
- Após acender a placa pela primeira vez, deixe a chama da placa correspondente no tamanho de chama máximo durante 15 – 20 minutos antes de a regular.

► Regule o controlo de temperatura correspondente para a temperatura ou o tamanho de chama pretendidos (ver capítulo “Botões rotativos de temperatura” na página 69 e capítulo “Intervalos de temperatura do forno” na página 69).

✓ Quando o queimador do forno está aceso, a chama mantém-se no máximo. Quando o forno atinge a temperatura definida, a chama diminui automaticamente para uma chama mais baixa.

Usar a placa



AVISO! Perigo de incêndio

A chama não deve sair para fora dos limites das painéis ou frigideiras. Coloque as painéis ou frigideiras em posição central sobre o queimador e garanta uma posição segura usando o suporte para painéis ou frigideiras.

► Certifique-se de usar painéis ou frigideiras adequadas. Tenha atenção aos diâmetros do queimador da placa e das painéis ou frigideiras:

Diâmetro do queimador da placa	Diâmetro das painelas ou frigideiras
Ø 62 mm	16 – 22 cm
Ø 77 mm	16 – 22 cm

- Fixe as painelas ou frigideiras no suporte para painelas ou frigideiras com os botões rotativos no suporte para painelas ou frigideiras (ver fig. 16, página 16).

Usar o grelhador (apenas CU351MK)



PRECAUÇÃO! Risco de queimaduras

- Puxe a proteção térmica para fora para proteger os botões rotativos contra o aquecimento provocado pelo grelhador.
- A proteção térmica fica muito quente durante a utilização do grelhador e depois de este ser utilizado. Use luvas de proteção quando tocar na proteção térmica.

- Use a proteção térmica conforme ilustrado em fig. 17, página 16.

Desligar o conjunto de placa e forno a gás

- Desligue o conjunto de placa e forno a gás conforme ilustrado na fig. 18, página 17.

Poupar energia

- Depois de utilizar, desligue o conjunto de placa e forno a gás (ver capítulo “Desligar o conjunto de placa e forno a gás” na página 72).
- Feche a porta do forno quando estiver a usar o forno.

Limpeza e manutenção



AVISO! Perigo de explosão

Não utilize uma chama ou líquido corrosivo para verificar se o abastecimento de gás tem fugas.



PRECAUÇÃO! Risco de queimaduras

O conjunto de placa e forno a gás fica muito quente durante a sua utilização e depois de ser utilizado. Desligue o conjunto de placa e forno a gás. Deixe que o conjunto de placa e forno a gás arrefeça antes de o limpar, empacotar ou transportar.



NOTA! Risco de danos

- Não utilize escovas nem agentes de limpeza abrasivos, corrosivos, clorados e granulados para limpar o conjunto de placa e forno a gás.
- Não utilize aparelhos de limpeza a vapor.
- Não utilize ar comprimido para limpar o circuito de gás.
- Remova vinagres, sais, ácido cítrico ou outras substâncias ácidas ou alcalinas do conjunto de placa e forno a gás.

- Limpe o conjunto de placa e forno a gás com um pano húmido e agentes de limpeza neutros (fig. 19, página 17).
- Limpe o queimador do forno com água conforme ilustrado em fig. 20, página 18.
- Para limpar ou substituir os injetores de gás, entre em contacto com um centro de assistência técnica autorizado.

Fazer a manutenção dos queimadores



AVISO! Perigo de incêndio

As aranhas e os insetos podem construir teias e ninhos dentro dos queimadores. As teias e os ninhos podem obstruir o fluxo de gás e provocar um incêndio. Remova todos os insetos, aranhas, ninhos ou teias que existam no interior do queimador.

1. Verifique se há teias e ninhos nos queimadores duas vezes por mês.
2. Se for necessário, remova todos os insetos, aranhas, ninhos e teias que existam no interior do queimador.

Substituir a botija de gás



AVISO! Risco para a saúde

- Substitua a botija de gás numa área bem ventilada.
- Assegure-se de que não há chamas abertas na área.
- Substitua a botija de gás apenas com o conjunto de placa e forno a gás desligado.

1. Feche a válvula do gás da botija de gás.
2. Desaparafuse o regulador da botija de gás.
3. Se for utilizada uma mangueira do gás, certifique-se de que a mangueira não está danificada.
4. Se for necessário, substitua a mangueira (ver capítulo “Substituir a mangueira” na página 73).
5. Aparafuse manualmente o regulador na nova botija de gás.

Substituir a mangueira



AVISO! Risco para a saúde

- Substitua a mangueira numa área bem ventilada.
- Assegure-se de que não há chamas abertas na área.
- Substitua a mangueira apenas com o conjunto de placa e forno a gás desligado.

1. Feche a válvula do gás da botija de gás.
2. Desaparafuse o regulador da botija de gás.
3. Substitua a mangueira do gás.
4. Aparafuse manualmente o regulador na botija de gás.
5. Verifique se existem fugas na mangueira do gás usando, para o efeito, um agente formador de espuma, como, por exemplo, sabão.

Armazenar



AVISO! Risco de queimaduras

O conjunto de placa e forno a gás fica muito quente durante a sua utilização e depois de ser utilizado. Desligue o conjunto de placa e forno a gás. Deixe que o conjunto de placa e forno a gás arrefeça antes de o empacotar ou transportar.

1. Feche a válvula do gás da botija de gás.
2. Limpe o conjunto de placa e forno a gás (ver capítulo “Limpeza e manutenção” na página 72).

Resolução de falhas

Falha	Possível causa	Resolução
O aparelho não se acende.	Está a ser utilizado o tipo de gás errado.	<ul style="list-style-type: none">▶ Certifique-se de utilizar gás suficiente. Tenha em atenção as especificações da regulação de gás para o conjunto de placa e forno a gás na placa de características e nas especificações no capítulo "Dados técnicos" na página 75.▶ Se for necessário, substitua a botija de gás (ver capítulo "Substituir a botija de gás" na página 73).
A botija de gás está vazia.		<ul style="list-style-type: none">▶ Substitua a botija de gás (ver capítulo "Substituir a botija de gás" na página 73).
A mangueira está com defeito.		<ul style="list-style-type: none">▶ Substitua a mangueira (ver capítulo "Substituir a mangueira" na página 73).
Existe uma avaria ou as conexões são más.		<ul style="list-style-type: none">▶ Conecte novamente o tubo ou a mangueira (capítulo "Ligar à botija de gás" na página 70).▶ Se for necessário, desligue o abastecimento de gás e contacte um agente de assistência técnica autorizado.
O termopar está avariado.		<ul style="list-style-type: none">▶ Desligue o abastecimento de gás e contacte um agente de assistência técnica autorizado.
O conjunto de placa e forno a gás está avariado.		
Os queimadores de placa não acendem.	Não há faísca.	<ul style="list-style-type: none">▶ Coloque o botão rotativo de placa correspondente no nível mais baixo e ligue o queimador do forno (ver capítulo "Acender os queimadores" na página 71).
O forno não se acende.	Não há faísca.	<ul style="list-style-type: none">▶ Desligue o forno por 1 minuto.▶ Ligue o forno (ver capítulo "Regular os queimadores" na página 71).
Apenas CU351MK: O grelhador não se acende.	Não há faísca.	<ul style="list-style-type: none">▶ Desligue o grelhador por 1 minuto.▶ Ligue o grelhador (ver capítulo "Usar a placa" na página 71).

Garantia

Aplica-se o prazo de garantia legal. Se o produto apresentar defeitos, contacte o seu revendedor ou a filial do fabricante no seu país (ver dome-tic.com/dealer).

Para fins de reparação e do processamento da garantia, envie também os seguintes documentos quando devolver o produto:

- Uma cópia da fatura com a data de aquisição
- Um motivo de reclamação ou uma descrição da falha

Tenha em atenção que as reparações feitas por si ou por não profissionais podem ter consequências sobre a segurança e anular a garantia.

Eliminação



- ▶ Sempre que possível, coloque o material de embalagem no respetivo contentor de reciclagem.
- ▶ Informe-se junto do centro de reciclagem ou revendedor mais próximo sobre como eliminar este produto de acordo com as disposições de eliminação aplicáveis.

Dados técnicos

	CU351MK	CU354MK
Potência estipulada total	6,4 kW, 466 g/h	5,1 kW, 371 g/h
Potência estipulada do forno	1,1 kW, 89 g/h	
Potência estipulada do grelhador	1,3 kW, 95 g/h	–
Potência estipulada da placa Queimador esquerdo Queimador direito	2,2 kW, 160 g/h 1,8 kW, 131 g/h	
Volume do ar de combustão	12,8 m ³ /h	10,2 m ³ /h
Pressão de ligação	fig. 6, página 8	
Dimensões (A x L x P)	508 x 450 x máx 358 mm	398 x 449 x máx 357 mm
Peso	18,50 kg	15,50 kg
Dimensão dos queimadores da placa Queimador esquerdo Queimador direito	Ø 62 mm Ø 70 mm	
Certificações		

Si prega di leggere attentamente e di seguire tutte le istruzioni, le linee guida e le avvertenze incluse in questo manuale del prodotto, al fine di garantire che il prodotto venga sempre installato, utilizzato e mantenuto nel modo corretto. Queste istruzioni DEVONO essere conservate insieme al prodotto.

Utilizzando il prodotto, l'utente conferma di aver letto attentamente tutte le istruzioni, le linee guida e le avvertenze e di aver compreso e accettato di rispettare i termini e le condizioni qui espressamente indicati. L'utente accetta di utilizzare questo prodotto solo per lo scopo e l'applicazione previsti e in conformità con le istruzioni, le linee guida e le avvertenze indicate nel presente manuale del prodotto, nonché in conformità con tutte le leggi e i regolamenti applicabili. La mancata lettura e osservanza delle istruzioni e delle avvertenze qui espressamente indicate può causare lesioni personali e a terzi, danni al prodotto o ad altre proprietà nelle vicinanze. Il presente manuale del prodotto, comprese le istruzioni, le linee guida e le avvertenze e la relativa documentazione possono essere soggetti a modifiche e aggiornamenti. Per informazioni aggiornate sul prodotto, si prega di visitare il sito documents.dometic.com.

Indice

Spiegazione dei simboli	76
Istruzioni per la sicurezza	76
Dotazione	79
Destinatari	79
Destinazione d'uso	79
Descrizione delle caratteristiche tecniche	79
Installazione	80
Funzionamento	81
Risparmio energetico	83
Pulizia e manutenzione	83
Conservazione	84
Risoluzione dei problemi	84
Garanzia	85
Smaltimento	85
Specifiche tecniche	86

Spiegazione dei simboli



AVVERTENZA!

Istruzione per la sicurezza: indica una situazione di pericolo che, se non evitata, può provocare lesioni gravi o mortali.



ATTENZIONE!

Istruzione per la sicurezza: indica una situazione di pericolo che, se non evitata, può provocare lesioni di entità lieve o moderata.



AVVISO!

Indica una situazione di pericolo che, se non evitata, può provocare danni alle cose.



NOTA

Informazioni supplementari relative all'impiego del prodotto.

Istruzioni per la sicurezza

Note preliminari

- Prima dell'installazione, assicurarsi che le condizioni di distribuzione locale (natura del gas e pressione del gas) e la regolazione dell'apparecchio siano compatibili.
- Le condizioni di regolazione di questo apparecchio sono indicate sull'etichetta (o targhetta).
- Questo apparecchio non è collegato a un dispositivo di evacuazione dei prodotti della combustione. Deve essere installato e collegato in conformità alle norme di installazione vigenti. Prestare particolare attenzione ai requisiti pertinenti relativi alla ventilazione.

Sicurezza generale



AVVERTENZA! La mancata osservanza di queste avvertenze potrebbe causare la morte o lesioni gravi.

Pericolo di esplosione

- Questo apparecchio può essere riparato solo da personale qualificato. Le riparazioni effettuate in modo scorretto possono causare gravi pericoli.
- Questo apparecchio deve essere installato in conformità alle norme nazionali in vigore nel Paese di utilizzo.
- Questo apparecchio deve essere utilizzato solo in uno spazio ben ventilato.
- Leggere le istruzioni prima di installare o utilizzare questo apparecchio.
- Non modificare l'apparecchio.

- Non rimuovere o sostituire alcun componente di questo apparecchio.
- Il tubo flessibile del gas deve essere cambiato se richiesto dalle norme nazionali.
- Non attorcigliare, stirare, schiacciare o applicare carichi di qualsiasi tipo al tubo flessibile di alimentazione del gas.

Pericolo di incendio

- Non lasciare questo apparecchio incustodito quando è caldo o in uso.
- Controllare che i bambini non giochino con questo apparecchio.
- Tenere a portata di mano un estintore adeguato. Assicurarsi che l'estintore venga controllato a intervalli regolari da personale specializzato.

Pericolo di ustioni

- Tenere mani, viso e capelli lontani dai bruciatori.
- Non indossare abiti larghi o lasciare che i capelli lunghi pendano liberamente mentre si accende o si usa questo apparecchio.
- Tenere lontano bambini e animali domestici.
- Monitorare attentamente tutte le attività intorno a questo apparecchio per evitare ustioni o altre lesioni.
- Non spostare l'apparecchio durante l'uso.

Pericolo per la salute

- Questo apparecchio può essere utilizzato da bambini di età superiore a 8 anni, da persone con ridotte capacità fisiche, sensoriali o mentali o da persone inesperte o prive di conoscenze specifiche solo se sorvegliate o preventivamente istruite sull'impiego dell'apparecchio in sicurezza e se informate dei pericoli legati al prodotto stesso e in grado di comprenderli.
- Controllare che i bambini non giochino con questo apparecchio.



ATTENZIONE! La mancata osservanza di queste precauzioni potrebbe causare lesioni lievi o moderate.

Pericolo di lesioni

- Se l'apparecchio è dotato di un coperchio in vetro, in caso di rottura del coperchio:
 - Spegnerne immediatamente tutti i bruciatori e qualsiasi elemento riscaldante elettrico e isolare l'apparecchio dall'alimentazione.
 - Non toccare la superficie dell'apparecchio.
 - Non utilizzare l'apparecchio.



AVVISO! Rischio di danni

- Se l'apparecchio è dotato di un coperchio in vetro:
 - Chiudere il coperchio in vetro prima di iniziare un viaggio.
 - Prima di chiudere il coperchio in vetro, spegnere tutti i bruciatori.

Precauzioni di sicurezza per la manipolazione del gas liquido



AVVERTENZA! La mancata osservanza di queste avvertenze potrebbe causare la morte o lesioni gravi.

Pericolo di esplosione

- Dopo l'uso scollegare sempre la bombola di gas liquido.
- Conservare le bombole di gas liquido lontano da apparecchi di riscaldamento o di cottura e da altre fonti di luce o di calore, in un'area ben ventilata e fuori dalla portata dei bambini.
- **Mai** conservare le bombole di gas liquido in luoghi non aerati o al di sotto del livello del terreno (avvallamenti del terreno a forma di imbuto).
- **Mai** conservare le bombole di gas liquido in edifici come i garage.
- La conservazione al chiuso deve avvenire in modo conforme alle disposizioni nazionali.
- Non conservare le bombole di gas liquido su un lato.
- Tenere le bombole di gas liquido lontano dalla luce diretta del sole. La temperatura non deve superare i 50 °C.

Sicurezza durante l'utilizzo del dispositivo



PERICOLO! La mancata osservanza di queste istruzioni causerà lesioni gravi o mortali.

Pericolo di avvelenamento da monossido di carbonio

- Il processo di combustione del gas liquido produce monossido di carbonio che si accumula negli ambienti chiusi. Utilizzare questo apparecchio solo con ventilazione sufficiente.

Pericolo di soffocamento

- L'utilizzo di questo apparecchio in un ambiente non aerato riduce la quantità di ossigeno.
- Non utilizzare l'apparecchio per riscaldare gli ambienti.
- L'uso di apparecchi di cottura a gas genera calore, umidità e prodotti della combustione nel locale in cui sono installati.
 - Assicurarsi che la cucina sia ben ventilata, in particolare quando l'apparecchio è in uso.
 - Tenere aperte le aperture per l'aria naturali o installare un apparecchio di ventilazione meccanica (ad esempio, una cappa aspirante meccanica).
- L'uso intensivo e prolungato dell'apparecchio può richiedere ventilazione aggiuntiva, ad esempio l'apertura di una finestra, o più efficace, ad esempio un aumento del livello di ventilazione meccanica ove presente.



AVVERTENZA! La mancata osservanza di queste avvertenze potrebbe causare la morte o lesioni gravi.

Pericolo di esplosione

- Non utilizzare questo apparecchio se presenta perdite, danni o se non funziona correttamente.
- Non utilizzare l'apparecchio nelle seguenti situazioni:
 - nei distributori di benzina
 - sui traghetti
 - durante il trasporto del camper o caravan con un veicolo di trasporto o un carroattrezzi
- In caso di incendio interrompere l'alimentazione del gas.
- Non collocare prodotti chimici, materiali infiammabili o bombolette spray vicino a questo apparecchio.
- Non usare mai fiamme libere per controllare la presenza di perdite di gas.
- In caso di odore di gas:
 - Non tentare di accendere questo apparecchio.
 - Estinguere qualsiasi fiamma libera.
 - Interrompere l'alimentazione del gas.
 - Scollegare l'apparecchio dall'alimentazione del gas.
 - Quando si utilizza l'apparecchio al chiuso, aprire i finestrini ed evacuare il veicolo.
 - Far verificare l'impianto a gas da un esperto autorizzato.

- Collegare o staccare la bombola del gas solo all'aperto, lontano da fiamme libere, fiamme pilota o altre fonti di accensione e solo quando l'apparecchio è freddo al tatto.
- Controllare che la guarnizione tra l'apparecchio e la bombola del gas sia in posizione e in buone condizioni prima di usare la bombola del gas.
- Non utilizzare questo apparecchio se la guarnizione è danneggiata o usurata.
- Chiudere l'alimentazione del gas sulla bombola del gas dopo l'uso.

Pericolo di incendio

- Questo apparecchio deve essere tenuto lontano dai materiali infiammabili durante l'uso.
- Non appoggiare oggetti che non siano pentole su o contro questo apparecchio.
- Non mettere l'apparecchio in prossimità di materiali infiammabili (carta, fogliame secco, prodotti tessili).
- Tenere lontani gli oggetti infiammabili dal bruciatore.
- Posizionare i manici delle pentole come segue:
 - Non lasciare mai che i manici delle pentole sporgano dall'apparecchio.
 - Ruotare i manici delle pentole verso l'interno, ma senza posizionarli sopra gli altri bruciatori.
- Non scaldare eccessivamente il grasso o l'olio.
- Utilizzare solo presine asciutte per maneggiare le pentole calde.
- Spegnerne l'apparecchio prima di rimuovere la pentola.
- Utilizzare questo apparecchio solo in presenza di un adulto.

Pericolo di ustioni

- Le parti accessibili possono essere molto calde. Tenere lontano i bambini.



ATTENZIONE! La mancata osservanza di queste precauzioni potrebbe causare lesioni lievi o moderate.

Pericolo di ustioni

- Utilizzare guanti di protezione quando si maneggiano componenti caldi.
- Lasciare raffreddare l'apparecchio prima di toccarlo a mani nude.

- Quando un bruciatore viene acceso manualmente:
 - Utilizzare fiammiferi lunghi o un accendigas adeguato.
 - Allontanare subito la mano non appena il bruciatore si accende.
- L'uso di alcol o di farmaci con o senza prescrizione medica può compromettere la capacità di montare correttamente o utilizzare questo apparecchio in modo sicuro.



AVVISO! Rischio di danni

- Non utilizzare un timer esterno o un sistema di controllo remoto.

Dotazione

N. nella fig. 1, pagina 3	Componente	Quantità
1	Supporto pentole	1
2	Teglia da forno	1
3	Griglia del forno	1
4	Cucina con forno a gas	1
5	Supporto di montaggio	2

Destinatari



Il montaggio e l'installazione del collegamento del gas devono essere eseguiti da una persona qualificata che abbia dimostrato di possedere abilità e conoscenze sulla costruzione, l'installazione e il funzionamento di apparecchiature a gas e abbia ricevuto la formazione sulla sicurezza per identificare ed evitare i pericoli correlati.

Destinazione d'uso

La cucina con forno a gas è progettata per cuocere alimenti.

Solo CU351MK: La cucina con forno a gas è inoltre progettata per cuocere al grill.

La cucina con forno a gas è destinata esclusivamente all'uso in barca e all'uso marino. Per l'uso in spazi chiusi è necessario soddisfare i requisiti indicati nella fig. 5, pagina 7. Nei casi con 3 pareti, il 30% dell'area totale della parete deve essere aperto e libero.

La cucina con forno a gas **non** è destinata all'uso su ponti fly, veicoli o edifici.

Questo prodotto è adatto solo per l'uso e l'applicazione previsti in conformità con le presenti istruzioni.

Il presente manuale fornisce le informazioni necessarie per la corretta installazione e/o il funzionamento del prodotto. Un'installazione errata e/o un utilizzo o una manutenzione impropri comporteranno prestazioni insoddisfacenti e un possibile guasto.

Il fabbricante non si assume alcuna responsabilità per eventuali lesioni o danni al prodotto che derivino da:

- Montaggio o collegamento non corretti, compresa la sovratensione
- Manutenzione non corretta o uso di parti di ricambio diverse da quelle originali fornite dal fabbricante
- Modifiche al prodotto senza esplicita autorizzazione del fabbricante
- Impiego per scopi diversi da quelli descritti nel presente manuale

Kampa si riserva il diritto di modificare l'aspetto e le specifiche del prodotto.

Descrizione delle caratteristiche tecniche

La cucina con forno a gas permette di cuocere in pentola e al forno.

Solo CU351MK: La cucina con forno a gas può inoltre cuocere al grill.

La cucina con forno a gas è fissata con staffe di montaggio e un perno che assicurano che l'apparecchio rimanga in posizione durante il modo ondosio. L'apparecchio è dotato di un supporto pentole che garantisce che le pentole siano posizionate saldamente sul piano cottura e che non scivolino durante il moto ondosio.

La cucina con forno a gas deve essere collegata a una bombola del gas.

CU354MK

N. nella fig. 2 , pagina 4	Componente
1	Supporto pentole
2	Manopola della temperatura del forno
3	Griglia del forno
4	Teglia da forno
5	Porta del forno
6	Manopola della temperatura del bruciatore destro del piano cottura
7	Manopola della temperatura del bruciatore sinistro del piano cottura

CU351MK

N. nella fig. 3 , pagina 5	Componente
1	Supporto pentole
2	Manopola della temperatura del forno
3	Manopola della temperatura del grill
4	Grill
5	Teglia da forno
6	Griglia del forno
7	Porta del forno

N. nella fig. 3 , pagina 5	Componente
8	Manopola della temperatura del bruciatore destro del piano cottura
9	Manopola della temperatura del bruciatore sinistro del piano cottura

Manopole della temperatura

La temperatura del forno e le dimensioni della fiamma dei bruciatori sono regolabili (fig. **4**, pagina 6).

Intervalli di temperatura del forno

Posizione	1	2	3
Temperatura	130 °C	160 °C	180 °C

Posizione	4	5	6
Temperatura	200 °C	220 °C	240 °C

Installazione



AVVERTENZA! Pericolo di esplosione

- Prima di installare la cucina con forno a gas, assicurarsi che la qualità e la pressione del gas e i regolatori di alimentazione del gas siano compatibili con la cucina con forno a gas. Rispettare le specifiche di regolazione del gas per la cucina con forno a gas riportate sulla targhetta e le specifiche nel capitolo "Specifiche tecniche" a pagina 86.
- La cucina con forno a gas non è collegata a una cappa aspirante. Installare la cucina con forno a gas in conformità alle normative di installazione applicabili.

Scelta della posizione di montaggio

Quando si seleziona la posizione di installazione della cucina con forno a gas, attenersi alle seguenti istruzioni:

- Posizionare la cucina con forno a gas all'aperto o in uno spazio chiuso che soddisfi i requisiti indicati nella fig. **5**, pagina 7.
- Il luogo deve essere ben ventilato.
- Non posizionare la cucina con forno a gas in una conca per evitare l'accumulo di gas.
- Tenere la cucina con forno a gas al riparo da vento e correnti d'aria dirette.
- Il terreno deve essere solido, piano e stabile.
- L'alloggiamento e il vano grill raggiungono temperature molto elevate durante il funzionamento. La cucina con forno a gas deve essere posizionata su una base in grado di resistere a temperature di almeno 80 °C.

Collegamento alla bombola del gas

La cucina con forno a gas funziona con le bombole del gas disponibili in commercio nel Paese in cui è usata (fig. **6**, pagina 8).

La bombola del gas deve soddisfare le seguenti condizioni:

- La bombola del gas deve essere sempre posizionata nell'apposito alloggiamento.
- La bombola del gas deve essere sempre posizionata verticalmente.
- La bombola del gas deve essere dotata di un regolatore di pressione facilmente accessibile e non coperto.

L'alimentazione del gas collegata all'apparecchio deve essere un tubo metallico rigido con raccordi sigillati. Se si utilizza un tubo flessibile, devono essere soddisfatte le seguenti condizioni:

- Il tubo flessibile deve essere facilmente accessibile per scopi di ispezione.
- Il tubo flessibile deve essere protetto dal contatto con le altre parti che si riscaldano.
- Il tubo flessibile deve essere protetto dai danni.
- Il tubo flessibile deve essere protetto per evitare che sia schiacciato da parti in movimento come i cassetti.
- La lunghezza del tubo flessibile non deve essere superiore a 1,5 m.
- Il tubo flessibile deve essere sostituito prima della data di scadenza.

1. Collegare il tubo rigido o flessibile della bombola di gas alla cucina con forno a gas (da fig. **7** a fig. **8**, pagina 9).
Il tubo flessibile deve essere serrato con una chiave adatta, ad esempio una chiave regolabile, per ottenere la tenuta al gas.
2. Controllare che il tubo rigido o flessibile del gas non presentino perdite utilizzando un agente schiumogeno, ad esempio sapone.



AVVERTENZA! Pericolo di esplosione

Non utilizzare una fiamma o un liquido corrosivo per verificare l'eventuale presenza di perdite nell'alimentazione del gas.

Montaggio della cucina con forno a gas

1. Assicurarsi che la distanza dalle pareti e dagli altri mobili sia sufficiente (vedi fig. **9**, pagina 10).
2. Montare la cucina con forno a gas come mostrato dalla fig. **10** alla fig. **11**, pagina 11.

Funzionamento



AVVERTENZA! Pericolo di esplosione

- Accendere i bruciatori non appena viene attivata l'alimentazione del gas. In caso contrario si potrebbe accumulare gas nell'area del bruciatore, causando un'esplosione.
- Deve essere possibile controllare dall'alto l'intero processo di accensione; le pentole sul piano cottura non devono coprire il campo visivo.



AVVISO! Rischio di danni

Solo CU351MK: Non utilizzare il grill per più di 25 minuti.



NOTA

- Durante il funzionamento della cucina con forno a gas si avverte un leggero rumore causato dalla fuoriuscita del gas.
- La prima volta che si utilizza la cucina con forno a gas si può sviluppare del fumo. Questo è causato dalla bruciatura di residui infiammabili del grasso delle macchine e non dura che una decina di minuti.
- **Solo CU351MK:** li grill non può essere utilizzato come forno.
- Quando si utilizza propano (G31), la fiamma è blu senza punte gialle.
- Quando si utilizza butano (G30), la fiamma è blu con punte gialle quando viene accesa. Le punte gialle diventano più intense quando il bruciatore viene riscaldato.

Accensione dei bruciatori

- Accendere il piano cottura come mostrato nella fig. **12** (1) pagina 12 e nella fig. **13**, pagina 13.
- **Solo CU351MK:** Accendere il grill come mostrato nella fig. **12** (2) pagina 12 e nella fig. **14**, pagina 14.
- Accendere il forno come mostrato nella fig. **12** (3) pagina 12 e nella fig. **15**, pagina 15.

Regolazione dei bruciatori



AVVISO! Rischio di danni

Assicurarsi che la teglia da forno, la griglia del forno e le stoviglie non vengano a contatto con le fiamme all'interno del forno.



NOTA

- Dopo aver acceso il forno per la prima volta, lasciarlo alla massima temperatura per almeno 30 minuti prima di regolarla.
- Dopo aver acceso il piano cottura per la prima volta, lasciare la fiamma del piano cottura corrispondente al livello più alto per 15 – 20 minuti prima di regolarla.

- Impostare il comando della temperatura alla temperatura o alla dimensione della fiamma desiderata (vedi capitolo “Manopole della temperatura” a pagina 80 e capitolo “Intervalli di temperatura del forno” a pagina 80).
- ✓ Quando il bruciatore del forno viene acceso, la fiamma rimane al livello più alto. Quando il forno raggiunge la temperatura impostata, la fiamma si abbassa automaticamente.

Utilizzo del piano cottura



AVVERTENZA! Pericolo di incendio

La fiamma non deve estendersi oltre il bordo della pentola. Posizionare la pentola al centro del bruciatore e fissarla con l'apposito supporto.

- Assicurarsi di utilizzare una pentola adatta. Osservare il diametro del bruciatore del piano cottura e della pentola:

Diametro bruciatore piano cottura	Diametro della pentola
Ø 62 mm	16 – 22 cm
Ø 77 mm	16 – 22 cm

- Fissare la pentola nell'apposito supporto utilizzando le manopole (vedi fig. **16**, pagina 16).

Utilizzo del grill (solo CU351MK)



ATTENZIONE! Pericolo di ustioni

- Estrarre lo scudo termico per evitare che le manopole vengano riscaldate dal grill.
- Lo scudo termico è molto caldo durante e dopo il funzionamento del grill. Indossare guanti protettivi quando si tocca lo scudo termico.

- Utilizzare lo scudo termico come mostrato nella fig. **17**, pagina 16.

Spegnimento della cucina con forno a gas

- Per spegnere la cucina con forno a gas procedere come indicato nella fig. **18**, pagina 17.

Risparmio energetico

- Spegnerne sempre la cucina con forno a gas dopo l'uso (vedi capitolo "Spegnimento della cucina con forno a gas" a pagina 82).
- Tenere chiuso lo sportello del forno durante l'uso.

Pulizia e manutenzione



AVVERTENZA! Pericolo di esplosione

Non utilizzare una fiamma o un liquido corrosivo per verificare l'eventuale presenza di perdite nell'alimentazione del gas.



ATTENZIONE! Pericolo di ustioni

La cucina con forno a gas è molto calda durante e dopo l'uso. Spegnerne la cucina con forno a gas. Lasciar raffreddare la cucina con forno a gas prima di pulirla, imballarla o trasportarla.



AVVISO! Rischio di danni

- Non utilizzare detergenti abrasivi, corrosivi, clorurati e spazzole a setole dure per la pulizia della cucina con forno a gas.
- Non utilizzare pulitori a vapore.
- Non utilizzare aria compressa per pulire il circuito del gas.
- Rimuovere aceto, sali, acido citrico o altre sostanze acide o alcaline dalla cucina con forno a gas.

- Pulire la cucina con forno a gas con un panno umido e detergenti neutri (fig. 19, pagina 17).
- Pulire il bruciatore del forno con acqua come mostrato nella fig. 20, pagina 18in .
- Per pulire o sostituire gli iniettori del gas, contattare un centro di assistenza autorizzato.

Manutenzione dei bruciatori



AVVERTENZA! Pericolo di incendio

I ragni possono tessere ragnatele e gli insetti possono creare nidi all'interno dei bruciatori. Le ragnatele e i nidi possono ostruire il flusso di gas e provocare un incendio. Rimuovere eventuali insetti, ragni, nidi o ragnatele dall'interno del bruciatore.

1. Controllare i bruciatori due volte al mese per verificare che non vi siano ragnatele e nidi.
2. Se necessario, rimuovere gli insetti, i ragni, i nidi e le ragnatele dall'interno del bruciatore.

Sostituzione della bombola del gas



AVVERTENZA! Pericolo per la salute

- Sostituire la bombola del gas in un luogo ben ventilato.
- Assicurarsi che nelle vicinanze non siano presenti fiamme libere.
- Sostituire la bombola del gas solo quando la cucina con forno a gas è spenta.

1. Chiudere la valvola della bombola del gas.
2. Svitare il regolatore dalla bombola del gas.
3. Se si utilizza un tubo flessibile del gas, assicurarsi che il tubo flessibile non sia difettoso.
4. Se necessario, sostituire il tubo flessibile (vedi capitolo "Sostituzione del tubo flessibile" a pagina 83).
5. Avvitare manualmente il regolatore nella nuova bombola del gas.

Sostituzione del tubo flessibile



AVVERTENZA! Pericolo per la salute

- Sostituire il tubo flessibile in un'area ben ventilata.
- Assicurarsi che nelle vicinanze non siano presenti fiamme libere.
- Sostituire il tubo flessibile solo quando la cucina con forno a gas è spenta.

1. Chiudere la valvola della bombola del gas.
2. Svitare il regolatore dalla bombola del gas.

3. Sostituire il tubo flessibile del gas.
4. Avvitare manualmente il regolatore nella bombola del gas.
5. Controllare che il tubo flessibile del gas non presenti perdite utilizzando un agente schiumogeno, ad esempio sapone.

Conservazione



AVVERTENZA! Pericolo di ustioni

La cucina con forno a gas è molto calda durante e dopo l'uso. Spegnerne la cucina con forno a gas. Lasciar raffreddare la cucina con forno a gas prima di imballarla o trasportarla.

1. Chiudere la valvola della bombola del gas.
2. Pulire la cucina con forno a gas (vedi capitolo "Pulizia e manutenzione" a pagina 83).

Risoluzione dei problemi

Guasto	Possibile causa	Soluzione
L'apparecchio non si accende.	Si sta usando il gas sbagliato.	<ul style="list-style-type: none"> ▶ Assicurarsi di utilizzare una quantità di gas sufficiente. Rispettare le specifiche di regolazione del gas per la cucina con forno a gas riportate sulla targhetta e le specifiche nel capitolo "Specifiche tecniche" a pagina 86. ▶ Se necessario, sostituire la bombola del gas (vedi capitolo "Sostituzione della bombola del gas" a pagina 83).
	La bombola del gas è vuota.	<ul style="list-style-type: none"> ▶ Sostituire la bombola del gas (vedi capitolo "Sostituzione della bombola del gas" a pagina 83).
	Il tubo flessibile è guasto.	<ul style="list-style-type: none"> ▶ Sostituire il tubo flessibile (vedi capitolo "Sostituzione del tubo flessibile" a pagina 83).
	Sono presenti un malfunzionamento o un collegamento difettoso.	<ul style="list-style-type: none"> ▶ Ricollegare il tubo rigido o flessibile (capitolo "Collegamento alla bombola del gas" a pagina 81). ▶ Se necessario, scollegare l'alimentazione del gas e contattare il servizio di assistenza autorizzato.
	La termocoppia è difettosa.	<ul style="list-style-type: none"> ▶ Scollegare l'alimentazione del gas e contattare il servizio di assistenza autorizzato.
	La cucina con forno a gas è guasta.	<ul style="list-style-type: none"> ▶ Scollegare l'alimentazione del gas e contattare il servizio di assistenza autorizzato.

Guasto	Possibile causa	Soluzione
I bruciatori del piano cottura non si accendono.	Non si produce la scintilla.	<ul style="list-style-type: none"> ▶ Impostare la manopola del bruciatore del piano cottura al livello più basso e accendere il bruciatore del piano cottura (vedi capitolo "Accensione dei bruciatori" a pagina 82).
Il forno non si accende.	Non si produce la scintilla.	<ul style="list-style-type: none"> ▶ Spegnerne il forno per 1 minuto. ▶ Accendere il forno (vedi capitolo "Regolazione dei bruciatori" a pagina 82).
Solo CU351MK: Il grill non si accende.	Non si produce la scintilla.	<ul style="list-style-type: none"> ▶ Spegnerne il grill per 1 minuto. ▶ Accendere il grill (vedi capitolo "Utilizzo del piano cottura" a pagina 82).

Garanzia

Vale il termine di garanzia previsto dalla legge. Se il prodotto è difettoso, contattare il rivenditore di fiducia o la filiale del fabbricante nel proprio Paese (vedi dometic.com/dealer).

Per la gestione della riparazione e della garanzia è necessario inviare la seguente documentazione insieme al prodotto:

- una copia della ricevuta con la data di acquisto,
- il motivo della richiesta o la descrizione del guasto.


Tenere presente che le riparazioni eseguite in autonomia o da personale non professionista possono avere conseguenze sulla sicurezza e invalidare la garanzia.

Smaltimento



- ▶ Smaltire il materiale di imballaggio possibilmente negli appositi contenitori di riciclaggio.
- ▶ Consultare il centro locale di riciclaggio o il rivenditore specializzato per informazioni su come smaltire il prodotto secondo le norme sullo smaltimento applicabili.

Specifiche tecniche

	CU351MK	CU354MK
Potenza nominale totale	6,4 kW, 466 g/h	5,1 kW, 371 g/h
Potenza nominale forno	1,1 kW, 89 g/h	
Potenza nominale grill	1,3 kW, 95 g/h	-
Potenza nominale piano cottura		
Bruciatore sinistro	2,2 kW, 160 g/h	
Bruciatore destro	1,8 kW, 131 g/h	
Volume dell'aria di combustione	12,8 m ³ /h	10,2 m ³ /h
Pressione di collegamento	fig. 6 , pagina 8	
Dimensioni (A x L x P)	508 x 450 x 358 mm	398 x 449 x 357 mm
Peso	18,50 kg	15,50 kg
Dimensioni bruciatore piano cottura		
Bruciatore sinistro	Ø 62 mm	
Bruciatore destro	Ø 70 mm	
Omologazioni		

Lees deze gebruiksaanwijzing zorgvuldig door en volg alle instructies, richtlijnen en waarschuwingen in deze handleiding op om ervoor te zorgen dat u het product te allen tijde op de juiste manier installeert, gebruikt en onderhoudt. Deze gebruiksaanwijzing MOET bij dit product bewaard worden.

Door het product te gebruiken, bevestigt u hierbij dat u alle instructies, richtlijnen en waarschuwingen zorgvuldig hebt gelezen en dat u de voorwaarden zoals hierin beschreven begrijpt en accepteert. U gaat ermee akkoord dit product alleen te gebruiken voor het beoogde doel en de beoogde toepassing en in overeenstemming met de instructies, richtlijnen en waarschuwingen zoals beschreven in deze gebruiksaanwijzing en in overeenstemming met de geldende wet- en regelgeving. Het niet lezen en opvolgen van de hierin beschreven instructies en waarschuwingen kan leiden tot letsel voor uzelf en anderen, schade aan uw product of schade aan andere eigendommen in de omgeving. Deze gebruiksaanwijzing, met inbegrip van de instructies, richtlijnen en waarschuwingen, en de bijbehorende documentatie kan onderhevig zijn aan wijzigingen en updates. Actuele productinformatie vindt u op documents.dometic.com.

Inhoud

Verklaring van de symbolen	87
Veiligheidsaanwijzingen	87
Omvang van de levering	90
Doelgroepen	90
Beoogd gebruik	90
Technische beschrijving	90
Installatie	91
Gebruik	92
Energie besparen	94
Reiniging en onderhoud	94
Opbergen	95
Problemen oplossen	95
Garantie	96
Afvalverwijdering	96
Technische gegevens	97

Verklaring van de symbolen



WAARSCHUWING!

Veiligheidsaanwijzing: duidt op een gevaarlijke situatie die, indien deze niet wordt voorkomen, kan leiden tot ernstig letsel of de dood.



VOORZICHTIG!

Veiligheidsaanwijzing: duidt op een gevaarlijke situatie die, indien deze niet wordt voorkomen, kan leiden tot licht of matig letsel.



LET OP!

Duidt op een situatie die, indien deze niet wordt voorkomen, kan leiden tot materiële schade.



INSTRUCTIE

Aanvullende informatie voor het gebruik van het product.

Veiligheidsaanwijzingen

Inleidende opmerkingen

- Controleer vóór de installatie of de plaatselijke gasvoorziening (soort gas en gasdruk) compatibel is met de afstelling van het toestel.
- De afstelvoorwaarden voor dit toestel zijn vermeld op het etiket (of typeplaatje).
- Dit toestel is niet aangesloten op een afvoersysteem voor verbrandingsproducten. Het moet worden geïnstalleerd en aangesloten conform de actuele installatievoorschriften. Er moet met name aandacht worden besteed aan de van toepassing zijnde vereisten met betrekking tot ventilatie.

Algemene veiligheid



WAARSCHUWING! Het niet in acht nemen van deze waarschuwingen kan leiden tot ernstig letsel of de dood.

Explosiegevaar

- Dit toestel mag uitsluitend worden gerepareerd door bevoegd personeel. Door ondeskundige reparaties kunnen grote gevaren ontstaan.
- Dit toestel moet worden gemonteerd in overeenstemming met de van toepassing zijnde nationale regelgeving in het land van gebruik.
- Dit toestel mag alleen in een goed geventileerde ruimte worden gebruikt.
- Lees de instructies alvorens dit toestel te installeren of te gebruiken.
- Breng geen wijzigingen aan het toestel aan.

- Verwijder of vervang geen onderdelen van dit toestel.
- Indien vereist door de nationale voorschriften, moet de gasslang worden vervangen.
- Draai of rek de gastoevoerslang niet uit, knijp er niet in en belast deze niet op enige andere manier.

Brandgevaar

- Laat dit toestel tijdens gebruik of als het heet is niet onbeheerd achter.
- Kinderen moeten onder toezicht staan om te garanderen dat ze niet met het toestel spelen.
- Zorg dat u een geschikte brandblusser paraat heeft.
Zorg ervoor dat de brandblusser regelmatig wordt gecontroleerd door deskundig personeel.

Gevaar voor verbranding

- Houd handen, gezicht en haar uit de buurt van branders.
- Draag geen loszittende kleding en laat lang haar niet los hangen terwijl u dit toestel aansteekt of gebruikt.
- Houd kinderen en huisdieren uit de buurt.
- Houd alle activiteiten rond dit toestel nauwlettend in de gaten om brandwonden of ander letsel te voorkomen.
- Verplaats het toestel niet tijdens gebruik.

Gevaar voor de gezondheid

- Dit toestel mag worden gebruikt door kinderen vanaf 8 jaar en ouder evenals door personen met verminderd fysiek, zintuiglijk of mentaal vermogen of gebrek aan kennis en ervaring, mits zij onder toezicht staan of zijn geïnstrueerd in het veilig gebruik van het toestel en zij inzicht hebben in de gevaren die het gebruik van het toestel met zich meebrengt.
- Kinderen moeten onder toezicht staan om te garanderen dat ze niet met het toestel spelen.



VOORZICHTIG! Het niet in acht nemen van deze waarschuwingen kan leiden tot licht of matig letsel.

Gevaar voor letsel

- Als het toestel een glazen deksel heeft en mocht het glazen deksel breken:
 - Schakel onmiddellijk alle branders en elektrische verwarmingselementen uit en ontkoppel het toestel van de stroomvoorziening.
 - Raak het oppervlak van het toestel niet aan.
 - Gebruik het toestel niet.



LET OP! Gevaar voor schade

- Als het toestel een glazen deksel heeft:
 - Sluit het glazen deksel alvorens aan de reis te beginnen.
 - Zet alle branders uit alvorens het glazen deksel te sluiten.

Veiligheidsmaatregelen bij het gebruik van vloeibaar gas



WAARSCHUWING! Het niet in acht nemen van deze waarschuwingen kan leiden tot ernstig letsel of de dood.

Explosiegevaar

- Ontkoppel de gasfles na gebruik altijd van het toestel.
- Bewaar flessen met vloeibaar gas uit te buurt van verwarmings- of kooktoestellen en andere licht- of hittebronnen, in een goed geventileerde ruimte en buiten bereik van kinderen.
- Bewaar de flessen met vloeibaar gas **nooit** op niet-geventileerde plaatsen of onder grondniveau (trechtersvormige kuilen in de grond).
- Bewaar flessen met vloeibaar gas **nooit** in gebouwen zoals garages.
- Elke vorm van opslag binnenshuis moet voldoen aan nationale wet- en regelgeving.
- Bewaar flessen met vloeibaar gas niet op hun zij.
- Bescherm flessen met vloeibaar gas tegen directe zonnestralen. De temperatuur mag niet hoger zijn dan 50 °C.

Veiligheid bij het gebruik van het toestel



GEVAAR! Niet-inachtneming van deze instructies leidt tot ernstig letsel of de dood.

Gevaar voor koolmonoxidevergiftiging

- Bij het verbranden van vloeibaar gas komt koolmonoxide vrij, dat zich in afgesloten ruimtes ophoopt. Gebruik dit toestel alleen met voldoende ventilatie.

Verstikkingsgevaar

- Gebruik van dit toestel in een niet-geventileerde ruimte leidt tot zuurstoftekort in deze ruimte.
- Gebruik het toestel niet als verwarming.
- Het gebruik van een gaskooktoestel resulteert in hitte, vocht en verbrandingsproducten in de ruimte waarin het wordt geïnstalleerd.
 - Zorg ervoor dat de keuken goed is geventileerd, vooral als het toestel in gebruik is.
 - Houd de natuurlijke ventilatieopeningen open of monteer een mechanische ventilatie (bijv. een mechanische afzuigkap).
- Langdurig intensief gebruik van het toestel kan extra ventilatie noodzakelijk maken, bijvoorbeeld het openen van een raam of een effectievere ventilatie, bijvoorbeeld door het niveau van mechanische ventilatie te verhogen, indien aanwezig.



WAARSCHUWING! Het niet in acht nemen van deze waarschuwingen kan leiden tot ernstig letsel of de dood.

Explosiegevaar

- Gebruik dit toestel niet als het lekkages bevat, beschadigd is of niet correct werkt.
- Gebruik het toestel nooit in de volgende situaties:
 - Op tankstations
 - Op veerboten
 - Tijdens transport van de caravan of camper met een transport- of sleepwagen
- Onderbreek de gastoevoer in geval van brand.
- Plaats geen chemicaliën, ontvlambare materialen of spuitbussen in de buurt van dit toestel.
- Controleer het product nooit met open vuur op gaslekken.

- In geval van een gasgeur:
 - Probeer dit toestel niet aan te steken.
 - Doof eventuele vlammen.
 - Sluit de gastoevoer af.
 - Ontkoppel het toestel van de gastoevoer.
 - Wanneer u het apparaat binnenshuis gebruikt, open dan de ramen en evacueer het voertuig.
 - Laat de gasinstallatie door een vakbedrijf controleren.
- Bevestig en verwijder de gasfles uitsluitend buiten, uit de buurt van een vlam, controlelamp of andere ontstekingsbron en alleen als dit toestel koel is.
- Controleer voor gebruik van de gasfles of de afdichting tussen dit toestel en de gasfles op zijn plek zit en in goede staat is.
- Gebruik dit toestel niet als de afdichting is beschadigd of versleten.
- Draai de gastoevoer van de gasfles na gebruik dicht.

Brandgevaar

- Dit toestel moet tijdens het gebruik uit de buurt van ontvlambare materialen worden gehouden.
- Plaats geen andere voorwerpen dan kookgerei op of tegen dit toestel.
- Plaats dit toestel niet in de buurt van ontvlambare materialen (papier, droge bladeren, textiel).
- Houd ontvlambare voorwerpen uit de buurt van de brander.
- Plaats handgrepen van kookgerei als volgt:
 - Zorg ervoor dat handvaten van kookgerei nooit buiten de rand van het toestel uitsteken.
 - Draai handvaten van kookgerei naar binnen, maar niet boven andere branders.
- Gebruik niet te veel vet of olie.
- Gebruik alleen droge onderleggers voor heet kookgerei.
- Schakel het toestel uit alvorens het kookgerei te verwijderen.
- Gebruik dit toestel alleen als een volwassene erop kan letten.

Gevaar voor verbranding

- Aanraakbare onderdelen kunnen erg heet zijn. Houd jonge kinderen op afstand.



VOORZICHTIG! Het niet in acht nemen van deze waarschuwingen kan leiden tot licht of matig letsel.

Gevaar voor verbranding


- Gebruik beschermende handschoenen bij de omgang met hete onderdelen.
- Laat het toestel afkoelen alvorens het met blote handen aan te raken.
- Wanneer een brander handmatig wordt aangestoken:
 - Gebruik lange lucifers of een geschikte aanstekker.
 - Trek de handen snel terug zodra de brander ontsteekt.
- Het gebruik van alcohol, geneesmiddelen of drugs kan uw bekwaamheid om dit toestel op de juiste manier te monteren of veilig te bedienen, beïnvloeden.



LET OP! Gevaar voor schade

- Gebruik geen externe timer of afstandsbedieningssysteem.

Omvang van de levering

Nr. in afb.  , pagina 3	Onderdeel	Aantal
1	Pannenhouder	1
2	Bakplaat	1
3	Ovenrooster	1
4	Fornuis met gasoven	1
5	Montageplaat	2

Doelgroepen



De montage en installatie van de gasaansluiting moet worden uitgevoerd door bevoegd personeel met aantoonbare kennis en vaardigheden op het gebied van de constructie, installatie en werking van gasapparatuur, die is opgeleid om de gevaren die gasapparatuur met zich meebrengt veilig te herkennen en te voorkomen.

Beoogd gebruik

Het fornuis met gasoven is bedoeld voor het koken en bakken van voedsel.

Alleen CU351MK: Het fornuis met gasoven is ook bedoeld voor het grillen van voedsel.

Het fornuis met gasoven is uitsluitend bedoeld voor gebruik op boten en op zee. Voor gebruik in besloten ruimten moet zijn voldaan aan de vereisten afgebeeld in afb. **5**, pagina 7. In gevallen met 3 wanden moet 30% van het totale wandoppervlak open en onbelemmerd zijn.

Het fornuis met gasoven is **niet** bedoeld voor gebruik op een open dek, in voertuigen of in gebouwen.

Dit product is alleen geschikt voor het beoogde gebruik en de toepassing in overeenstemming met deze gebruiksaanwijzing.

Deze handleiding geeft informatie die nodig is voor een correcte installatie en/of correct gebruik van het product. Een slechte installatie en/of onjuist gebruik of onjuist onderhoud leidt tot onbevredigende prestaties en mogelijke storingen.

De fabrikant aanvaardt geen aansprakelijkheid voor letsel of schade aan het product als gevolg van:

- Onjuiste montage of aansluiting, inclusief te hoge spanning
- Onjuist onderhoud of gebruik van andere dan door de fabrikant geleverde originele reserveonderdelen
- Wijzigingen aan het product zonder uitdrukkelijke toestemming van de fabrikant
- Gebruik voor andere doeleinden dan beschreven in deze handleiding

Kampa behoudt zich het recht voor om het uiterlijk en de specificaties van het product te wijzigen.

Technische beschrijving

Het fornuis met gasoven kan koken en bakken.

Alleen CU351MK: Het fornuis met gasoven kan ook grillen.

Het fornuis met gasoven is bevestigd met montageplaten en een pen die ervoor zorgt dat het toestel op zijn plaats blijft tijdens golfbewegingen. Het toestel is voorzien van een pannenhouders die ervoor zorgt dat het kookgerei stevig op het fornuis staat en niet verschuift tijdens golfbewegingen.

Het fornuis met gasoven moet worden aangesloten op een gasfles.

CU354MK

Nr. in afb. 2 , pagina 4	Onderdeel
1	Pannenhouders
2	Oventemperatuurregelaar
3	Ovenrooster
4	Bakplaat
5	Ovendeur
6	Temperatuurregelaar van de rechter brander
7	Temperatuurregelaar van de linker brander

CU351MK

Nr. in afb. 3 , pagina 5	Onderdeel
1	Pannenhouders
2	Oventemperatuurregelaar
3	Grilltemperatuurregelaar
4	Grill
5	Bakplaat
6	Ovenrooster
7	Ovendeur

Nr. in afb. 3 , pagina 5	Onderdeel
8	Temperatuurregelaar van de rechter brander
9	Temperatuurregelaar van de linker brander

Temperatuurregelaars

De oventemperatuur en de vlamgrootte van de branders kunnen worden geregeld (afb. **4**, pagina 6).

Temperatuurbereiken oven

Positie	1	2	3
Temperatuur	130 °C	160 °C	180 °C

Positie	4	5	6
Temperatuur	200 °C	220 °C	240 °C

Installatie



WAARSCHUWING! Explosiegevaar

- Alvorens het fornuis met gasoven te installeren, dient u te controleren of de gaskwaliteit en -druk en de gastoevoerregelaars compatibel zijn met het fornuis met gasoven.

Neem de specificaties van de gasregeling voor het fornuis met gasoven op het typeplaatje en de specificaties in hoofdstuk „Technische gegevens” op pagina 97 in acht.

- Het fornuis met gasoven is niet aangesloten op een afzuigkap. Installeer het fornuis met gasoven in overeenstemming met de geldende installatievoorwaarden.

Een montageplaats kiezen

Neem bij de keuze van de opstelplaats voor het fornuis met gasoven de volgende aanwijzingen in acht:

- Plaats het fornuis met gasoven buiten of in een afgesloten ruimte die voldoet aan de vereisten zoals afgebeeld in afb. **5**, pagina 7.
- De ruimte moet goed geventileerd zijn.
- Plaats het fornuis met gasoven niet in een kuil om te voorkomen dat zich daar gassen verzamelen.
- Bescherm het fornuis met gasoven tegen wind en tocht.
- De ondergrond moet stevig, vlak en stabiel zijn.
- De behuizing en de grillkast worden zeer heet tijdens het gebruik. Het fornuis met gasoven moet op een ondergrond staan die bestand is tegen hitte van ten minste 80 °C.

De gasfles aansluiten

Het fornuis met gasoven werkt met gebruikelijke gasflessen die verkrijgbaar zijn in het land waar het wordt gebruikt (afb. **6**, pagina 8).

De gasfles moet voldoen aan de volgende voorwaarden:

- De gasfles moet altijd in het daarvoor bestemde vak worden geplaatst.
- De gasfles moet altijd verticaal worden geplaatst.
- De gasfles moet zijn voorzien van een drukregelaar die gemakkelijk toegankelijk is en niet afgedekt.

De gastoevoer die op het apparaat wordt aangesloten moet een stevige metalen leiding met afdichte aansluitingen zijn. Als er een flexibele slang wordt gebruikt, moet aan de volgende voorwaarden worden voldaan:

- De slang moet gemakkelijk toegankelijk zijn voor inspectiedoeleinden.
- De slang moet beschermd zijn tegen contact met andere onderdelen die warm worden.
- De slang moet beschermd zijn tegen schade.
- De slang moet beschermd zijn tegen beknelling door bewegende onderdelen, bijvoorbeeld laden.
- De slang mag niet langer zijn dan 1,5 m.
- De slang moet vóór de uiterste gebruiksdatum worden vervangen.

1. Sluit de leiding of slang van de gasfles aan op het fornuis met gasoven (afb. **7** tot afb. **8**, pagina 9).
De slang moet worden vastgedraaid met een geschikte sleutel, zoals een verstelbare moersleutel, om een gasdichte afdichting te verkrijgen.
2. Controleer de gaslang of -leiding op lekkage met behulp van een schuimend middel, bijv. zeep.



WAARSCHUWING! Explosiegevaar

Gebruik geen vlam of bijtende vloeistof om de gastoevoer op lekkage te controleren.

Het fornuis met gasoven monteren

1. Zorg voor voldoende afstand tot de muren en andere kasten (zie afb. **9**, pagina 10).
2. Monteer het fornuis met gasoven zoals afgebeeld in afb. **10** tot afb. **11**, pagina 11.

Gebruik



WAARSCHUWING! Explosiegevaar

- Steek de branders aan zodra de gastoevoer is ingeschakeld. Anders kan zich gas verzamelen rond de brander en een explosie veroorzaken.
- Het volledige ontstekingsproces moet van bovenaf zichtbaar zijn en mag niet verborgen zijn door kookgerei dat op het fornuis is geplaatst.



LET OP! Gevaar voor schade

Alleen CU351MK: Gebruik de grill niet langer dan 25 minuten.



INSTRUCTIE

- Tijdens het gebruik van het fornuis met gasoven is er een licht geluid hoorbaar, dat wordt veroorzaakt door het ontsnappen van gas.
- Wanneer het fornuis met gasoven voor het eerst wordt gebruikt, kan rook ontstaan. Dit wordt veroorzaakt door het verbranden van afzettingen van machieolie en stopt na ongeveer 10 minuten.
- **Alleen CU351MK:** De grill mag niet als oven worden gebruikt.
- Bij gebruik van propaangas (G31) is de vlam blauw zonder gele pieken.
- Bij gebruik van butaangas (G30) is de vlam bij het ontsteken blauw met gele pieken. De gele pieken worden intenser wanneer de brander is opgewarmd.

De branders aansteken

- Steek het fornuis aan zoals afgebeeld in afb. **12** (1) pagina 12 en afb. **13**, pagina 13.
- **Alleen CU351MK:** Steek de grill aan zoals afgebeeld in afb. **12** (2) pagina 12 en afb. **14**, pagina 14.
- Steek de oven aan zoals afgebeeld in afb. **12** (3) pagina 12 en afb. **15**, pagina 15.

De branders regelen



LET OP! Gevaar voor schade

Zorg ervoor dat de bakplaat, het ovenrooster en het kookgerei niet in contact komen met de vlammen in de oven.



INSTRUCTIE

- Nadat u de oven voor de eerste keer hebt aangestoken, laat u de oven ten minste 30 minuten op de hoogste temperatuur staan, alvorens deze te reguleren.
- Nadat u het fornuis voor de eerste keer hebt aangestoken, laat u de desbetreffende vlam voor 15 – 20 minuten op de hoogste vlamgrootte staan, alvorens deze te reguleren.

- Stel de desbetreffende temperatuurregelaar op de gewenste temperatuur of vlamgrootte (zie hoofdstuk „Temperatuurregelaars“ op pagina 91 en hoofdstuk „Temperatuurbereiken oven“ op pagina 91).
- ✓ Als de brander van de oven is aangestoken, blijft de vlam op de hoogste vlam. Als de oven de ingestelde temperatuur bereikt, keert de vlam automatisch terug naar een lagere vlam.

Het fornuis gebruiken



WAARSCHUWING! Brandgevaar

De vlam mag niet buiten de rand van het kookgerei uitsteken. Plaats het kookgerei in het midden boven de brander en zorg voor een stabiele stand met behulp van de pannenhouder.

- Gebruik geschikt kookgerei. Let op de diameter van de brander en het kookgerei:

Diameter brander	Diameter kookgerei
∅ 62 mm	16 – 22 cm
∅ 77 mm	16 – 22 cm

- Zet het kookgerei vast in de pannenhouder met behulp van de knoppen op de pannenhouder (zie afb. **16**, pagina 16).

De grill gebruiken (alleen CU351MK)



VOORZICHTIG! Gevaar voor verbranding

- Trek het hitteschild naar buiten om te voorkomen dat de knoppen door de grill worden verwarmd.
- Het hitteschild is zeer heet tijdens en na het gebruik van de grill. Gebruik beschermende handschoenen wanneer u het hitteschild aanraakt.

- Gebruik het hitteschild zoals afgebeeld in afb. **17**, pagina 16.

Het fornuis met gasoven uitschakelen

- Schakel het fornuis met gasoven uit zoals afgebeeld in afb. **18**, pagina 17.

Energie besparen

- ▶ Schakel het fornuis met gasoven na gebruik uit (zie hoofdstuk „Het fornuis met gasoven uitschakelen” op pagina 93).
- ▶ Sluit de oven deur tijdens het gebruik van de oven.

Reiniging en onderhoud



WAARSCHUWING! Explosiegevaar

Gebruik geen vlam of bijtende vloeistof om de gastoevoer op lekkage te controleren.



VOORZICHTIG! Gevaar voor verbranding

Het fornuis met gasoven is tijdens en na gebruik erg heet. Schakel het fornuis met gasoven uit. Laat het fornuis met gasoven afkoelen alvorens dit te reinigen, in te pakken of te transporteren.



LET OP! Gevaar voor schade

- Gebruik geen schurende, bijtende, gechloreerde of grove schoonmaakmiddelen of borstels om fornuis en gasoven schoon te maken.
- Gebruik geen stoomreinigers.
- Gebruik geen perslucht om de gaskring te reinigen.
- Verwijder azijn, zout, citroenzuur of andere zure of basische stoffen van fornuis en gasoven.

- ▶ Reinig fornuis en gasoven met een vochtige doek en neutrale schoonmaakmiddelen (afb. 19, pagina 17).
- ▶ Reinig de brander van de oven met water zoals afgebeeld in afb. 20, pagina 18.
- ▶ Neem contact op met een geautoriseerde klantenservice om de gasverstuivers te reinigen of vervangen.

De branders onderhouden



WAARSCHUWING! Brandgevaar

Spinnen kunnen webben spinnen en insecten kunnen nesten in de branders bouwen. De webben en nesten kunnen de gasstroom belemmeren en brand veroorzaken. Verwijder insecten, spinnen, nesten of webben in de brander.

1. Controleer de branders tweemaal per maand op webben en nesten.
2. Verwijder indien nodig de insecten, spinnen, nesten en webben in de brander.

De gasfles vervangen



WAARSCHUWING! Gevaar voor de gezondheid

- Vervang de gasfles op een goed geventileerde plaats.
- Zorg ervoor dat er geen open vlammen of vuur in de buurt zijn.
- Vervang de gasfles uitsluitend als het fornuis met gasoven is uitgeschakeld.

1. Sluit de gaskraan op de gasfles.
2. Schroef de regelaar van de gasfles.
3. Als er een gasslang wordt gebruikt, controleer dan of de slang niet defect is.
4. Vervang de slang indien nodig (zie hoofdstuk „De slang vervangen” op pagina 94).
5. Schroef de regelaar met de hand in de nieuwe gasfles.

De slang vervangen



WAARSCHUWING! Gevaar voor de gezondheid

- Vervang de slang op een goed geventileerde plaats.
- Zorg ervoor dat er geen open vlammen of vuur in de buurt zijn.
- Vervang de slang alleen wanneer het fornuis met gasoven is uitgeschakeld.

1. Sluit de gaskraan op de gasfles.
2. Schroef de regelaar van de gasfles.
3. Vervang de gasslang.

4. Schroef de regelaar met de hand in de gasfles.
5. Controleer de gasslang op lekkage met behulp van een schuimend middel, bijv. zeep.

Opbergen



WAARSCHUWING! Gevaar voor verbranding

Het fornuis met gasoven is tijdens en na gebruik erg heet. Schakel het fornuis met gasoven uit. Laat het fornuis met gasoven afkoelen alvorens dit in te pakken of te transporteren.

1. Sluit de gaskraan op de gasfles.
2. Reinig het fornuis met gasoven (zie hoofdstuk „Reiniging en onderhoud“ op pagina 94).

Problemen oplossen

Fout	Mogelijke oorzaak	Oplossing
Het toestel ontsteekt niet.	Het verkeerde gas wordt gebruikt.	<ul style="list-style-type: none"> ▶ Gebruik voldoende gas. Neem de specificaties van de gasregeling voor het fornuis met gasoven op het typeplaatje en de specificaties in hoofdstuk „Technische gegevens“ op pagina 97 in acht. ▶ Vervang indien nodig de gasfles (zie hoofdstuk „De gasfles vervangen“ op pagina 94).
	De gasfles is leeg.	<ul style="list-style-type: none"> ▶ Vervang de gasfles (zie hoofdstuk „De gasfles vervangen“ op pagina 94).
	De slang is defect.	<ul style="list-style-type: none"> ▶ Vervang de slang (zie hoofdstuk „De slang vervangen“ op pagina 94).
	Er is een storing of slechte verbinding.	<ul style="list-style-type: none"> ▶ Sluit de leiding of slang opnieuw aan (hoofdstuk „De gasfles aansluiten“ op pagina 92). ▶ Schakel indien nodig de gastoevoer uit en neem contact op met een erkende klantenservice.
	Het thermokoppel is defect.	<ul style="list-style-type: none"> ▶ Schakel de gastoevoer uit en neem contact op met een erkende klantenservice.
De branders van het fornuis ontsteken niet.	Er vindt geen vonkvorming plaats.	<ul style="list-style-type: none"> ▶ Draai de desbetreffende regelaar van de brander op het laagste niveau en steek de brander aan (zie hoofdstuk „De branders aansteken“ op pagina 93).

Fout	Mogelijke oorzaak	Oplossing
De oven ontsteekt niet.	Er vindt geen vonkvorming plaats.	<ul style="list-style-type: none"> ▶ Schakel de oven voor 1 minuut uit. ▶ Schakel de oven in (zie hoofdstuk „De branders regelen“ op pagina 93).
Alleen CU351MK: De grill ontsteekt niet.	Er vindt geen vonkvorming plaats.	<ul style="list-style-type: none"> ▶ Schakel de grill voor 1 minuut uit. ▶ Schakel de grill in (zie hoofdstuk „Het fornuis gebruiken“ op pagina 93).

Garantie

De wettelijke garantieperiode is van toepassing. Als het product defect is, neem dan contact op met de detailhandel of met het filiaal van de fabrikant in uw land (zie dometic.com/dealer).

Stuur voor de afhandeling van reparaties of garantie de volgende documenten mee:

- Een kopie van de factuur met datum van aankoop
- De reden voor de claim of een beschrijving van de fout


Houd er rekening mee dat eigenmachtige of niet-professionele reparatie gevolgen voor de veiligheid kan hebben en dat de garantie hierdoor kan komen te vervallen.

Afvalverwijdering



- ▶ Gooi het verpakkingsmateriaal indien mogelijk altijd in recyclingafvalbakken.
- ▶ Vraag het dichtstbijzijnde recyclingcentrum of uw dealer naar informatie over hoe het product kan worden weggegooid in overeenstemming met alle van toepassing zijnde nationale en lokale regelgeving.

Technische gegevens

	CU351MK	CU354MK
Totaal nominaal vermogen	6,4 kW, 466 g/h	5,1 kW, 371 g/h
Nominaal vermogen oven	1,1 kW, 89 g/h	
Nominaal vermogen grill	1,3 kW, 95 g/h	–
Nominaal vermogen fornuis		
Linker brander	2,2 kW, 160 g/h	
Rechter brander	1,8 kW, 131 g/h	
Verbrandingsluchtvolume	12,8 m ³ /h	10,2 m ³ /h
Aansluitdruk	afb. 6 , pagina 8	
Afmetingen (h x b x d)	508 x 450 x 358 mm	398 x 449 x 357 mm
Gewicht	18,50 kg	15,50 kg
Afmeting van de branders		
Linker brander	Ø 62 mm	
Rechter brander	Ø 70 mm	
Certificeringen		

Læs og følg alle disse anvisninger, retningslinjer og advarsler i denne produktvejledning grundigt for at sikre, at du altid installerer, bruger og vedligeholder produktet korrekt. Disse anvisninger SKAL opbevares sammen med dette produkt.

Ved at benytte produktet bekræfter du hermed, at du har læst alle anvisninger, retningslinjer og advarsler grundigt, og at du forstår og er indforstået med de vilkår og betingelser, der er fastlagt heri. Du er indforstået med kun at bruge dette produkt til det beregnede formål og anvendelse i overensstemmelse med anvisningerne, retningslinjerne og advarslerne i denne produktvejledning samt i overensstemmelse med alle de gældende love og forskrifter. Manglende læsning og ignorerung af disse anvisninger og advarsler kan medføre kvæstelser på dig selv og andre, skade på dit produkt eller skade på anden ejendom i nærheden. Der tages forbehold for eventuelle ændringer og opdateringer af denne produktvejledning samt anvisningerne, retningslinjerne og advarslerne samt den tilhørende dokumentation. Se documents.dometic.com for de nyeste produktinformationer.

Indhold

Forklaring af symboler	98
Sikkerhedshenvisninger	98
Leveringsomfang	100
Målgrupper	101
Korrekt brug	101
Teknisk beskrivelse	101
Montering	102
Betjening	103
Energibesparelse	104
Rengøring og vedligeholdelse	104
Opbevaring	105
Udbedring af fejl	105
Garanti	106
Bortskaffelse	106
Tekniske data	106

Forklaring af symboler



ADVARSEL!

Sikkerhedshenvisning: Angiver en farlig situation, som kan medføre dødsfald eller alvorlig kvæstelse, såfremt den ikke undgås.



FORSIGTIG!

Sikkerhedshenvisning: Angiver en farlig situation, som kan medføre mindre eller lette kvæstelser, såfremt den ikke undgås.



VIGTIGT!

Angiver en situation, som kan medføre materielle skader, såfremt den ikke undgås.



BEMÆRK

Supplerende oplysninger om betjening af produktet.

Sikkerhedshenvisninger

Inledende bemærkninger

- Før monteringen skal du sikre, at de lokale fordelelsesbetingelser (gastypen og gastrykket) og justeringen af apparatet er kompatible.
- Apparatets justeringsbetingelser er angivet på mærket (eller dataplade).
- Dette apparat er ikke forbundet med en udsugningsanordning til forbrændingsprodukter. Det skal monteres og tilsluttes iht. de gældende installationsforskrifter. Vær især opmærksom på de relevante krav angående ventilation.

Grundlæggende sikkerhed



ADVARSEL! Manglende overholdelse af disse advarsler kan medføre dødelige eller alvorlige kvæstelser.

Eksplisionsfare

- Reparationer på dette apparat må kun foretages af kvalificeret personale. Ved ukorrekte reparationer kan der opstå alvorlige farer.
- Dette apparat skal installeres i overensstemmelse med alle gældende nationale bestemmelser i landet, hvor det bruges.
- Dette apparat må kun bruges på steder med god ventilation.
- Læs anvisningerne, før dette apparat monteres eller anvendes.
- Apparatet må ikke ændres.
- Du må ikke fjerne eller omplacere nogen af apparatets komponenter.
- Gasslangen skal ændres, hvis dette kræves i det nationale forskrifter.

- Du må ikke sno, strække, klemme eller udsætte gasforsyningsslangen for andre belastninger.

Brandfare

- Lad ikke dette apparat være uden opsyn, mens det anvendes.
- Børn skal overvåges for at sikre, at de ikke leger med apparatet.
- Hav en egnet brandslukker i nærheden.
- Sørg for, at brandslukkeren kontrolleres regelmæssigt af kompetent personale.

Forbrændingsfare

- Hold hænder, ansigt og hår væk fra brænderne.
- Bær ikke løst tøj, og lad ikke håret hænge frit ned, mens du tænder eller bruger dette apparat.
- Hold børn og dyr på afstand.
- Hold grundigt øje med alle aktiviteter omkring apparatet for at undgå forbrændinger eller andre kvæstelser.
- Flyt ikke apparatet under brug.

Sundhedsfare

- Dette apparat kan anvendes af børn over 8 år og personer med reducerede fysiske, sanse- eller mentale evner eller uden erfaring eller viden, hvis de er under opsyn eller er blevet instrueret i sikker brug af apparatet og forstår de involverede farer.
- Børn skal overvåges for at sikre, at de ikke leger med apparatet.



FORSIGTIG! Manglende overholdelse af disse forsigtighedshenvisninger kan medføre mindre eller moderate kvæstelser.

Fare for kvæstelser

- Hvis apparatet har et glaslag, skal du - hvis det går i stykker - gøre følgende:
 - Sluk straks for alle brændere og alle elektriske varmeelementer, og isolér apparatet fra strømforsyningen.
 - Berør ikke apparatets overflade.
 - Undlad at bruge apparatet.



VIGTIGT! Fare for beskadigelse

- Hvis apparatet har et glaslag:
 - Luk glaslaget, før turen påbegyndes.
 - Sluk for alle brændere, før glaslaget lukkes.

Sikkerhedsforanstaltninger under håndtering af F-gas



ADVARSEL! Manglende overholdelse af disse advarsler kan medføre dødelige eller alvorlige kvæstelser.

Eksplodingsfare

- Afbryd altid F-gasflasken efter brug.
- Opbevar F-gasflasker væk fra varme- eller madlavningsudstyr og andre lys- eller varmekilder i et godt ventileret område uden for børns rækkevidde.
- Opbevar **aldrig** F-gasflasker på steder, der ikke er ventileret, eller under gulvniveau (tragtformede fordybninger i jorden).
- Opbevar **aldrig** F-gasflasker i bygninger som f.eks. garager.
- Alle indendørs opbevaring skal opfylde de nationale forskrifter.
- Opbevar ikke F-gasflasker på siden.
- Beskyt F-gasflasker mod direkte sollys. Temperaturen bør ikke overskride 50 °C.

Sikkerhed under anvendelse af apparatet



FARE! Hvis disse anvisninger ikke overholdes, vil det medføre dødelige eller alvorlige kvæstelser.

Fare for kulilteforgiftning

- Processen, hvor flydende gas brændes, producerer kulilte, som ophobes i lukkede områder. Brug kun dette apparat, hvor der er tilstrækkelig ventilation.

Fare for kvælning

- Anvendelsen af apparatet med gas i et område, der ikke er ventileret, medfører iltmangel i dette område.
- Du må ikke bruge apparatet som et varmeapparat.
- Brug af et gaskomfur frembringer varme, fugt og forbrændingsgasser i lokalet, hvor det er installeret.
 - Sørg for god ventilation i køkkenet, når apparatet er i brug.
 - Hold naturlige ventilationshuller åbne, eller installer en mekanisk blæser (f.eks. en mekanisk emhætte).

- Intensiv brug af apparatet i længere tid kan kræve yderligere ventilation, f.eks. åbning af et vindue eller mere effektiv ventilation ved at skruer op for emhætten, hvor en sådan findes.



ADVARSEL! Manglende overholdelse af disse advarsler kan medføre dødelige eller alvorlige kvæstelser.

Eksplodingsfare

- Anvend ikke dette apparat, hvis det lækker, er beskadiget eller ikke fungerer korrekt.
- Brug aldrig apparatet i følgende situationer:
 - ved benzintanke
 - på færger
 - under transport af campingvognen eller autocamperen med et transport- eller bugseringskøretøj.
- Luk gasforsyningen i tilfælde af brand.
- Anbring ikke kemikalier, brændbare materialer eller sprayaerosoler i nærheden af dette apparat.
- Brug aldrig en åben flamme for at kontrollere, om produktet er utæt.
- I tilfælde af gaslugt:
 - Lad være med at tænde for dette apparat.
 - Sluk alle åbne flammer.
 - Sluk for gasforsyningen.
 - Afbryd apparatet fra gasforsyningen.
 - Åbn vinduerne, og udluft køretøjet, når apparatet anvendes indendørs.
 - Lad en fagvirksomhed kontrollere gasanlægget.
- Montér eller afmontér kun gasflasken udendørs væk fra åbne flammer, tændflammer eller andre antændelseskilder, og kun når apparatet er koldt.
- Før gasflasken anvendes, skal du kontrollere, at pakningen mellem dette apparat og gasflasken sidder korrekt og er i god stand.
- Brug ikke dette apparat, hvis pakningen er beskadiget eller slidt.
- Sluk for gasforsyningen på gasbeholderen.

Brandfare

- Dette apparat skal holdes væk fra brændbare materialer under brug.
- Anbring ikke andre genstande end kogegrej på eller mod dette apparat.
- Opstil ikke dette apparat i nærheden af brændbare materialer (papir, tørt løv, tekstilprodukter).
- Hold brændbare genstande væk brænderen.

- Placér grebene på kogegrejet som følger:
 - Kogegrejets greb må aldrig rage ud over apparatets kant.
 - Drej kogegrejets greb indad, men ikke så de befinder sig over andre brændere.
- Varm ikke fedt eller olie for kraftigt op.
- Brug kun tørre grydelapper til at håndtere varmt kogegrej.
- Sluk for apparatet, før du fjerner kogegrejet.
- Betjen kun dette apparat, når en voksen har det under opsyn.

Forbrændingsfare

- Tilgængelige dele kan være meget varme. Hold unge børn væk.



FORSIGTIG! Manglende overholdelse af disse forsigtighedshenvisninger kan medføre mindre eller moderate kvæstelser.

Forbrændingsfare

- Anvend beskyttelseshandsker under håndtering af varme komponenter.
- Lad apparatet køle af, før du berører det med bare hænder.
- Når en brænder tændes manuelt:
 - Brug lange tændstikker eller en egnet lighter.
 - Fjern hænderne hurtigt, så snart brænderen tænder.
- Hvis du er påvirket af alkohol eller receptpligtig medicin eller ikke-receptpligtige stoffer, kan det forringe din evne til at samle eller betjene dette apparat korrekt.



VIGTIGT! Fare for beskadigelse

- Du må ikke bruge en ekstern timer eller fjernbetjening.

Leveringsomfang

Nr. på fig. 1, side 3	Komponent	Antal
1	Gryderist	1
2	Bageplade	1
3	Ovnrist	1
4	Gaskomfur	1
5	Monteringsbeslag	2

Målgrupper



Monteringen og installationen af gasslutningen skal udføres af en kvalificeret person, som har dokumenterede færdigheder og viden med hensyn til konstruktion, installation og drift af gasudstyr og har gennemgået sikkerhedsuddannelse til at identificere og undgå de implicerede farer.

Korrekt brug

Gaskorfuret er beregnet til at koge/stege og bage mad.

Kun CU351MK: Gaskorfuret er desuden beregnet til at grille mad.

Gaskorfuret er kun beregnet til brug ombord på både og skibe. Kravene, der vises i fig. 5, side 7, skal overholdes ved brug i lukkede rum. I tilfælde med 3 vægge skal 30 % af det samlede vægareal være åbent og uhindret.

Gaskorfuret er **ikke** beregnet til at blive anvendt i et cockpit, i køretøjer eller bygninger.

Dette produkt er kun egnet til dets beregnede formål og anvendelse i overensstemmelse med disse anvisninger.

Denne vejledning giver dig oplysninger om, hvad der er nødvendigt med henblik på en korrekt montering og/eller drift af produktet. Dårlig montering og/eller ukorrekt drift eller vedligeholdelse medfører utilstrækkelig ydeevne og mulige fejl.

Producenten påtager sig intet ansvar for kvæstelser eller skader i forbindelse med produktet, der skyldes:

- Ukorrekt samling eller forbindelse, inklusive for høj spænding
- Ukorrekt vedligeholdelse eller brug af uoriginale reservedele, der ikke stammer fra producenten
- Ændringer på produktet uden udtrykkelig tilladelse fra producenten
- Brug til andre formål end dem, der er beskrevet i vejledningen

Kampa forbeholder sig retten til at ændre produktets udseende og produktspecifikationer.

Teknisk beskrivelse

Gaskorfuret kan koge, stege og bage madvarer.

Kun CU351MK: Gaskorfuret kan desuden grille.

Gaskorfuret er anbragt på monteringsbeslag og en stift, der sørger for, at apparatet bliver på sin plads ved søgang. Apparatet er udstyret med en gryderist, der sørger for, at kogegrejet står sikkert op kogetoppen og ikke glider ved søgang.

Gaskorfuret skal tilsluttes til en gasflaske.

CU354MK

Nr. på fig. 2, side 4	Komponent
1	Gryderist
2	Ovntemperaturknap
3	Ovnrst
4	Bageplade
5	Ovndør
6	Temperaturknap til højre kogepladebrænder
7	Temperaturknap til venstre kogepladebrænder

CU351MK

Nr. på fig. 3, side 5	Komponent
1	Gryderist
2	Ovntemperaturknap
3	Temperaturknap til grill
4	Grill
5	Bageplade
6	Ovnrst
7	Ovndør

Nr. på
fig. 3,
side 5

Komponent

8	Temperaturknop til højre kogepladebrænder
9	Temperaturknop til venstre kogepladebrænder

Temperaturknapper

Ovntemperaturen og flammehøjden for brænderne kan reguleres (fig. 4, side 6).

Ovntemperaturområder

Position	1	2	3
Temperatur	130 °C	160 °C	180 °C

Position	4	5	6
Temperatur	200 °C	220 °C	240 °C

Montering



ADVARSEL! Eksplosionsfare

- Før gaskomfuret kan installeres, skal det kontrolleres, at gaskvaliteten og -trykket samt gasforsyningsregulatorerne er kompatible med kogetoppen og gasovnen. Overhold forskrifterne for gasspecifikationen for gaskomfuret på mærkepladen og specifikationerne i kapitlet „Tekniske data“ på side 106.
- Gaskomfuret er ikke tilsluttet en emhætte. Installér gaskomfuret i overensstemmelse med de gældende installationsforskrifter.

Valg af et installationssted

Vær opmærksom på følgende henvisninger, når du vælger placeringen for gaskomfuret:

- Anbring gaskomfuret udendørs eller i et lukket rum, som opfylder de krav, der er vist i fig. 5, side 7.
- Området skal have god ventilation.

- Du må ikke placere gaskomfuret i en fordybning, så du undgår, at der samler sig gasser omkring det.
- Beskyt gaskomfuret mod vind og direkte træk.
- Underlaget skal være fast, plant og stabilt.
- Huset og grillkabinettet bliver meget varme under anvendelsen. Gaskomfuret skal stå på et underlag, der som minimum kan modstå 80 °C.

Tilslutning til gasflasken

Gaskomfuret anvendes med almindelige gasflasker, der fås i det land, hvor det benyttes (fig. 6, side 8).

Gasflasken skal opfylde følgende betingelser:

- Gasflasken skal altid være anbragt i det rum, der er beregnet til den.
- Gasflasken skal altid være anbragt lodret.
- Gasflasken skal have en trykregulator, der er nem at nå og som ikke er tildækket.

Den tilsluttede gasforsyning til apparatet skal være et fast metalrør med tætnede forbindelser. Hvis der anvendes en fleksibel slange, skal følgende betingelser opfyldes:

- Der skal være nem adgang til slangen med henblik på inspektion af den.
- Slangen skal være beskyttet mod kontakt med andre dele, der kan blive varme.
- Slangen skal være beskyttet mod at blive beskadiget.
- Slangen skal være beskyttet mod at blive klemt af bevægelige dele som f.eks. skuffer.
- Slangen må ikke være længere end 1,5 m.
- Slangen skal udskiftes inden dens udløbsdato.

- Tilslut gasflaskens rør eller slange til gaskomfuret (fig. 7 til fig. 8, side 9). Slangen skal spændes med en egnet spændenøgle som f.eks. en svensk nøgle for at opnå en gastæt forsejling.
- Kontrollér gasslangen eller -røret for lækage med et skummende middel, f.eks. sæbe.



ADVARSEL! Eksplosionsfare

Brug ikke en flamme eller korrosive væske til at kontrollere gasforsyningen for lækager.

Montering af gaskomfuret

1. Sørg for, at der er en tilstrækkelig afstand til væggene og andre skabe (se fig. **9**, side 10).
2. Monter gaskomfuret som vist i fig. **10** til fig. **11**, side 11.

Betjening



ADVARSEL! Eksplosionsfare

- Tænd for brænderne, så snart gasforsyningen tændes. I modsat fald kan der samle sig gas i brænderområdet, hvilket kan medføre en eksplosion.
- Hele tændingsprocessen skal være synlig ovenfra og må ikke foregå skjult af gryder, der er anbragt på kogepladen.



VIGTIGT! Fare for beskadigelse

Kun CU351MK: Du må ikke bruge grillen i over 25 minutter.



BEMÆRK

- Når gaskomfuret anvendes, kan der høres en let støj, der skyldes, at der siver gas ud.
- Der kan opstå røg, når gaskomfuret anvendes første gang. Det skyldes, at rester af maskinolie forbrændes. Det holder op efter ca. 10 min.
- **Kun CU351MK:** Grillen kan ikke anvendes som ovn.
- Når der anvendes propangas (G31), er flammen blå uden gule spidser.
- Når der anvendes butangas (G30), er flammen blå med gule spidser, når der er tændt. De gule spidser blive mere kraftige, når brænderen varmes op.

Tænding af brænderne

- ▶ Tænd for kogepladen som vist i fig. **12** (1) side 12 og fig. **13**, side 13.
- ▶ **Kun CU351MK:** Tænd for grillen som vist i fig. **12** (2) side 12 og fig. **14**, side 14.
- ▶ Tænd for ovnen som vist i fig. **12** (3) side 12 og fig. **15**, side 15.

Regulering af brænderne



VIGTIGT! Fare for beskadigelse

Sørg for, at bagepladen, ovnrysten og kogegejet ikke kommer i kontakt med flammerne inde i ovnen.



BEMÆRK

- Efter ovnen tændes for første gang, skal ovnen anvendes på den højeste temperatur i mindst 30 minutter, før der reguleres.
- Efter kogepladen tændes første gang, skal flammen for den pågældende kogeplade være på den højeste flammestørrelse i 15 – 20 minutter, før der reguleres.

▶ Indstil den pågældende temperaturregulering å den ønskede temperatur eller flammestørrelse (se kapitlet „Temperaturknapper“ på side 102 og kapitlet „Ovntemperaturområder“ på side 102).

✓ Når ovnens brænder tændes, bliver flammen på den højeste flamme. Når ovnen når den indstillede temperatur, reguleres flammen automatisk ned til en mindre flamme.

Brug af kogepladen



ADVARSEL! Brandfare

Flammen må ikke rage ud over kogegejets kant. Stil kogegejet midt over brænderen, og sørg for, at det står sikkert med gryderisten.

▶ Sørg for at anvende egnet kogegejet. Overhold kogepladebrænderens og kogegejets diameter:

Diameter for kogepladens brænder	Kogegejets diameter
Ø 62 mm	16 – 22 cm
Ø 77 mm	16 – 22 cm

▶ Sørg for at sikre kogegejet i gryderisten med taperne på gryderisten (se fig. **16**, side 16).

Brug af grillen (kun CU351MK)



FORSIGTIG! Forbrændingsfare

- Træk varmeskjoldet ud for at beskytte knapperne mod at blive varmet op af grillen.
- Varmeskjoldet er stadig meget varmt under og efter anvendelsen af grillen. Bær beskyttelsehandsker, når du berører varmeskjoldet.

► Brug varmeskjoldet som vist i fig. 17, side 16.

Slukning af gaskomfuret

► Sluk for gaskomfuret som vist i fig. 18, side 17.

Energibesparelse

► Sluk for gaskomfuret efter brug (se kapitlet „Slukning af gaskomfuret“ på side 104).

► Luk ovndøren, mens du bruger ovnen.

Rengøring og vedligeholdelse



ADVARSEL! Eksplosionsfare

Brug ikke en flamme eller korrosive væske til at kontrollere gasforsyningen for lækager.



FORSIGTIG! Forbrændingsfare

Gaskomfuret er meget varmt under og efter brug. Sluk for gaskomfuret. Lad gaskomfuret køle af, før det rengøres, tages op eller transporteres.



VIGTIGT! Fare for beskadigelse

- Du må ikke anvende slibende, korrosive, klorholdige eller grove rengøringsmidler eller børster til at rengøre gaskomfuret.
- Du må ikke bruge en damprenser.
- Du må ikke anvende trykluft til at rengøre gaskredsløbet.
- Fjern eddike, salte, citronsyre eller andre syreholdige eller alkaliske stoffer fra gaskomfuret.

► Rengør gaskomfuret med en fugtig klud med neutrale rengøringsmidler (fig. 19, side 17).

► Rengør ovnbrænderen med vand som vist i fig. 20, side 18.

► Kontakt et autoriseret servicecenter for at rengøre eller udskifte gasinjektorerne.

Vedligeholdelse af brænderne



ADVARSEL! Brandfare

Edderkopper kan lave edderkoppespind, og insekter kan bygge reder i brænderne. Spindene og rederne kan forhindre gasflowet og forårsage en brand. Fjern alle insekter, edderkopper, reder eller edderkoppespind i brænderne.

1. Kontrollér brænderne to gange om måneden for edderkoppespind og reder.
2. Fjern om nødvendigt insekter, edderkopper, reder eller edderkoppespind i brænderne.

Udskiftning af gasflasken



ADVARSEL! Sundhedsfare

- Udskift gasflasken i et område med god ventilation.
- Sørg for, at der ikke er åbne flammer i området.
- Skift kun gasflasken, når gaskomfuret er slukket.

1. Luk gasventilen på gasflasken.
2. Skru regulatoren af gasflasken.
3. Hvis der anvendes en gasslange, skal du sikre, at slangen ikke er defekt.
4. Udskift om nødvendigt slangen (se kapitlet „Udskiftning af slangen“ på side 104).
5. Skru regulatoren manuelt på den nye gasflaske.

Udskiftning af slangen



ADVARSEL! Sundhedsfare

- Udskift slangen i et område med god ventilation.
- Sørg for, at der ikke er åbne flammer i området.
- Skift kun slangen, når gaskomfuret er slukket.

1. Luk gasventilen på gasflasken.
2. Skru regulatoren af gasflasken.
3. Udskift gasslangen.
4. Skru regulatoren manuelt på gasflasken.
5. Kontrollér gasslangen eller for lækage med et skummende middel, f.eks. sæbe.

Opbevaring



ADVARSEL! Forbrændingsfare

Gaskomfuret er meget varmt under og efter brug. Sluk for gaskomfuret. Lad gaskomfuret køle af, før det tages op eller transporteres.

1. Luk gasventilen på gasflasken.
2. Rengør gaskomfuret (se kapitlet „Rengøring og vedligeholdelse“ på side 104).

Udbedring af fejl

Fejl	Mulig årsag	Afhjælpning
Apparatet tænder ikke.	Der anvendes den forkerte gas.	<ul style="list-style-type: none"> ▶ Sørg for at bruge tilstrækkelig gas. Overhold forskrifterne for gasspecifikationen for gaskomfuret på mærkepladen og specifikationerne i kapitlet „Tekniske data“ på side 106. ▶ Udskift om nødvendigt gasflasken (se kapitlet „Udskiftning af gasflasken“ på side 104).
	Gasflasken er tom.	<ul style="list-style-type: none"> ▶ Skift gasflasken (se kapitlet „Udskiftning af gasflasken“ på side 104).
	Slangen er defekt.	<ul style="list-style-type: none"> ▶ Skift slangen (se kapitlet „Udskiftning af slangen“ på side 104).
	Der findes en fejlfunktion eller dårlige tilslutninger.	<ul style="list-style-type: none"> ▶ Sæt røret eller slangen på igen (kapitlet „Tilslutning til gasflasken“ på side 102). ▶ Afbryd om nødvendigt gasforsyningen, og kontakt en autoriseret servicerepræsentant.
	Termoelementet er defekt.	<ul style="list-style-type: none"> ▶ Afbryd gasforsyningen, og kontakt en autoriseret servicerepræsentant.
	Gaskomfuret er defekt.	
Kogepladens brændere tænder ikke.	Der dannes ingen gnister.	<ul style="list-style-type: none"> ▶ Anbring knappen til den pågældende kogepladebrænder på det laveste niveau, og tænd for kogepladens brænder (se kapitlet „Tænding af brænderne“ på side 103).

Fejl	Mulig årsag	Afhjælpning
Ovnen tænder ikke.	Der dannes ingen gnister.	<ul style="list-style-type: none"> ➤ Sluk for ovnen i 1 minut. ➤ Tænd for ovnen (se kapitlet „Regulering af brænderne“ på side 103).
Kun CU351MK: Grillen tænder ikke.	Der dannes ingen gnister.	<ul style="list-style-type: none"> ➤ Sluk for grillen i 1 minut. ➤ Tænd for grillen (se kapitlet „Brug af kogepladen“ på side 103).

Garanti

Den lovbestemte garantiperiode gælder. Hvis produktet er defekt, bedes du kontakte din forhandler eller producentens afdeling i dit land (se dometic.com/dealer).

Ved reparation eller krav om garanti skal du medsende følgende bilag:

- En kopi af regningen med købsdato
- En reklamationsgrund eller en fejlbeskrivelse.

Vær opmærksom på, at egne eller uprofessionelle reparationer kan have sikkerhedsmæssige konsekvenser og kan gøre garantien ugyldig.

Bortskaffelse



- Bortskaf så vidt muligt emballagemateriale sammen med det tilsvarende genbrugsaffald.
- Kontakt en lokal genbrugsstation eller din faghandel for at få de pågældende forskrifter om, hvordan du bortskaffer produktet i overensstemmelse med disse gældende forskrifter for bortskaffelse.

Tekniske data

	CU351MK	CU354MK
Samlet nominal effekt	6,4 kW, 466 g/h	5,1 kW, 371 g/h
Nominal effekt for ovn	1,1 kW, 89 g/h	
Nominal effekt for grill	1,3 kW, 95 g/h	–
Nominal effekt for kogeplade		
Venstre brænder	2,2 kW, 160 g/h	
Højre brænder	1,8 kW, 131 g/h	
Forbrændingsluftvolumen	12,8 m ³ /h	10,2 m ³ /h
Tilslutningstryk	fig. 6, side 8	
Mål (H x B x D)	508 x 450 x 358 mm	398 x 449 x 357 mm
Vægt	18,50 kg	15,50 kg
Mål for kogepladebrænder		
Venstre brænder	Ø 62 mm	
Højre brænder	Ø 70 mm	
Godkendelser		

Läs och följ noggrant alla instruktioner, direktiv och varningar i den här produkthandboken för att säkerställa att du alltid installerar, använder och underhåller produkten på rätt sätt. Dessa instruktioner MÅSTE förvaras tillsammans med produkten.

Genom att använda produkten bekräftar du härmed att du noggrant har läst alla instruktioner, direktiv och varningar och att du förstår och är införstådd med att följa de villkor som anges här. Du är införstådd med att endast använda denna produkt i avsett syfte och i enlighet med instruktionerna, direktiven och varningarna som anges i denna produktbok samt i enlighet med alla gällande lagar och bestämmelser. Om du inte läser och följer instruktionerna och varningarna som anges här kan det leda till personskador på dig eller andra, på produkten eller annan egendom i närheten. Denna produktbok, inklusive instruktionerna, direktiven och varningarna samt relaterad information, kan ändras och uppdateras. För uppdaterad produktinformation, besök documents.domestic.com.

Innehåll

Symbolförklaring	107
Säkerhetsanvisningar	107
Leveransomfattning	109
Målgrupper	110
Avsedd användning	110
Teknisk beskrivning	110
Installation	111
Användning	112
Spara energi	113
Rengöring och skötsel	113
Förvaring	114
Felsökning	114
Garanti	115
Avfallshantering	115
Tekniska data	115

Symbolförklaring



WARNING!

Säkerhetsanvisning: Anger en farlig situation som, om den inte kan undvikas, kan leda till döden eller allvarlig personskada.



AKTA!

Säkerhetsanvisning: Anger en farlig situation som, om den inte kan undvikas, leder till lindrig eller måttlig personskada.



OBSERVERA!

Anger en situation som, om den inte kan undvikas, kan leda till materiell skada.



ANVISNING

Kompletterande information om användning av produkten.

Säkerhetsanvisningar

Preliminära anteckningar

- Innan man installerar apparaten ska man kontrollera att de lokala fördelningsförhållandena (gasoltypen och gasoltrycket) samt apparatens inställningar är kompatibla.
- Den här apparatens inställningsvillkor finns angivna på etiketten (eller typskylten).
- Den här apparaten är inte ansluten till en tömningsapparat för förbränningsprodukter. Den ska installeras och anslutas enligt rådande installationsbestämmelser. Observera i synnerhet tillämpliga krav beträffande ventilationen.

Allmänna säkerhetsanvisningar



WARNING! Om man underlåter att följa de här varningarna kan följden bli dödsfall eller allvarlig personskada.

Explosionsrisk

- Denna apparat får endast repareras av härför utbildad personal. Icke fackmässiga reparationer kan medföra allvarliga risker.
- Apparaten måste monteras i enlighet med gällande nationella bestämmelser i landet där den används.
- Den här apparaten får endast användas i ett utrymme med god ventilation.
- Läs anvisningarna innan du installerar eller använder apparaten.
- Ändra inget på den här apparaten.
- Ta inte bort eller byt ut några av apparatens komponenter.
- Om det föreligger krav enligt nationella bestämmelser ska gasslangen bytas ut.
- Gasförsörjningsslangen får inte vridas, sträckas, klämmas ihop eller belastas på annat sätt.

Brandrisk

- Lämna inte apparaten utan uppsikt när den är het eller används.
- Barn måste hållas under uppsikt så att de inte leker med apparaten.
- Se till att ha en lämplig brandsläckare nära till hands.
Säkerställ att brandsläckaren kontrolleras av fackpersonal med jämna mellanrum.

Risk för brännskada

- Håll händer, ansikte och hår borta från brännare.
- Använd inte löst åtsittande plagg och låt inte långt hår hänga fritt när du tänder eller använder apparaten.
- Håll barn och husdjur på säkert avstånd från produkten.
- Håll noggrann uppsikt över all aktivitet kring apparaten för att undvika brännskador eller andra personskador.
- Flytta inte apparaten när den är i drift.

Hälsorisk

- Barn från åtta års ålder, personer med nedsatt fysisk, sensorisk eller mental förmåga, eller personer med bristande erfarenhet och kunskaper får använda den här apparaten förutsatt att de hålls under uppsikt eller om de har fått anvisningar om hur man använder den här apparaten på ett säkert sätt och känner till vilka risker som är förknippade med användningen.
- Barn måste hållas under uppsikt så att de inte leker med apparaten.



AKTA! Om man underlåter att följa de här försiktighetsåtgärderna kan följden bli lindrig eller måttlig personskada.

Risk för personskada

- Om apparaten har ett glaslock och vid händelse att glaslocket går sönder:
 - Stäng omedelbart av alla brännare och eventuella elektriska värmeelement samt isolera apparaten från elförsörjningen.
 - Vidrör inte apparatens yta.
 - Använd inte apparaten.



OBSERVERA! Risk för skada

- Om apparaten har ett glaslock:
 - Stäng glaslocket innan du börjar köra.
 - Stäng av alla brännare innan du stänger glaslocket.

Säkerhetsåtgärder vid hantering av flytande gas



WARNING! Om man underlåter att följa de här varningarna kan följden bli dödsfall eller allvarlig personskada.

Explosionsrisk

- Ta alltid bort flaskan med flytande gas efter användning.
- Förvara flaskorna med flytande gas på avstånd från värme- eller köksmaskiner och andra ljus- eller värmekällor i ett väl ventilerat utrymme utom räckhåll för barn.
- Lagra **aldrig** flaskor med flytande gas i ej ventilerade utrymmen eller under markytan (trattformiga jordhål).
- Förvara **aldrig** flaskor med flytande gas i byggnader som garage eller liknande.
- Vid inomhusförvaring ska flaskorna förvaras enligt nationella bestämmelser.
- Förvara inte gasflaskorna liggande.
- Se till att gasflaskorna skyddas mot direkt solljus. Temperaturen får inte överskrida 50 °C.

Säkerhet vid användning av apparaten



FARA! Om inte dessa anvisningar följs leder det till dödsfall eller allvarliga personskador.

Fara för kolmonoxidförgiftning

- Vid förbränning av flytande gas bildas kolmonoxid som samlas i slutna utrymmen. Den här apparaten får endast användas med tillräcklig ventilation.

Kvävningsrisk

- Om apparaten ska användas i ej ventilerade utrymmen leder det till syrebrist i dessa utrymmen.
- Använd inte apparaten som rumsuppvärmare.
- Användning av en gasspis leder till att värme, fukt och förbränningsprodukter alstras i det rum där den är installerad.
 - Se till att köket har god ventilation, i synnerhet när apparaten används.
 - Håll ventilationshålen för naturlig ventilation öppna eller installera en ventilationsenhet (t.ex. en mekanisk spisfläkt).

- Längre tids intensiv användning av apparaten kan kräva ytterligare ventilation (t.ex. genom att öppna ett fönster) eller mer effektiv ventilation (t.ex. genom att öka den mekaniska ventilations hastighet om sådan finns).



WARNING! Om man underlåter att följa de här varningarna kan följden bli dödsfall eller allvarlig personskada.

Explosionsrisk

- Använd inte apparaten om den läcker, är skadad eller inte fungerar på rätt sätt.
- Använd aldrig apparaten i följande situationer:
 - på bensinstationer
 - på färjor
 - när husvagnen eller husbilen transporteras med ett transport- eller bärgningsfordon
- Stäng av gastillförseln om brand uppstår.
- Ställ inga kemikalier, brännbara material eller aerosolsprayer nära apparaten.
- Använd aldrig öppen låga för att leta efter gasläckage.
- Om det luktar gas:
 - Försök inte tända denna apparaten.
 - Släck all öppen eld.
 - Stäng av gasförsörjningen.
 - Koppla bort apparaten från gasförsörjningen.
 - Öppna fönstren och evakuera fordonet när apparaten används inomhus.
 - Låt en specialist undersöka gasanläggningen.
- Gasbehållare får endast monteras eller demonteras utomhus, på behörigt avstånd från öppen eld, låga eller annan antändningskälla och endast om apparaten är sval nog att vidröra.
- Innan gasbehållaren används är det viktigt att kontrollera att tätningen mellan apparaten och gasbehållaren sitter på plats och är i gott skick.
- Använd inte apparaten om tätningen är skadad eller sliten.
- Stäng av gasförsörjningen på gasbehållaren efter användning.

Brandrisk

- Håll brännbara material borta från apparaten när den används.
- Placera inga andra föremål än kokkärl på eller mot denna apparat.
- Ställ inte upp denna apparat i närheten av antändligt material (papper, torra löv, textilier).
- Håll brännbara föremål borta från brännaren.

- Placera kokkärlens handtag enligt följande:
 - Kokkärlens handtag får aldrig skjuta ut utanför apparatens kant.
 - Vrid kokkärlen handtag inåt, men inte så att de sitter över någon annan brännare.
- Undvik att hetta upp fett eller olja för mycket.
- Använd endast torra grytappar för att hantera heta kokkärl.
- Stäng av apparaten innan du tar bort kokkärlen.
- Använd endast apparaten när en vuxen kan hålla uppsikt över den.

Risk för brännskada

- Åtkomliga delar kan vara mycket heta. Håll små barn på avstånd.



AKTA! Om man underlåter att följa de här försiktighetsåtgärderna kan följden bli lindrig eller måttlig personskada.

Risk för brännskada

- Använd skyddshandskar vid hantering av heta delar.
- Låt apparaten svalna innan du rör vid den med bara händerna.
- När en brännare tänds manuellt:
 - Använd långa tändstickor eller en lämplig tändare.
 - Dra genast undan händerna när brännaren har tänts.
- Intag av alkohol eller receptbelagda och receptfria mediciner kan försämra din förmåga att rätt montera och säkert använda apparaten.



OBSERVERA! Risk för skada

- Använd inte någon extern timer eller något fjärrkontrollsystem.

Leveransomfattning

Nr på bild 1, sida 3	Komponent	Mängd
1	Kokkärlsstöd	1
2	Bakplåt	1
3	Ugns-galler	1
4	Spishäll och gasugn	1
5	Monteringsvinkel	2

Målgrupper



Monteringen och installationen av gasanslutningen måste utföras av en behörig person som har belagda färdigheter och kunskaper om konstruktion, installation och drift av gasanordningar samt har genomgått säkerhetsutbildning så att hen kan identifiera och undvika förknippade risker.

Avsedd användning

Spishällen och gasugnen är avsedd för matlagning och bakning.

Endast CU351MK: Spishällen och gasugnen är dessutom avsedd för grillning.

Spishällen och gasugnen är endast avsedd för marint bruk. Vid användning i slutna utrymmen måste kraven i bild **5**, sida 7 uppfyllas. Där det finns 3 väggar måste 30 % av den totala väggytan vara öppen och kunna nås obehindrat.

Spishällen och gasugnen är **inte** avsedd att användas på öppet däck, i fordon eller i byggnader.

Denna produkt lämpar sig endast för avsedd användning i enlighet med denna bruksanvisning.

Denna bruksanvisning informerar om vad som krävs för att installera och/eller använda produkten på rätt sätt. Felaktig installation och/eller användning eller felaktigt underhåll kommer leda till att produkten inte fungerar optimalt och riskerar gå sönder.

Tillverkaren tar inget ansvar för personskador eller materiella skador på produkten som uppstår till följd av:

- Felaktig montering eller anslutning, inklusive för hög spänning
- Felaktigt underhåll eller användning av reservdelar som inte är originaldelar från tillverkaren
- Ändringar som utförts utan uttryckligt medgivande från tillverkaren
- Användning för andra ändamål än de som beskrivs i denna bruksanvisning.

Kampa förbehåller sig rätten att ändra produktens utseende och specifikationer.

Teknisk beskrivning

Spishällen och gasugnen klarar matlagning och bakning.

Endast CU351MK: Spishällen och gasugnen klarar dessutom grillning.

Spishällen och gasugnen sitter fast med monteringshållare och ett stift som ser till att apparaten sitter på plats även vid sjögång. Apparaten har ett kokkärlsstöd som ser till att kokkärlet står stadigt på spishällen och inte glider iväg vid sjögång.

Spishällen och gasugnen måste vara ansluten till en gasflaska.

CU354MK

Nr på bild 2 , sida 4	Komponent
1	Kokkärlsstöd
2	Ugntemperaturvred
3	Ugns-galler
4	Bakplåt
5	Ugnslucka
6	Temperaturvred för höger spishällbrännare
7	Temperaturvred för vänster spishällbrännare

CU351MK

Nr på bild 3 , sida 5	Komponent
1	Kokkärlsstöd
2	Ugntemperaturvred
3	Grilltemperaturvred
4	Grill
5	Bakplåt
6	Ugns-galler
7	Ugnslucka

Nr på bild 3, sida 5 **Komponent**

8	Temperaturvred för höger spishällbrännare
9	Temperaturvred för vänster spishällbrännare

Temperaturvred

Ugnstemperaturen och brännarnas lågstorlek kan ställas in (bild 4, sida 6).

Ugnstemperaturområden

Position	1	2	3
Temperatur	130 °C	160 °C	180 °C

Position	4	5	6
Temperatur	200 °C	220 °C	240 °C

Installation



WARNING! Explosionsrisk

- Säkerställ innan spishällen och gasugnen installeras att gaskvalitet, gastryck och gasreglage är kompatibla med spishällen och gasugnen. Observera gasreglagebestämmelserna för spishällen och gasugnen som står på typskylten samt specifikationerna i kapitel "Tekniska data" på sidan 115.
- Spishällen och gasugnen är inte ansluten till ett dragskåp. Installera spishällen och gasugnen enligt gällande installationsregler.

Bestämna installationsplats

Beakta följande anvisningar vid val av uppställningsplats för spishällen och gasugnen:

- Placera spishällen och gasugnen utomhus eller i ett slutet utrymme som uppfyller kraven i bild 5, sida 7.
- Platsen måste ha god ventilation.

- Placera inte spishällen och gasugnen i en fördjupning, annars kan gaser ansamlas i en sådan.
- Håll spishällen och gasugnen skyddad mot vind och direkt drag.
- Marken måste vara fast, jämn och stabil.
- Höljet och grillutrymmet blir mycket varma under användning. Spishällen och gasugnen måste stå på ett fundament som tål minst 80 °C.

Ansluta till gasflaskan

Spishällen och gasugnen drivs med vanliga kommersiella gasflaskor som finns i landet där produkten används (bild 6, sida 8).

Gasflaskan måste uppfylla följande krav:

- Gasflaskan ska alltid placeras i avsett fack.
- Gasflaskan ska alltid placeras vertikalt.
- Gasflaskan ska ha en tryckregulator som är lätt åtkomlig och inte övertäckt.

Gasförsörjningen som är ansluten till apparaten måste vara ett styvt metallrör med tätade anslutningar. Om en flexibel slang används måste den uppfylla följande krav:

- Slangen måste vara lätt åtkomlig för inspektion.
 - Slangen måste vara skyddad mot kontakt med andra delar som blir heta.
 - Slangen måste skyddas mot skador.
 - Slangen måste skyddas så att den inte kläms av rörliga delar som lådor.
 - Slangen får inte vara längre än 1,5 m.
 - Slangen måste bytas ut före utgångsdatumet.
1. Anslut gasflaskans rör eller slang till spishällen och gasugnen (bild 7 till bild 8, sida 9). Slangen måste dras åt med ett passande spännverktyg som exempelvis en skiftnyckel för att få en tätning som är gastät.
 2. Kontrollera om gasslangen eller röret har något läckage med ett skummande medel som t.ex. tvål.



WARNING! Explosionsrisk

Använd inte öppen låga eller frätande vätska för att kontrollera om gasförsörjningen har läckage.

Montera spishällen och gasugnen

1. Säkerställ att det finns tillräckligt avstånd till väggen och andra skåp (se bild **9**, sida 10).
2. Montera spishällen och gasugnen som det visas i bild **10** till bild **11**, sida 11.

Användning



WARNING! Explosionsrisk

- Tänd brännarna direkt när gasförsörjningen slagits på. Annars kan det samlas gas i/omkring brännaren, vilket innebär explosionsrisk.
- Det måste vara möjligt att se hela antändningsprocessen ovanifrån och sikten får inte skymmas av kokkärl på spishällen.



OBSERVERA! Risk för skada

Endast CU351MK: Använd inte grillen i mer än 25 minuter.



ANVISNING

- När spishällen och gasugnen används kan ett svagt ljud höras som beror på gasen som kommer ut.
- Rök kan bildas när spishällen och gasugnen används för första gången. Detta beror på att rester av maskinfett förbränns och upphör efter ca 10 minuter.
- **Endast CU351MK:** Använd inte grillen som ugn.
- När propan (G31) används är lågan blå utan gula toppar.
- När butan (G30) används är lågan blå med gula toppar när den tänds. De gula topparna intensifieras när brännaren blir varmare.

Tända brännarna

- ▶ Tänd spisen som det visas i bild **12 (1)** sida 12 och bild **13**, sida 13.
- ▶ **Endast CU351MK:** Tänd grillen som det visas i bild **12 (2)** sida 12 och bild **14**, sida 14.
- ▶ Tänd ugnen som det visas i bild **12 (3)** sida 12 och bild **15**, sida 15.

Reglera brännarna



OBSERVERA! Risk för skada

Se till att bakplåten, ugnsgallret och kokkärlen inte kommer i kontakt med lågorna inuti ugnen.



ANVISNING

- När ugnen har tänts för första gången ska den stå på högsta temperatur i minst 30 minuter innan den regleras.
- När spisen har tänts för första gången ska spishällens låga stå på största lågstorlek i 15 – 20 minuter innan den regleras.

- ▶ Ställ in temperaturreglaget på önskad temperatur eller lågstorlek (se kapitel "Temperaturvred" på sidan 111 och kapitel "Ugnstemperaturområden" på sidan 111).
- ✓ När ugnens brännare tänds kommer lågan fortsätta vara på högsta lågan. När ugnen når inställd temperatur återgår lågan automatiskt till en mindre låga.

Använda spishällen



WARNING! Brandrisk

Lågan får inte skjuta ut längre än till kanten av kokkärlet. Centra kokkärlet över brännaren och använd kokkärlsstödet så att det står stadigt.

- ▶ Använd ett lämpligt kokkärl. Observera diametrarna för spisens brännare och kokkärlet:

Spisbrännardiameter	Kokkärlsdiameter
Ø 62 mm	16 – 22 cm
Ø 77 mm	16 – 22 cm

- ▶ Säkra kokkärlet i kokkärlsstödet med vreden på kokkärlsstödet (se bild **16**, sida 16).

Använda grillen (endast CU351MK)



AKTA! Risk för brännskada

- Dra ut värmeskyddet för att skydda vreden så att de inte hettas upp av grillen.
- Värmeskyddet är mycket varmt medan grillen används och efteråt. Använd skyddshandskar när du rör vid värmeskyddet.

- ▶ Använd värmeskyddet som det visas i bild **17**, sida 16.

Stänga av spishällen och gasugnen

- ▶ Stäng av spishällen och gasugnen som det visas i bild **18**, sida 17.

Spara energi

- ▶ Stäng av spishällen och gasugnen efter användning (se kapitel "Stänga av spishällen och gasugnen" på sidan 113).
- ▶ Stäng ugnsluckan när ugnen används.

Rengöring och skötsel



WARNING! Explosionsrisk

Använd inte öppen låga eller frätande vätska för att kontrollera om gasförsörjningen har läckage.



AKTA! Risk för brännskada

Spishällen och gasugnen är mycket varma medan de används och efteråt. Stäng av spishällen och gasugnen. Låt spishällen och gasugnen svalna innan den rengörs, förpackas eller transporteras.



OBSERVERA! Risk för skada

- Använd inga slipande, frätande, klorhaltiga eller grova rengöringsmedel eller borstar när du rengör spishällen och gasugnen.
- Använd inte ångtvätt.
- Använd inte tryckluft för att rengöra gaskretsen.
- Avlägsna vinäger, salt, citronsyra eller andra sura eller basiska ämnen från spishällen och gasugnen.

- ▶ Rengör spishällen och gasugnen med en fuktig trasa och neutrala rengöringsmedel (bild **19**, sida 17).
- ▶ Rengör ugnsprövarnaren med vatten som det visas i bild **20**, sida 18.
- ▶ Kontakta ett auktoriserat servicecenter om gasinjektorerna ska rengöras eller bytas ut.

Underhåll av brännarna



WARNING! Brandrisk

Spindlar kan spinna nät och insekter bygga bon inuti brännarna. Dessa nät och bon kan hindra gasflödet och orsaka en brand. Ta bort alla insekter, spindlar, bon och nät som finns inuti brännaren.

1. Kontrollera brännarna två gånger om månaden avseende nät och bon.
2. Ta vid behov bort insekter, spindlar, bon och nät som finns inuti brännaren.

Byta ut gasflaskan



WARNING! Hälsorisk

- Byt gasflaskan på en plats med god ventilation.
- Se till att det inte finns någon öppen låga eller eld i närheten.
- Byt bara gasflaskan när spishällen och gasugnen är avstängd.

1. Stäng gasventilen på gasflaskan.
2. Skruva bort regulatorn från gasflaskan.
3. Om en gasslang används måste den kontrolleras så att den inte är defekt.
4. Byt vid behov slangen (se kapitel "Byta ut slangen" på sidan 113).
5. Skruva in regulatorn för hand i den nya gasflaskan.

Byta ut slangen



VARNING! Hälsorisk

- Byt slangen på en plats med god ventilation.
- Se till att det inte finns någon öppen låga eller eld i närheten.
- Byt bara slangen när spishällen och gasugnen är avstängd.

1. Stäng gasventilen på gasflaskan.
2. Skruva bort regulatortorn från gasflaskan.
3. Byt ut gasslangen.
4. Skruva in regulatortorn för hand i gasflaskan.
5. Kontrollera om gasslangen har något läckage med ett skummande medel som t.ex. tvål.

Förvaring



VARNING! Risk för brännskada

Spishällen och gasugnen är mycket varma medan de används och efteråt. Stäng av spishällen och gasugnen. Låt spishällen och gasugnen svalna innan den förpackas eller transporteras.

1. Stäng gasventilen på gasflaskan.
2. Rengör spishällen och gasugnen (se kapitel "Rengöring och skötsel" på sidan 113).

Felsökning

Fel	Möjlig orsak	Åtgärd
Apparaten tänds inte.	Fel gas används.	<ul style="list-style-type: none"> ➤ Se till att använda tillräcklig mängd gas. Observera gasreglagebestämmelserna för spishällen och gasugnen som står på typskylten samt specifikationerna i kapitel "Tekniska data" på sidan 115. ➤ Byt vid behov gasflaskan (se kapitel "Byta ut gasflaskan" på sidan 113).
	Gascylindern är tom.	<ul style="list-style-type: none"> ➤ Byt gasflaskan (se kapitel "Byta ut gasflaskan" på sidan 113).
	Slangen är defekt.	<ul style="list-style-type: none"> ➤ Byt slangen (se kapitel "Byta ut slangen" på sidan 113).
	Det finns ett funktionsfel eller felaktiga anslutningar.	<ul style="list-style-type: none"> ➤ Koppla om röret eller slangen (kapitel "Ansluta till gasflaskan" på sidan 111). ➤ Stäng vid behov av gasförsörjningen och kontakta en behörig servicerepresentant.
	Termoelementet är defekt.	<ul style="list-style-type: none"> ➤ Stäng av gasförsörjningen och kontakta en behörig servicerepresentant.
	Spishällen och gasugnen är defekt.	
Spisbrännarna tänds inte.	Inga gnistor bildas.	<ul style="list-style-type: none"> ➤ Ställ in spisbrännarens vred på lägsta steget och slå på spisbrännaren (se kapitel "Tända brännarna" på sidan 112).

Fel	Möjlig orsak	Åtgärd
Ugnen tänds inte.	Inga gnistor bildas.	<ul style="list-style-type: none"> ➤ Stäng av ugnen i 1 minut. ➤ Slå på ugnen (se kapitel "Reglera brännarna" på sidan 112).
Endast CU351MK: Grillen tänds inte.	Inga gnistor bildas.	<ul style="list-style-type: none"> ➤ Stäng av grillen i 1 minut. ➤ Slå på grillen (se kapitel "Använda spishällen" på sidan 112).

Garanti

Den lagstadgade garantitiden gäller. Kontakta din återförsäljare eller tillverkarens avdelningskontor i ditt land (se dometic.com/dealer) om produkten är defekt.

Vid reparations- och garantiärenden ska följande dokument skickas med när du returnerar produkten:

- En kopia på fakturan med inköpsdatum
- En reklamerationsbeskrivning eller felbeskrivning


Observera att självständiga eller icke professionella reparationer kan påverka säkerheten och leda till att garantin blir ogiltig.

Avfallshantering



- Lämna om möjligt förpackningsmaterialet till återvinning.
- Konsultera ett lokalt återvinningscenter eller en specialiserad återförsäljare för information om hur man bortkaffar produkten i enlighet med tillämpliga bortskaffningsförfordningar.

Tekniska data

	CU351MK	CU354MK
Total märkeffekt	6,4 kW, 466 g/h	5,1 kW, 371 g/h
Ugnens märkeffekt	1,1 kW, 89 g/h	
Grillens märkeffekt	1,3 kW, 95 g/h	–
Spishällens märkeffekt		
Vänster brännare	2,2 kW, 160 g/h	
Höger brännare	1,8 kW, 131 g/h	
Förbränningsluftvolym	12,8 m ³ /h	10,2 m ³ /h
Anslutningstryck	bild 6, sida 8	
Mått (H x B x D)	508 x 450 x 358 mm	398 x 449 x 357 mm
Vikt	18,50 kg	15,50 kg
Spisbrännarmått		
Vänster brännare	Ø 62 mm	
Höger brännare	Ø 70 mm	
Godkännanden		

Vennligst les disse instruksjonene nøye og følg alle anvisninger, retningslinjer og advarsler i denne produktveiledningen for å sikre at du installerer, bruker og vedlikeholder produktet ordentlig til enhver tid. Disse instruksjonene MÅ alltid følge med produktet.

Ved å bruke dette produktet bekrefter du at du har lest alle anvisninger, retningslinjer og advarsler grundig, og at du forstår og samtykker i å overholde vilkårene slik de er presentert her. Du godtar å bruke dette produktet kun til tiltenkt formål og bruksområder, og i samsvar med anvisningene, retningslinjene og advarslene slik de er presentert i denne produktveiledningen, så vel som i samsvar med alle gjeldende lovbestemmelser og forskrifter. Hvis anvisningene og advarslene som er presentert her, ikke blir lest og fulgt, kan det føre til personskader hos deg selv eller andre, skader på produktet eller skader på annen eiendom i nærheten. Denne produktveiledningen med sine anvisninger, retningslinjer og advarsler, samt relatert dokumentasjon, kan være underlagt endringer og oppdateringer. For oppdatert produktinformasjon, se documents.domestic.com.

Innhold

Symbolforklaring	116
Sikkerhetsinstruksjoner	116
Leveringsomfang	119
Målgrupper	119
Forskriftsmessig bruk	119
Teknisk beskrivelse	119
Installasjon	120
Betjening	121
Spare strøm	122
Rengjøring og vedlikehold	122
Oppbevaring	123
Feilretting	124
Garanti	124
Avfallshåndtering	125
Tekniske spesifikasjoner	125

Symbolforklaring



ADVARSEL!

Sikkerhetsregel: Kjennetegner en farlig situasjon som - dersom den ikke unngås - kan resultere i alvorlige personskader, eventuelt med døden til følge.



FORSIKTIG!

Sikkerhetsregel: Kjennetegner en farlig situasjon som - dersom den ikke unngås - kan resultere i mindre til moderate personskader.



PASS PÅ!

Kjennetegner en situasjon som - dersom den ikke unngås - kan resultere i materielle skader.



MERK

Ytterligere informasjon om betjening av produktet.

Sikkerhetsinstruksjoner

Foreløpige notater

- Før installasjon må du forsikre deg om at de lokale fordelingsbetingelsene (typen gass og gasstrykk) og justeringen av apparatet er kompatible.
- Justeringsbetingelsene for dette apparatet er oppført på merket (eller typeskiltet).
- Apparatet er ikke tilkoblet til en enhet for tømning av forbrenningsprodukter. Det skal installeres og tilkobles i henhold til gjeldende installasjonsbestemmelser. Det må tas spesielt hensyn til de relevante kravene angående ventilasjon.

Grunnleggende sikkerhet



ADVARSEL! Manglende overholdelse av disse advarslene kan resultere i alvorlige personskader, eventuelt med døden til følge.

Ekspløsjonsfare

- Reparasjoner på dette apparatet må kun utføres av kvalifiserte fagfolk. Usakkyndige reparasjoner kan føre til alvorlige farer.
- Dette apparatet må installeres i samsvar med nasjonale forskrifter som gjelder i brukslandet.
- Dette apparatet må kun brukes i et godt ventilert rom.
- Les anvisningene før apparatet installeres eller tas i bruk.
- Ikke modifier apparatet.
- Ikke fjern eller erstatt komponenter på dette apparatet.

- Gasslangen må byttes hvis nasjonale forskrifter tilsier det.
- Ikke vri, strekk, klem eller legg trykk eller belastning på gasslangen.

Brannfare

- Ikke la dette apparatet være uten tilsyn når det er varmt eller i bruk.
- Barn skal være under tilsyn for å sikre at de ikke leker med apparatet.
- Ha et egnet brannslukningsapparat klart. Sørg for at brannslukningsapparatet kontrolleres regelmessig av en fagperson.

Forbrenningsfare

- Hold hender, ansikt og hår vekk fra brennere.
- Ikke bruk løstsittende klær eller la langt hår henge løst mens du tenner på eller bruker apparatet.
- Hold barn og kjæledyr unna.
- Overvåk nøye all aktivitet rundt apparatet for å unngå forbrenninger eller andre personskader.
- Ikke flytt apparatet under bruk.

Helsefare

- Dette apparatet kan brukes av barn fra 8 år og oppover og personer med reduserte fysiske, sensoriske eller mentale evner eller som mangler erfaring og kunnskap, hvis de er under oppsyn eller har fått veiledning i hvordan apparatet brukes på en forsvarlig måte og forstår hvilke farer det innebærer.
- Barn skal være under tilsyn for å sikre at de ikke leker med apparatet.



FORSIKTIG! Manglende overholdelse av disse forsiktighetsvarslene kan resultere i mindre til moderate personskader.

Fare for personskader

- Hvis apparatet har et glasslokk, ved brudd på glasslokket:
 - Slå av alle brennere og elektriske varmeelementer umiddelbart, og isoler enheten fra strømforsyningen.
 - Ikke berør apparatets overflate.
 - Ikke bruk apparatet.



PASS PÅ! Fare for skader

- Hvis apparatet har et glasslokk:
 - Lukk glasslokket før du begynner på reisen.
 - Slukk alle brennerne før du lukker glasslokkene.

Sikkerhetsforanstaltninger ved håndtering av flytende gass



ADVARSEL! Manglende overholdelse av disse advarslene kan resultere i alvorlige personskader, eventuelt med døden til følge.

Eksplisjonsfare

- Frakoble alltid flasken med flytende gass etter bruk.
- Oppbevar flasker med flytende gass borte fra varme- eller kokeapparater og andre lys- eller varmekilder i et godt ventilert område utilgjengelig for barn.
- Oppbevar **aldri** flasker med flytende gass på steder uten lufting eller under bakkenivå (traktformede grøfter).
- Oppbevar **aldri** flasker med flytende gass i garasjer og lignende bygninger.
- Enhver innendørs oppbevaring må oppfylle nasjonale forskrifter.
- Ikke oppbevar flasker med flytende gass liggende på siden.
- Utsett ikke flasker med flytende gass for direkte sollys. Temperaturen bør ikke overskride 50 °C.

Sikkerhet ved bruk av apparatet



FARE! Hvis disse anvisningene ikke overholdes, kan det oppstå alvorlige personskader, eventuelt med døden til følge.

Fare for karbonmonoksidforgiftning

- Brenning av flytende gass produserer karbonmonoksid som samler seg opp inne i lukkede områder. Dette apparatet må kun brukes med tilstrekkelig ventilasjon.

Kvelningsfare

- Bruk av dette apparatet på et uventilert sted fører til surstoffmangel i området.
- Ikke bruk apparatet til å varme opp rom.

- Bruken av et gasskokeapparat resulterer i produksjon av varme, fuktighet og forbrenningsprodukter i rommet der det er installert.
 - Sørg for at kjøkkenet er godt ventilert, spesielt når apparatet er i bruk.
 - Hold naturlige ventilasjonshull åpne eller installer en mekanisk ventilasjonsanordning (f. eks. en mekanisk avtrekkslette).
- Langvarig intensiv bruk av apparatet kan kreve ekstra ventilasjon, for eksempel å åpne et vindu, eller mer effektiv ventilasjon, for eksempel å øke nivået av mekanisk ventilasjon der det er til stede.



ADVARSEL! Manglende overholdelse av disse advarslene kan resultere i alvorlige personskader, eventuelt med døden til følge.

Ekspløsjonsfare

- Ikke bruk apparatet dersom det lekker, er skadd eller ikke fungerer ordentlig.
- Bruk aldri apparatet i følgende situasjoner:
 - ved bensinstasjoner
 - På ferger
 - Under transport av campingbilen eller bobilen på et transport- eller borttauingskjøretøy
- Ved brann må gassforsyningen stenges.
- Ikke plasser kjemikalier, antenkelige materialer eller spraybokser i nærheten av apparatet.
- Bruk aldri åpen ild for å sjekke om det foreligger en gasslekkasje.
- Ved eventuell gasslukt:
 - Ikke forsøk å tenne apparatet.
 - Slukk alle åpne flammer.
 - Steng gasstilførselen.
 - Koble apparatet fra gasstilførselen.
 - Når du bruker apparatet innendørs, må du åpne vinduer og evakuere kjøretøyet.
 - Få gassanlegget sjekket av en fagperson.
- Gassflasken må kun festes eller løsnes utendørs og borte fra åpen ild, pilotflammer eller andre antennesskilder, og kun når apparatet er så nedkjølt at det kan berøres.
- Før du bruker gassflasken, sjekk at forseglingen mellom dette apparatet og gassflasken er på plass og i god stand.
- Ikke bruk apparatet hvis tetningen er skadet eller slitt.
- Skru av gassforsyningen på gassflasken etter bruk.

Brannfare

- Dette apparatet må holdes borte fra antenkelige materialer under bruk.
- Ikke plasser andre gjenstander enn kokekar på eller inn mot apparatet.
- Sett ikke apparatet i nærheten av lettantenkelige materialer (papir, tørt løv, tekstiler).
- Hold brennbare gjenstander borte fra brenneren.
- Plasser kokekarhåndtakene på følgende måte:
 - Håndtakene på kokekarene må aldri stikke utenfor kanten på apparatet.
 - Drei håndtakene til kokekarene innover, men på en slik måte at de ikke befinner seg over andre brennere.
- Ikke varm opp fett eller olje for mye.
- Bruk kun tørre grytekluter til å håndtere varme kokekar.
- Slå av apparatet før du fjerner kokekaret.
- Bruk kun apparatet dersom en voksen kan passe på det.

Forbrenningsfare

- Tilgjengelige deler kan være svært varme. Hold små barn unna.



FORSIKTIG! Manglende overholdelse av disse forsiktighetsvarslene kan resultere i mindre til moderate personskader.

Forbrenningsfare

- Bruk vernehansker ved håndtering av varme komponenter.
- La apparatet kjøle ned før du berører det med bare hendene.
- Når en brenner er tent, gjør følgende manuelt:
 - Bruk lange fyrstikker eller en tilsvarende tenner.
 - Trekk hendene hurtig tilbake så snart brenneren tennes.
- Bruk av alkohol eller av reseptpliktige eller ikke reseptpliktige medikamenter kan påvirke din evne til å sette sammen eller betjene dette apparatet på en trygg måte.



PASS PÅ! Fare for skader

- Ikke bruk et eksternt timer- eller fjernkontrollsystem.

Leveringsomfang

Nr. i fig. 1, side 3	Komponent	Antall
1	Støtte for gryter og panner	1
2	Bakeplate	1
3	Ovnsrist	1
4	Koketopp og gassovn	1
5	Monteringsbrakett	2

Målgrupper



Montering og installasjon av gassforbindelser må foretas av en kvalifisert person som kan fremvise ferdigheter og kunnskaper knyttet til konstruksjon, installasjon og drift av gassdrevet utstyr, og har mottatt sikkerhetstrening for å kunne identifisere og unngå risikoer som er involvert.

Forskriftsmessig bruk

Koketoppen og gassovnen skal brukes til koking, steking og baking av mat.

Kun CU351MK: Koketoppen og gassovnen kan også brukes til grilling av mat.

Koketoppen og gassovnen skal bare brukes på båt og skip. Kravene i fig. 5, side 7 må være oppfylt for bruk i lukkede rom. I tilfeller med tre vegger skal 30 % av det totale veggområdet være åpent og tilgjengelig uten hindringer.

Koketoppen og gassovnen **ikke** brukes på dekk, i kjøretøy eller i bygninger.

Dette produktet er kun egnet for det tiltenkte formålet og anvendelsen i samsvar med disse instruksjonene.

Denne håndboken gir informasjon som er nødvendig for en ordentlig installasjon og/eller drift av produktet. Dårlig montering og/eller upassende drift eller vedlikehold vil resultere i en utilfredsstillende ytelse og en mulig svikt.

Produsenten påtar seg intet ansvar for personskader eller materielle skader på produktet som følger av:

- Ikke korrekt montering eller tilkobling, inkludert for høy spenning
- Ikke korrekt vedlikehold eller bruk av reservedeler foruten de originale reservedelene som leveres av produsenten
- Endringer på produktet uten at det er gitt uttrykkelig godkjenning av produsenten
- Bruk til andre formål enn det som er beskrevet i denne bruksanvisningen

Kampa forbeholder seg rettigheten til å endre produktet ytre og produktspesifikasjoner.

Teknisk beskrivelse

Koketoppen og gassovnen kan brukes til koking, steking og baking av mat.

Kun CU351MK: Koketoppen og gassovnen kan også brukes til grilling av mat.

Koketoppen og gassovnen er festet med braketter og en pinne som sørger for at apparatet ikke flytter på seg skulle bølgene slå. Apparatet kommer med støtte for gryter og panner som sørger for at de står stødig på koketoppen og ikke sklir av når bølgene slår.

Koketoppen må være tilkoblet en gassflaske.

CU354MK

Nr. i fig. 2, side 4	Komponent
1	Støtte for gryter og panner
2	Temperaturregulator for ovn
3	Ovnsrist
4	Bakeplate
5	Ovnsdør

Installasjon



ADVARSEL! Eksplosjonsfare

- Før du installerer koketoppen og gassovnen må du forsikre deg om at gasskvaliteten og trykkregulatorene er kompatible med koketoppen og gassovnen. Undersøk spesifikasjonene for gassregulering for koketoppen og gassovnen på typeskiltet og spesifikasjonene i kapittel «Tekniske spesifikasjoner» på side 125.
- Koketoppen og gassovnen er ikke tilkoblet en avtrekkshette. Installer koketoppen og gassovnen i samsvar med de gjeldende forskriftene for montering.

Nr. i fig. 2 , side 4	Komponent
6	Temperaturregulator for høyre brenner på koketopp
7	Temperaturregulator for venstre brenner på koketopp

CU351MK

Nr. i fig. 3 , side 5	Komponent
1	Støtte for gryter og panner
2	Temperaturregulator for ovn
3	Temperaturregulator for grill
4	Grill
5	Bakeplate
6	Ovnsrist
7	Ovnsdør
8	Temperaturregulator for høyre brenner på koketopp
9	Temperaturregulator for venstre brenner på koketopp

Temperaturregulatorer

Ovnstemperaturen og flammestørrelsen til brennerne kan reguleres (fig. **4**, side 6).

Temperaturområder for ovn

Posisjon	1	2	3
Temperatur	130 °C	160 °C	180 °C

Posisjon	4	5	6
Temperatur	200 °C	220 °C	240 °C

Valg av monteringssted

Følg disse anvisningene når du velger et sted å sette opp koketoppen og gassovnen:

- Plasser koketoppen og gassovnen utendørs eller på i et lukket rom som oppfyller kravene som vist i fig. **5**, side 7.
- Stedet må ha god ventilasjon.
- Ikke plasser koketoppen og gassovnen i en fordypning, da det kan samle seg gasser der.
- Vern koketoppen og gassovnen mot vind og direkte trekkluft.
- Underlaget må være fast, jevnt og stabilt.
- Kapslingen og grillkabinettet blir svært varm under bruk. Koketoppen og gassovnen må stå på en base som tåler minst 80 °C.

Tilkobling av gassflasken

Koketoppen og gassovnen brukes kommersielle gassflasker tilgjengelig i landet der de brukes (fig. **6**, side 8).

Gassflasken må oppfylle følgende krav:

- Gassflasken skal alltid stå i beholderen beregnet for den.
- Gassflasken skal alltid stå vertikalt.
- Gassflasken skal ha en trykkregulator som er lett tilgjengelig og ikke tildekt.

Gassen tilkoblet apparatet må bestå av et fast metallrør med forseglede tilkoblinger. Hvis man bruker en fleksibel slange, må følgende krav oppfylles:

- Slangen skal være lett tilgjengelig for inspeksjon.
- Slangen skal beskyttes mot kontakt med andre deler som blir varme.
- Slangen skal beskyttes mot skade.
- Slangen skal beskyttes mot å havne i klem av bevegelige deler, som skuffer.
- Slangen skal ikke være lenger enn 1,5 m.
- Slangen skal skiftes ut før utløpsdatoen dens.

1. Koble røret eller slangen fra gassflasken til koketoppen og gassovnen (fig. **7** til fig. **8**, side 9).

Slangen skal strammes med passende nøkkelverktøy, som en justerbar skiftenøkkel, for at gasstilkoblingen blir forseglet.

2. Kontroller gassslangen eller -røret for lekkasje ved bruk av et skummende middel, f.eks. såpe.



ADVARSEL! Eksplosjonsfare

Ikke bruk flamme eller etsende væske for å se etter lekkasje i gasstilkoblingen.

Montering av koketopp og gassovn

1. Sørg for nok avstand fra vegger og andre skap (se fig. **9**, side 10).
2. Monter koketoppen og gassovnen som vist i fig. **10** til fig. **11**, side 11.

Betjening



ADVARSEL! Eksplosjonsfare

- Tenn brennerne så snart gassen er skrudd på. Hvis man ikke gjør det, kan det samle seg opp gass i brennerområdet og føre til utpuffing.
- Hele tenningen må være synlig ovenfra, og den må ikke tildekkes av gryter eller panner som er satt på.



PASS PÅ! Fare for skader

Kun CU351MK: Ikke bruk grillen i mer enn 25 minutter.



MERK

- Under bruk av koketoppen og gassovnen vil man høre litt lyd, noe som kommer fra gassen som siver ut.
- Ved første gangs bruk av koketoppen og gassovnen kan det oppstå røyk. Dette skyldes forbrente rester av maskinfett og opphører etter ca. 10 minutter.
- **Kun CU351MK:** Grillen kan ikke brukes som ovn.
- Når man bruker propan (G31), er flammen blå uten gule topper.
- Når man bruker butan (G30), er flammen blå med gule topper. De gule toppene blir mer intense når brenneren er oppvarmet.

Tenning av brennerne

- ▶ Tenn koketoppen som vist i fig. **12** (1) side 12 og fig. **13**, side 13.
- ▶ **Kun CU351MK:** Tenn grillen som vist i fig. **12** (2) side 12 og fig. **14**, side 14.
- ▶ Tenn ovnen som vist i fig. **12** (3) side 12 og fig. **15**, side 15.

Regulering av brennerne



PASS PÅ! Fare for skader

Sørg for at bakeplaten, ovnsristen og gryter og panner ikke kommer i kontakt med flammene inni ovnen.



MERK

- Etter at du har tent ovnen for første gang, lar du den stå på høyeste temperatur i minst 30 minutter før du regulerer temperaturen.
 - Etter at du har tent koketoppen for første gang, lar du den aktuelle flammen stå på største flammestørrelse i minst 15 – 20 minutter før du regulerer den.
- ▶ Sett den tilsvarende temperaturregulatoren til ønsket temperatur eller flammestørrelse (se kapittel «Temperaturregulatorene» på side 120 og kapittel «Temperaturområder for ovn» på side 120).

- ✓ Når brenneren til ovnen er tent, vil flammen holde seg på største flammestørrelse. Når ovnen får angitt temperatur, reduseres flammestørrelsen automatisk.

Bruke koketoppen



ADVARSEL! Brannfare

Blusset skal ikke komme utenfor flaten på kokekaret. Sentrer kokekaret over brenneren og bruk støtten for å sørge for en stabil base.

- Bruk passende kokekar. Undersøk diameteren til koketoppbrennere og kokekaret:

Brennerens diameter	Kokekarets diameter
Ø 62 mm	16 – 22 cm
Ø 77 mm	16 – 22 cm

- Bruk støtten for gryter og panner for at de skal stå stødig (se fig. 16, side 16).

Bruk av grill (bare CU351MK)



FORSIKTIG! Forbrenningsfare

- Bruk varmeskilt for beskytte regulatorene fra å bli oppvarmet av grillen.
- Varmeskiltet er svært varmt under og etter bruk av grillen. Bruk vernehansker når du berører varmeskiltet.

- Bruk varmeskiltet som vist i fig. 17, side 16.

Slå av koketopp og gassovn

- Slå koketoppen og gassovnen av som vist i fig. 18, side 17.

Spare strøm

- Slå koketoppen og gassovnen av etter bruk (se kapittel «Slå av koketopp og gassovn» på side 122).
- Lukk ovnsdøren under bruk.

Rengjøring og vedlikehold



ADVARSEL! Eksplosjonsfare

Ikke bruk flamme eller etsende væske for å se etter lekkasje i gasstilkoblingen.



FORSIKTIG! Forbrenningsfare

Koketoppen og gassovnen er svært varm etter og under bruk. Slå koketoppen og gassovnen av. La koketoppen og gassovnen kjøles ned før eventuell rengjøring, nedpakking eller flytting.



PASS PÅ! Fare for skader

- Ikke bruk sterke, slipende, korrosive og klorholdige rengjøringsmidler eller børster for å rengjøre koketoppen og gassovnen.
- Ikke bruk damprensere.
- Ikke bruk trykkluft for å rense gasstilkoblingen.
- Fjern edikk, salt, sitrusyre og andre syreholdige og alkaliske stoffer fra koketoppen og gassovnen.

- Rengjør koketoppen og gassovnen med oven en fuktig klut og nøytrale rengjøringsmidler (fig. 19, side 17).
- Rengjør ovnsbrenneren med vann som vist i fig. 20, side 18.
- Ta kontakt med et autorisert servicesenter for å rengjøre eller skifte ut gassinjektorer.

Vedlikehold av brennere



ADVARSEL! Brannfare

Edderkopper kan spinne spindelvev og insekter kan ta bolig inni brennerne. Spindelvev og slikt kan forhindre gassen i å flyte fritt og føre til brann. Fjern insekter, edderkopper, spindelvev og lignende fra brennerne.

1. Se etter spindelvev og lignende i brennerne to ganger i måneden.
2. Fjern insekter, edderkopper, spindelvev og lignende fra brennerne ved behov.

Utskiftning av gassflaske



ADVARSEL! Helsefare

- Bytt ut gassflasken på et godt ventilert sted.
- Forsikre deg om at det ikke er åpen ild i området.
- Skift ut gassflasken kun når koketoppen og gassovnen er slått av.

1. Lukk gassventilen på gassflasken.
2. Skru av regulatoren fra gassflasken.
3. Hvis det er bukt en gasslange, kontroller at den ikke er defekt.
4. Skift ut slangen hvis det er nødvendig (se kapittel «Utskiftning av slange» på side 123).
5. Skru regulatoren på den nye gassflasken for hånd.

Utskiftning av slange



ADVARSEL! Helsefare

- Bytt ut slangen på et godt ventilert sted.
- Forsikre deg om at det ikke er åpen ild i området.
- Skift ut slangen kun når koketoppen og gassovnen er slått av.

1. Lukk gassventilen på gassflasken.
2. Skru av regulatoren fra gassflasken.
3. Skift ut slangen.
4. Skru regulatoren på gassflasken igjen for hånd.
5. Kontroller gasslangen for lekkasje ved bruk av et skummende middel, f.eks. såpe.

Oppbevaring



ADVARSEL! Forbrenningsfare

Koketoppen og gassovnen er svært varm etter og under bruk. Slå koketoppen og gassovnen av. La koketoppen og gassovnen kjøles ned før eventuell nedpakking eller flytting.

1. Lukk gassventilen på gassflasken.
2. Rengjør koketoppen og gassovnen (se kapittel «Rengjøring og vedlikehold» på side 122).

Feilretting

Problem	Mulig årsak	Løsning
Apparatet tenner ikke.	Feil type gass er brukt.	<ul style="list-style-type: none">▶ Sørg for å bruke nok gass. Undersøk spesifikasjonene for gassregulering for koketoppen og gassovnen på typeskiltet og spesifikasjonene i kapittel «Tekniske spesifikasjoner» på side 125.▶ Skift ut gassflasken hvis det er nødvendig (se kapittel «Utskiftning av gassflaske» på side 123).
	Gassflasken er tom.	<ul style="list-style-type: none">▶ Skift ut gassflasken (se kapittel «Utskiftning av gassflaske» på side 123).
	Slangen er defekt.	<ul style="list-style-type: none">▶ Skift ut slangen (se kapittel «Utskiftning av slange» på side 123).
	Det er oppstått en feil eller dårlig tilkobling.	<ul style="list-style-type: none">▶ Koble til røret eller slangen igjen (kapittel «Tilkobling av gassflasken» på side 120).▶ Ved behov stenger du gasstilkoblingen og kontakter et autorisert serviceverksted.
	Termoelementet er defekt.	<ul style="list-style-type: none">▶ Steng gasstilkoblingen og kontakter et autorisert serviceverksted.
	Koketoppen og gassovnen er defekt.	
Koketoppbrenneren tennes ikke.	Det kommer ingen gnist.	<ul style="list-style-type: none">▶ Sett gjeldende brennerregulator til laveste nivå og slå på koketoppbrenneren (se kapittel «Tennning av brennerne» på side 121).
Ovnen tenner ikke.	Det kommer ingen gnist.	<ul style="list-style-type: none">▶ Slå av ovnen i ett minutt.▶ Slå på ovnen (se kapittel «Regulering av brennerne» på side 121).
Kun CU351MK: Grillen tenner ikke.	Det kommer ingen gnist.	<ul style="list-style-type: none">▶ Slå av grillen i ett minutt.▶ Slå på grillen (se kapittel «Bruke koketoppen» på side 122).

Garanti

Lovmessig garantitid gjelder. Hvis produktet er defekt, ta kontakt med forhandleren eller produsentens filial i landet (se dometic.com/dealer).

Ved henvendelser vedrørende reparasjon eller garanti, må du sende med følgende dokumentasjon:

- Kopi av kvitteringen med kjøpsdato
- Årsak til reklamasjonen eller beskrivelse av feilen

Vær oppmerksom på at reparasjoner som utføres selv, eller som ikke utføres på en profesjonell måte, kan gå ut over sikkerheten og føre til at garantien blir ugyldig.

Avfallshåndtering



- Lever emballasje til resirkulering så langt det er mulig.
- For å kaste produktet endelig ta kontakt med det lokale resirkuleringscenteret eller faghandler om hvordan du kan gjøre dette i overensstemmelse med gjeldende avfallshåndteringsforskrifter.

Tekniske spesifikasjoner

	CU351MK	CU354MK
Samlet nominell effekt	6,4 kW, 466 g/t	5,1 kW, 371 g/t
Nominell effekt for ovn	1,1 kW, 89 g/t	
Nominell effekt for grill	1,3 kW, 95 g/t	–
Nominell effekt for koketopp		
Venstre brenner	2,2 kW, 160 g/t	
Høyre brenner	1,8 kW, 131 g/t	
Luftmengde for forbrenning	12,8 m ³ /h	10,2 m ³ /h
Tilkoblingstrykk	fig. 6 , side 8	
Mål (H x B x D)	508 x 450 x 358 mm	398 x 449 x 357 mm
Vekt	18,50 kg	15,50 kg
Mål for brenner til koketopp		
Venstre brenner	Ø 62 mm	
Høyre brenner	Ø 70 mm	
Godkjenninger	CE	

Lue nämä ohjeet huolellisesti ja noudata kaikkia tämän tuotteen käyttöohjeissa annettuja ohjeita, määräyksiä ja varoituksia. Näin varmistat, että tuotteen asennus, käyttö ja huolto sujuu aina oikein. Näiden ohjeiden TÄYTYÄ jäädä tuotteen yhteyteen.

Käyttämällä tuotetta vahvistat lukeneesi kaikki ohjeet, määräykset ja varoitukset huolellisesti ja että ymmärrät ja hyväksyt tässä annetut ehdot. Sitoudut käyttämään tuotetta ainoastaan sen käyttötarkoitukseen ja ilmoitetuissa käyttökohteissa ja noudattaen tässä tuotteen käyttöohjeessa annettuja ohjeita, määräyksiä ja varoituksia sekä voimassa olevia lakeja ja määräyksiä. Tässä annettujen ohjeiden ja varoitusten lukematta ja noudattamatta jättäminen voi johtaa omaan tai muiden loukkaantumiseen, tuotteen vaurioitumiseen tai muun ympärillä olevan omaisuuden vaurioitumiseen. Tähän tuotteen käyttöohjeeseen, ohjeisiin, määräyksiin ja varoituksiin sekä oheisdokumentteihin voidaan tehdä muutoksia ja niitä voidaan päivittää. Katso ajantasaiset tuotetiedot osoitteesta documents.dometic.com.

Sisältö

Symbolien selitykset	126
Turvallisuusohjeet	126
Toimituskokonaisuus	128
Kohderyhmät	129
Käyttötarkoitus	129
Tekninen kuvaus	129
Asennus	130
Käyttö	131
Energian säästäminen	132
Puhdistus ja hoito	132
Varastointi	133
Vianetsintä	134
Takuu	134
Hävittäminen	135
Tekniset tiedot	135

Symbolien selitykset



VAROITUS!

Turvallisuusohjeet: viittaavat vaaralliseen tilanteeseen, joka voi johtaa kuolemaan tai vakavaan loukkaantumiseen, jos ohjeita ei noudateta.



HUOMIO!

Turvallisuusohjeet: viittaavat vaaralliseen tilanteeseen, joka voi johtaa lievään tai kohtalaiseen loukkaantumiseen, jos ohjeita ei noudateta.



HUOMAUTUS!

viittaavat tilanteeseen, joka voi johtaa esinevahinkoon, jos ohjeita ei noudateta.



OHJE

Tuotteen käyttöä koskevia lisätietoja.

Turvallisuusohjeet

Huomioitavaa ennen käyttöä

- Ennen asennustöiden aloittamista on varmistettava, että saatavilla oleva kaasun (kaasulaatu ja kaasun paine) sopivat yhteen laitteen säätöjen kanssa.
- Tämän laitteen säädöt on ilmoitettu kilvessä (tai tyyppitietokilvessä).
- Tätä laitetta ei ole yhdistetty palotuotteiden poistolaitteeseen. Se täytyy asentaa ja liittää voimassa olevien asennusmääräysten mukaisesti. Kiinnitä erityistä huomiota tuuletusta koskeviin vaatimuksiin.

Perusturvallisuus



VAROITUS! Näiden varoitusten noudattamatta jättäminen voi johtaa kuolemaan tai vakavaan vammaan.

Räjähdyksivaara

- Ainoastaan pätevät ammattilaiset saavat korjata tätä laitetta. Virheellisesti suoritetuista korjauksista saattaa aiheutua huomattavia vaaroja.
- Laite täytyy asentaa käyttömaassa voimassa olevien kansallisten määräysten mukaisesti.
- Laitetta saa käyttää vain tilassa, jossa on hyvä ilmanvaihto.
- Lue ohjeet ennen laitteen asentamista ja käyttöä.
- Älä tee laitteeseen muutoksia.
- Älä poista äläkä vaihda mitään tämän laitteen osia.
- Kaasuletku täytyy vaihtaa, jos kansalliset määräykset niin vaativat.
- Älä kierrä, venytä tai purista kaasunsyöttöletkua äläkä kohdista siihen mitään muita kuormituksia.

Palovaara

- Älä jätä tätä laitetta ilman valvontaa sen ollessa kuuma tai toiminnassa.
- Lapsia tulee valvoa sen varmistamiseksi, etteivät he leiki laitteella.
- Pidä sopiva sammutusväline saatavilla. Huolehdi siitä, että osaava alan ammattilainen tarkastaa sammutusvälineen säännöllisin väliajoin.

Palovammojen vaara

- Pidä kädet, kasvat ja hiukset kaukana polttimista.
- Älä käytä löysää vaatetusta tai päästä pitkiä hiuksia roikkumaan vapaasti, kun sytytät tai käytät tätä laitetta.
- Pidä lapset ja lemmikkieläimet etäisyydellä.
- Tarkkaile huolellisesti kaikkea toimintaa tämän laitteen lähellä välttääksesi palovammat tai muut vammat.
- Älä liikuta laitetta käytön aikana.

Terveysvaara

- Tätä laitetta voivat käyttää valvonnan alaisuudessa myös vähintään 8-vuotiaat lapset samoin kuin henkilöt, joiden fyysiset, aistinvaraiset tai henkiset kyvyt ovat rajoittuneet tai joilta puuttuu laitteen käytön vaatima kokemus tai tietämys, mikäli edellä mainittuja henkilöitä on opastettu käyttämään laitetta turvallisesti ja mikäli henkilöt ymmärtävät laitteen käyttöön liittyvät riskit.
- Lapsia tulee valvoa sen varmistamiseksi, etteivät he leiki laitteella.



HUOMIO! Näiden varoitusten noudattamatta jättäminen voi johtaa vähäiseen tai kohtalaiseen vammaan.

Loukkaantumiswaara

- Jos laitteessa on lasikansi, toimi näin lasikannen särkyessä:
 - Sammuta välittömästi kaikki polttimet ja sähkötoimiset lämmityselementit, ja katkaise laitteen virransaanti.
 - Älä kosketa laitteen pintaa.
 - Älä käytä laitetta.



HUOMAUTUS! Vahingonvaara

- Jos laitteessa on lasikansi:
 - Sulje lasikansi ennen matkan alkua.
 - Sammuta kaikki polttimet, ennen kuin suljet lasikannen.

Nestekaasun käsittelyä koskevat turva-toimet



VAROITUS! Näiden varoitusten noudattamatta jättäminen voi johtaa kuolemaan tai vakavaan vammaan.

Räjähdysvaara

- Irrota nestekaasupullo aina käytön jälkeen.
- Säilytä nestekaasupulloja etäällä lämmitys- ja ruuanlaittolaitteista ja muista valon- ja lämmönlähteistä paikassa, jossa on hyvä ilmanvaihto, ja lasten ulottumattomissa.
- Nestekaasupulloja **ei koskaan** saa säilyttää tuuletamattomissa paikoissa tai maan pinnan alapuolella (suppilomaiset kuopat).
- Nestekaasupulloja **ei koskaan** saa säilyttää rakennuksissa kuten autotalleissa.
- Sisäsäilytyksessä täytyy noudattaa kansallisia säädöksiä.
- Älä säilytä nestekaasupulloja kyljellään.
- Suojaa nestekaasupullot suoralta auringonpisteeltä. Lämpötila ei saa ylittää 50 °C:ta.

Laitteen käyttöturvallisuus



VAARA! Näiden ohjeiden noudattamatta jättäminen johtaa kuolemaan tai vakavaan loukkaantumiseen.

Häkämrykytsywaara

- Nestekaasun palamisesta syntyy häkää, ja suljetuissa tiloissa se pääsee kertymään. Käytä tätä laitetta vain riittävän ilmastoidussa tilassa.

Tukehtumisvaara

- Tämän laitteen käyttäminen tuuletamattomassa tilassa synnyttää happikadon.
- Älä käytä laitetta tilalämmittimenä.
- Kaasukäyttöisen ruuanlaittovälineen käyttö tuottaa kuumuutta, kosteutta ja palamistuotteita tilaan, johon se on asennettu.
 - Varmista, että keittiö on hyvin tuuletettu varsinkin laitteen ollessa käytössä.
 - Pidä luonnolliset tuuletusaukot auki tai asenna mekaaninen tuuletuslaite (esim. liesituuletin).
- Laitteen pitkäaikainen intensiivinen käyttö voi vaatia lisätuuletusta esimerkiksi avaamalla ikkunan, tai tehokkaampaa tuuletusta esimerkiksi lisäämällä mekaanisen tuuletuksen tasoa siellä, missä se on mahdollista.



VAROITUS! Näiden varoitusten noudattamatta jättäminen voi johtaa kuolemaan tai vakavaan vammaan.

Räjähdyksenvaara

- Älä käytä tätä laitetta, jos siinä on vuotoja tai vaurioita tai jos se ei toimi kunnolla.
- Älä käytä laitetta seuraavissa tilanteissa:
 - Huoltoasemilla
 - Autolautoilla
 - Kun asuntovaunua tai asuntoautoa kuljetetaan kuljetus- tai hinausajoneuvolla
- Tulipalon sattuessa katkaise kaasunsyöttö.
- Älä sijoita kemikaaleja, syttyviä materiaaleja tai aerosolisuihkeita tämän laitteen lähelle.
- Älä koskaan etsi kaasuvuotoja avoliekin avulla.
- Havaitessasi kaasun hajua:
 - Älä yritä sytyttää tätä laitetta.
 - Sammuta kaikki avoliekit.
 - Katkaise kaasunsyöttö.
 - Irrota laite kaasunsyötöstä.
 - Käyttäessäsi laitetta sisätiloissa avaa ikkunat ja tyhjennä ajoneuvo.
 - Tarkastuta kaasulaite ammattiliikkeellä.
- Kiinnitä tai irrota kaasusäiliö vain ulkotiloissa kaukana avoliekeistä, sytytysliekeistä tai muista syttymislähteistä ja vain, kun laite tuntuu kosketettaessa kylmältä.
- Tarkista, että tämän laitteen ja kaasusäiliön välinen tiiviste on paikallaan ja hyvässä kunnossa, ennen kuin käytät kaasusäiliötä.
- Älä käytä tätä laitetta, jos tiiviste on vaurioitunut tai kulunut.
- Katkaise kaasunsyöttö kaasupullosta käytön päätteeksi.

Palovaara

- Tämän laitteen lähellä ei saa käytön aikana olla syttyviä materiaaleja.
- Älä laita mitään muita esineitä kuin keittoastioita tämän laitteen päälle tai sitä vasten.
- Älä aseta tätä laitetta helposti syttyvien materiaalien lähelle (paperi, kuivat lehdet, tekstiilit).
- Pidä palavat esineet kaukana polttimesta.
- Aseta keittoastioiden kahvat seuraavasti:
 - Keittoastioiden kahvat eivät saa koskaan ulottua laitteen reunan yli.
 - Käännä keittoastian kahva sisäänpäin, mutta älä niin, että se ulottuu toisten polttimien yläpuolelle.
- Älä kuumenna rasvaa tai öljyä liikaa.

- Käsittele kuumia keittoastioita aina kuivilla patalapuilla.
- Kytke laite pois päältä, ennen kuin otat keittoastian pois.
- Käytä tätä laitetta vain, jos aikuinen voi olla paikalla.

Palovammojen vaara

- Kosketettavat osat voivat olla erittäin kuumia. Pidä pienet lapset loitolla.



HUOMIO! Näiden varoitusten noudattamatta jättäminen voi johtaa vähäiseen tai kohtalaiseen vammaan.

Palovammojen vaara

- Käytä suojakäsineitä kun käsittelet kuumia komponentteja.
- Anna laitteen jäähtyä, ennen kuin kosket siihen paljain käsin.
- Jos poltin sytytetään käsin:
 - Käytä pitkiä tulitikkuja tai sopivaa sytytintä.
 - Vedä kätesi nopeasti pois heti, kun poltin on syttynyt.
- Alkoholin tai käsikauppa- tai reseptilääkkeiden käyttäminen voi heikentää kykyäsi asentaa tämä laite asianmukaisesti tai käyttää sitä turvallisesti.



HUOMAUTUS! Vahingonvaara

- Älä käytä ulkoista ajastinta tai kaukosäädintä.

Toimituskokonaisuus

Kohde kuva 1, sivulla 3	Osa	Määrä
1	Keittoastian tuki	1
2	Leivinpelti	1
3	Uuniritilä	1
4	Liesi-kaasu-uuni-yhdistelmä	1
5	Asennuspikide	2

Kohderyhmät



Kaasuliitännän kokoamisen ja asennuksen saa tehdä vain pätevä henkilö, jolla on kaasulaitteiden rakentamiseen, asennukseen ja käyttöön tarvittavat tiedot ja taidot ja joka on käynyt turvallisuuskoulutuksen ja osaa siten tunnistaa ja välttää mahdolliset vaarat.

Käyttötarkoitus

Liesi-kaasu-uuni-yhdistelmä on tarkoitettu ruoan kypsentämiseen ja paistamiseen.

Vain CU351MK: Liesi-kaasu-uuni-yhdistelmä on lisäksi tarkoitettu ruoan grillaamiseen.

Liesi-kaasu-uuni-yhdistelmä on tarkoitettu ainoastaan vene- ja meriliikennekäyttöön. Suljetuissa tiloissa käyttäessä kohdassa kuva **5**, sivulla 7 esitettyjen vaatimusten pitää täytyä. Jos tilassa on 3 seinää, 30 % seinän pinta-alasta pitää olla avoinna ja ilman esteitä.

Liesi-kaasu-uuni-yhdistelmää **ei** ole tarkoitettu käyttöön fly deck -kannella, ajoneuvoissa tai rakennuksissa.

Tämä tuote soveltuu ainoastaan näissä ohjeissa ilmoitettuun käyttötarkoitukseen ja käyttökohteeseen.

Näistä ohjeista saat tuotteenasianmukaiseen asennukseen ja/tai käyttöön tarvittavat tiedot. Väärin tehdyn asennuksen ja/tai väärän käyttötavan tai vääränlaisen huollon seurauksena laite ei toimi tyydyttävästi, ja se saattaa mennä epäkuntoon.

Valmistaja ei ota vastuuta tapaturmista tai tuotevaurioista, jotka johtuvat seuraavista:

- Väärin tehty asennus tai liitännä, ylijännite mukaan lukien
- Väärin tehty huolto tai muiden kuin valmistajalta saatavien alkuperäisten varaosien käyttö
- Tuotteeseen ilman valmistajan nimenomaista lupaa tehdyt muutokset
- Käyttö muuhun kuin tässä ohjeessa ilmoitettuun tarkoitukseen

Kampa pidättää itsellään oikeuden muutoksiin tuotteen ulkonäössä ja spesifikaatioissa.

Tekninen kuvaus

Liesi-kaasu-uuni-yhdistelmällä voi valmistaa ja paistaa ruokaa.

Vain CU351MK: Liesi-kaasu-uuni-yhdistelmällä voi lisäksi grillata.

Liesi-kaasu-uuni-yhdistelmä kiinnitetään asennuspidikkeillä ja tapilla, jotka varmistavat laitteen tukevan asennon aaltojen liikkeissä. Laite on varustettu keittoastian tuella, joka takaa keittoastian tukevan asennon liedellä niin, ettei se luisu paikaltaan aaltojen liikkeissä.

Liesi-kaasu-uuni-yhdistelmä on liitettävä kaasupulloon.

CU354MK

Kohde kuva 2 , sivulla 4	Osa
1	Keittoastian tuki
2	Uunin lämpötilan säätönuppi
3	Uuniritilä
4	Leivinpelti
5	Uunin luukku
6	Lieden oikeanpuoleisen polttimen lämpötilan säätönuppi
7	Lieden vasemmanpuoleisen polttimen lämpötilan säätönuppi

CU351MK

Kohde kuva 3 , sivulla 5	Osa
1	Keittoastian tuki
2	Uunin lämpötilan säätönuppi
3	Grillin lämpötilan säätönuppi
4	Grilli
5	Leivinpelti

**Kohde
kuva 3, Osa
sivulla 5**

6	Uuniritilä
7	Uunin luukku
8	Lieden oikeanpuoleisen polttimen lämpötilan säätönuppi
9	Lieden vasemmanpuoleisen polttimen lämpötilan säätönuppi

Lämpötilan säätönupit

Uunin lämpötilaa ja polttimien liekin kokoa voidaan säätää (kuva 4, sivulla 6).

Uunin lämpötila-alue

Asento	1	2	3
Lämpötila	130 °C	160 °C	180 °C

Asento	4	5	6
Lämpötila	200 °C	220 °C	240 °C

Asennus



VAROITUS! Räjähdyksvaara

- Varmista ennen liesi-kaasu-uuni-yhdistelmän asentamista, että kaasun tyyppi ja paine sekä kaasunsyötön säätimet ovat yhteensopivia liesi-kaasu-uuni-yhdistelmän kanssa. Huomioi liesi-kaasu-uuni-yhdistelmän kaasunsäätöä koskevat tiedot tietolevyssä sekä tiedot luvussa kap. "Tekniset tiedot" sivulla 135.
- Liesi-kaasu-uuni-yhdistelmää ei liitetä liesituulettimeen. Asenna liesi-kaasu-uuni-yhdistelmä sovellettavien asennusmääräysten mukaisesti.

Asennuspaikan valitseminen

Kun valitset liesi-kaasu-uuni-yhdistelmälle sijoituspaikkaa, noudata seuraavia ohjeita:

- Sijoita liesi-kaasu-uuni-yhdistelmä ulkotilaan tai sisätilaan, joka on yhdenmukainen kohdassa kuva 5, sivulla 7 määritettyjen vaatimusten kanssa.
- Paikassa pitää olla hyvä ilmanvaihto.
- Älä laita liesi-kaasu-uuni-yhdistelmää syvennykseen, jotta kaasua ei pääse kerääntymään siihen.
- Pidä liesi-kaasu-uuni-yhdistelmä suojattuna tuulelta ja suoralta vedolta.
- Alustan täytyy olla luja, suora ja tukeva.
- Kotelo ja grilliosa kuumentuvat hyvin kuumiksi käytön aikana. Liesi-kaasu-uuni-yhdistelmän on oltava alustalla, joka kestää vähintään 80 °C:n lämpötilan.

Liittäminen kaasupulloon

Liesi-kaasu-uuni-yhdistelmää käytetään tavanomaisilla kaasupulloilla, joita kyseisessä käyttömaassa on saatavilla (kuva 6, sivulla 8).

Kaasupullon pitää täyttää seuraavat vaatimukset:

- Kaasupullo on aina asetettava sille tarkoitettuun tilaan.
 - Kaasupullon on aina oltava pystysuorassa.
 - Kaasupullossa on oltava paineensäädin, joka on helposti ulottuvilla ja joka ei ole peitettyä.
- Laitteeseen liitetyssä kaasunsyötössä on oltava jäykkä metalliputki, jonka liitännät on tiivistetty. Taipuisaa letkua käyttäessä seuraavien vaatimusten pitää täytyä:
- Letkun on oltava helposti ulottuvilla tarkastusta varten.
 - Letku ei saa olla kosketuksessa muiden kuumelevien osien kanssa.
 - Letku on suojattava niin, ettei se pääse vaurioitumaan.
 - Letku on suojattava niin, ettei se jää puristukseen liikkuvien osien, kuten esim. laatikostojen, väliin.
 - Letku ei saa olla pidempi kuin 1,5 m.
 - Letku on vaihdettava ennen sen viimeistä käyttöpäivämäärää.

1. Liitä kaasupullon letku tai putki liesi-kaasu-uuni-yhdistelmään (kuva 7 –kuva 8, sivulla 9). Letku on kiristettävä sopivalla säädettävällä kiintoavaimella, jotta kaasuliitäntä on tiivis.

2. Tarkista kaasuletku- tai putki vuotojen varalta vahtoavalla aineella, kuten esim. saippualla.



VAROITUS! Räjähdyksivaara

Älä käytä liekkiä tai syövyttävää nestettä kaasunsyötön tarkastamiseen vuotojen varalta.

Liesi-kaasu-uuni-yhdistelmän asentaminen

1. Varmista riittävä etäisyys seiniin ja muihin kaapeihin (katso kuva **9**, sivulla 10).
2. Asenna liesi-kaasu-uuni-yhdistelmä kuvissa kuva **10** –kuva **11**, sivulla 11 esitetyllä tavalla.

Käyttö



VAROITUS! Räjähdyksivaara

- Sytytä polttimet heti, kun kaasunsyöttö on kytketty päälle. Muussa tapauksessa kaasu saattaa kertyä polttimen alueelle ja aiheuttaa räjähdysvaaran.
- Koko sytytystoimenpide pitää voida nähdä ylhäältä katsoen, eikä se saa jäädä piiloon liedelle asetettujen astioiden taakse.



HUOMAUTUS! Vahingonvaara

Vain CU351MK: Käytä grilliä enintään 25 minuutin ajan.



OHJE

- Liesi-kaasu-uuni-yhdistelmän käytön aikana saattaa kuulua hieman ääntä, mikä johtuu kaasun haihtumisesta.
- Käyttäessä liesi-kaasu-uuni-yhdistelmää ensimmäisen kerran voi ilmetä savua. Tämä johtuu koneöljyjäämien palamisesta ja kestää noin 10 minuuttia.
- **Vain CU351MK:** Grilliä ei voi käyttää uunina.
- Propaania (G31) käyttäessä liekki on sininen ilman keltaisia kärkiä.
- Butaania (G30) käyttäessä liekki on sininen ja liekin kärki keltainen sytyttämisen yhteydessä. Keltaiset kärjet vahvistuvat polttimen kuumentuessa.

Polttimien sytyttäminen

- Sytytä liesi kuvassa kuva **12** (**1**) sivulla 12 ja kuva **13**, sivulla 13 esitetyllä tavalla.
- **Vain CU351MK:** Sytytä grilli kuvassa kuva **12** (**2**) sivulla 12 ja kuva **14**, sivulla 14 esitetyllä tavalla.
- Sytytä uuni kuvassa kuva **12** (**3**) sivulla 12 ja kuva **15**, sivulla 15 esitetyllä tavalla.

Poltinten säätäminen



HUOMAUTUS! Vahingonvaara

Varmista, että leivinpelti, uuniritilä ja keittoastiat eivät joudu kosketukseen uunissa olevien liekkien kanssa.



OHJE

- Sytytettyäsi uunin ensimmäisen kerran jätä uuni päälle korkeimpaan lämpötilaan vähintään 30 minuutiksi ennen sen säätämistä.
 - Sytytettyäsi liedien ensimmäisen kerran jätä vastaavan liedien liekki päälle korkeimpaan liekin kokoon vähintään 15 – 20 minuutiksi ennen sen säätämistä.
- Aseta vastaava lämpötilasäädin haluamaasi lämpötilaan tai liekin kokoon (katso kap. "Lämpötilan säätönpit" sivulla 130 ja kap. "Uunin lämpötila-alue" sivulla 130).
 - ✓ Kun uunin poltin on sytytetty, liekki pysyy suurimmalla liekillä. Kun uunin lämpötila on asetetussa arvossa, liekki palaa automaattisesti pienempään liekkiin.

Lieden käyttö



VAROITUS! Palovaara

Liekki ei saa ulottua keittoastian reunan yli. Aseta keittoastia keskitetysti polttimen päälle ja varmista sen tukeva asento keittoastian tuella.

- Käytä sopivia keittoastioita. Huomioi liedien polttimen ja keittoastian halkaisijat:

Lieden polttimen halkaisija

Keittoastian halkaisija

Ø 62 mm

16 – 22 cm

Ø 77 mm

16 – 22 cm

- Kiinnitä keittoastia keittoastian tukeen keittoastian tuessa olevien nuppien avulla (katso kuva **16**, sivulla 16).

Grillin käyttäminen (vain CU351MK)



HUOMIO! Palovammojen vaara

- Vedä lämpösuojalevy ulos nuppien suojaamiseksi grillin muodostamalta lämmöltä.
- Lämpösuojalevy on hyvin kuuma grillin käytön aikana ja jälkeen. Käytä suojakäsineitä koskiessasi lämpösuojalevyyn.

- Käytä lämpösuojalevyä kuvassa kuva **17**, sivulla 16 esitetyllä tavalla.

Liesi-kaasu-uuni-yhdistelmän kytkeminen pois päältä

- Kytke liesi-kaasu-uuni-yhdistelmä pois päältä kuvassa kuva **18**, sivulla 17 esitetyllä tavalla.

Energian säästäminen

- Kytke liesi-kaasu-uuni-yhdistelmä pois päältä käytön jälkeen (katso kap. "Liesi-kaasu-uuni-yhdistelmän kytkeminen pois päältä" sivulla 132).
- Pidä uunin luukku suljettuna uunin käytön aikana.

Puhdistus ja hoito



VAROITUS! Räjähdyksivaara

Älä käytä liekkiä tai syövyttävää nestettä kaasunsyötön tarkastamiseen vuotojen varalta.



HUOMIO! Palovammojen vaara

Liesi-kaasu-uuni-yhdistelmä on hyvin kuuma käytön aikana ja jälkeen. Kytke liesi-kaasu-uuni-yhdistelmä pois päältä. Anna liesi-kaasu-uuni-yhdistelmän jäähtyä ennen sen puhdistusta, pakkaamista tai kuljettamista.



HUOMAUTUS! Vahingonvaara

- Älä käytä liesi-kaasu-uuni-yhdistelmän puhdistamiseen hankaavia, syövyttäviä, klooripitoisia tai karkeita puhdistusaineita tai harjoja.
- Älä käytä höyrupesuria.
- Älä käytä paineilmaa kaasukierron puhdistamiseen.
- Poista etikka, suolat, sitruunahappo ja muut happamat tai emäkiset aineet liesi-kaasu-uuni-yhdistelmästä.

- Puhdista liesi-kaasu-uuni-yhdistelmä kostealla liinalla ja neutraaleilla puhdistusaineilla (kuva **19**, sivulla 17).
- Puhdista uuninpoltin vedellä kuvassa kuva **20**, sivulla 18 esitetyllä tavalla.
- Ota kaasusuuttimien puhdistuksen ja vaihdon osalta yhteyttä valtuutettuun huoltoon.

Polttimien kunnossapito



VAROITUS! Palovaara

Hämähäkit voivat kutoa verkkoja ja hyönteiset tehdä pesiä polttimien sisään. Verkot ja pesät voivat estää kaasun virtauksen ja aiheuttaa tulipalon. Poista mahdolliset hyönteiset, hämähäkit, verkot ja pesät polttimien sisältä.

1. Tarkista polttimet kahdesti kuukaudessa verkkojen ja pesien varalta.
2. Poista tarvittaessa mahdolliset hyönteiset, hämähäkit, verkot ja pesät polttimien sisältä.

Kaasupullon vaihtaminen



VAROITUS! Terveysvaara

- Vaihda kaasupullo paikassa, jossa on hyvä ilmanvaihto.
- Varmista, että lähellä ei ole avoliekkejä.
- Vaihda kaasupullo vain liesi-kaasu-uuni-yhdistelmän ollessa pois päältä.

1. Sulje kaasupullon kaasuventtiili.
2. Kierrä paineensäädin irti kaasupullosta.
3. Kaasuletkua käyttäessä varmista, ettei letkussa ole vikaa.
4. Vaihda letku tarvittaessa (katso kap. "Letkun vaihtaminen" sivulla 133).
5. Kierrä säädin käsin uuteen kaasupulloon.

Letkun vaihtaminen



VAROITUS! Terveysvaara

- Vaihda letku paikassa, jossa on hyvä ilmanvaihto.
- Varmista, että lähellä ei ole avoliekkejä.
- Vaihda letku vain liesi-kaasu-uuni-yhdistelmän ollessa pois päältä.

1. Sulje kaasupullon kaasuventtiili.
2. Kierrä paineensäädin irti kaasupullosta.
3. Vaihda kaasuletku.
4. Kierrä säädin käsin kaasupulloon.
5. Tarkista kaasuletku vuotojen varalta vaahtoavalla aineella, kuten esim. saippualla.

Varastointi



VAROITUS! Palovammojen vaara

Liesi-kaasu-uuni-yhdistelmä on hyvin kuuma käytön aikana ja jälkeen. Kytke liesi-kaasu-uuni-yhdistelmä pois päältä. Anna liesi-kaasu-uuni-yhdistelmän jäähtyä ennen sen pakkaamista tai kuljettamista.

1. Sulje kaasupullon kaasuventtiili.
2. Puhdista liesi-kaasu-uuni-yhdistelmä (katso kap. "Puhdistus ja hoito" sivulla 132).

Vianetsintä

Häiriö	Mahdollinen syy	Korjaus
Laite ei syty.	Käytössä on vääranlaista kaasua.	<ul style="list-style-type: none">▶ Varmista, että käytössä on riittävästi kaasua. Huomioi liesi-kaasu-uuni-yhdistelmän kaasunsaätöä koskevat tiedot tietolevyssä sekä tiedot luvussa kap. "Tekniset tiedot" sivulla 135.▶ Vaihda kaasupullo tarvittaessa (katso kap. "Kaasupullon vaihtaminen" sivulla 133).
	Kaasupullo on tyhjä.	<ul style="list-style-type: none">▶ Vaihda kaasupullo (katso kap. "Kaasupullon vaihtaminen" sivulla 133).
	Letku on viallinen.	<ul style="list-style-type: none">▶ Vaihda letku (katso kap. "Letkun vaihtaminen" sivulla 133).
	Kyseessä on toimintahäiriö tai huonot liitännät.	<ul style="list-style-type: none">▶ Liitä putki tai letku uudelleen (kap. "Liittäminen kaasupulloon" sivulla 130).▶ Kytke kaasunsyöttö tarvittaessa pois päältä ja ota yhteyttä valtuutettuun huoltopalveluun.
	Termoparissa on vika.	<ul style="list-style-type: none">▶ Kytke kaasunsyöttö pois päältä ja ota yhteyttä valtuutettuun huoltopalveluun.
	Liesi-kaasu-uuni-yhdistelmässä on vika.	
Lieden polttimet eivät syty.	Kipinöintiä ei muodostu.	<ul style="list-style-type: none">▶ Aseta vastaava liedien polttimen painike alimmalle tasolle ja kytke liedien poltin päälle (katso kap. "Polttimien sytyttäminen" sivulla 131).
Uuni ei syty.	Kipinöintiä ei muodostu.	<ul style="list-style-type: none">▶ Kytke uuni pois päältä 1 minuutiksi.▶ Kytke uuni päälle (katso kap. "Poltinten säätäminen" sivulla 131).
Vain CU351MK: Grilli ei syty.	Kipinöintiä ei muodostu.	<ul style="list-style-type: none">▶ Kytke grilli pois päältä 1 minuutiksi.▶ Kytke grilli päälle (katso kap. "Lieden käyttö" sivulla 131).

Takuu

Tuotetta koskee lakisääteinen tuotevastuu-aika. Jos tuote on viallinen, ota yhteyttä jälleenmyyjään tai valmistajan toimipisteeseen omassa maassasi (ks. dometic.com/dealer).

Jos lähetät tuotteen korjattavaksi, liitä korjaus- ja takuukäsittelyä varten mukaan seuraavat asiakirjat:

- Kopio kuitista, jossa näkyy ostopäivä
- Valitusperuste tai vikakuvaus

Huomaa, että itse tai väärin tehty korjaus voi vaarantaa turvallisuuden ja johtaa takuun raukeamiseen.

Hävittäminen



- ▶ Vie pakkausmateriaalit mahdollisuuksien mukaan niille tarkoitettuihin kierrätysjäteastioihin.
- ▶ Tiedustele lähimmästä kierrätyskeskuksesta tai erikoisliikkeestä tuotetta koskevia yksityiskohtaisia hävittämistä koskevia ohjeita.

Tekniset tiedot

	CU351MK	CU354MK
Kokonaisnimellisteho	6,4 kW, 466 g/h	5,1 kW, 371 g/h
Uunin nimellisteho	1,1 kW, 89 g/h	
Grillin nimellisteho	1,3 kW, 95 g/h	–
Lieden nimellisteho		
Vasemmanpuoleinen poltin	2,2 kW, 160 g/h	
Oikeanpuoleinen poltin	1,8 kW, 131 g/h	
Polttoilman tilavuus	12,8 m ³ /h	10,2 m ³ /h
Liitäntäpaine	kuva 6 , sivulla 8	
Mitat (K x L x S)	508 x 450 x 358 mm	398 x 449 x 357 mm
Paino	18,50 kg	15,50 kg
Lieden polttimen mitat		
Vasemmanpuoleinen poltin	Ø 62 mm	
Oikeanpuoleinen poltin	Ø 70 mm	
Hyväksynnät	CE	

Prosimy o uważne przeczytanie niniejszej instrukcji i przestrzeganie wszystkich zawartych w niej instrukcji postępowania, wskazówek i ostrzeżeń. Pozwoli to zapewnić, że produkt będzie zawsze prawidłowo instalowany, wykorzystywany i konserwowany. Niniejsza instrukcja MUSI przez cały czas pozostawać przy produkcie.

Korzystając z produktu, użytkownik potwierdza uważne przeczytanie wszelkich instrukcji, wskazówek i ostrzeżeń, ich zrozumienie oraz zobowiązuje się przestrzegać zawartych w nich warunków. Użytkownik zobowiązuje się wykorzystywać niniejszy produkt wyłącznie zgodnie z jego przeznaczeniem i zamierzonym zastosowaniem oraz z instrukcjami, wskazówkami i ostrzeżeniami wyszczególnionymi w niniejszej instrukcji produktu, jak również ze wszystkimi mającymi zastosowanie przepisami i regulacjami prawnymi. Nieprzestrzeganie zawartych tu instrukcji i ostrzeżeń może skutkować obrażeniami u użytkownika oraz osób trzecich, uszkodzeniem produktu lub też uszkodzeniem mienia w sąsiedztwie produktu. Zastrzega się możliwość wprowadzania zmian i aktualizacji niniejszej instrukcji produktu, wraz z instrukcjami, wskazówkami i ostrzeżeniami oraz powiązaną dokumentacją. Aktualne informacje dotyczące produktu można zawsze znaleźć na stronie documents.dometic.com.

Spis treści

Objaśnienie symboli	136
Wskazówki bezpieczeństwa	136
W zestawie	139
Odbiorcy instrukcji	139
Użytkowanie zgodne z przeznaczeniem	139
Opis techniczny	140
Montaż	141
Eksploatacja	142
Oszczędzanie energii	143
Czyszczenie i konserwacja	143
Przechowywanie	144
Usuwanie usterek	145
Gwarancja	146
Utylizacja	146
Dane techniczne	146

Objaśnienie symboli



OSTRZEŻENIE!

Wskazówka bezpieczeństwa: wskazuje niebezpieczną sytuację, która – jeśli się jej nie uniknie – może prowadzić do śmierci lub poważnych obrażeń.



OSTROŻNIE!

Wskazówka bezpieczeństwa: wskazuje niebezpieczną sytuację, która – jeśli się jej nie uniknie – może prowadzić do lekkich lub umiarkowanych obrażeń.



UWAGA!

Wskazuje sytuację, która – jeśli się jej nie uniknie – może prowadzić do powstania szkód materialnych.



WSKAZÓWKA

Dodatkowe informacje dotyczące obsługi produktu.

Wskazówki bezpieczeństwa

Uwagi wstępne

- Przed instalacją należy upewnić się, że lokalne warunki zasilania gazem (rodzaj i ciśnienie gazu) oraz regulacja urządzenia są ze sobą zgodne.
- Warunki regulacji dla urządzenia są podane na etykiecie (lub tabliczce znamionowej).
- Urządzenie to nie jest podłączone do urządzenia do odprowadzania produktów spalania. Należy je zainstalować i przyłączyć zgodnie z obowiązującymi przepisami dotyczącymi instalacji. Szczególną uwagę należy zwrócić na odpowiednie wymagania dotyczące wentylacji.

Podstawowe zasady bezpieczeństwa



OSTRZEŻENIE! Nieprzestrzeganie tych ostrzeżeń może prowadzić do śmierci lub ciężkich obrażeń.

Ryzyko wybuchu

- Napraw mogą dokonywać tylko odpowiednio wykwalifikowane osoby. Nieodpowiednio wykonane naprawy mogą być przyczyną poważnych zagrożeń.
- Urządzenie musi zostać zainstalowane zgodnie z przepisami obowiązującymi w kraju jego zastosowania.
- Urządzenia należy używać wyłącznie w dobrze wentylowanej przestrzeni.
- Przed instalacją lub użytkowaniem urządzenia należy zapoznać się z dołączonymi do niego instrukcjami.
- Nie wprowadzać modyfikacji w urządzeniu.

- Nie demontować ani nie wymieniać żadnych elementów urządzenia.
- Wąż do gazu należy wymienić, jeśli wymagają tego krajowe przepisy.
- Nie skręcać, nie rozciągać, nie zginać ani nie poddawać węża doprowadzającego gaz żadnym innym obciążeniem.

Ryzyko pożaru

- Nie pozostawiać gorącego lub pracującego urządzenia bez nadzoru.
- Należy dopilnować, aby dzieci nie bawiły się urządzeniem.
- Należy mieć w pogotowiu odpowiednią gaśnicę. Gaśnica powinna być regularnie kontrolowana przez wykwalifikowaną osobę.

Ryzyko poparzenia

- Nie zbliżać dłoni, twarzy ani włosów do palników.
- Nie nosić luźnej odzieży ani niezwiązanych długich włosów podczas zapalania lub korzystania z urządzenia.
- Trzymać dzieci i zwierzęta w bezpiecznej odległości.
- Zachować ostrożność podczas wykonywania wszelkich czynności przy urządzeniu, aby uniknąć oparzeń i innych obrażeń.
- Nie przemieszczać urządzenia w trakcie jego działania.

Zagrożenie zdrowia

- Dzieci od 8 lat i osoby o ograniczonych możliwościach fizycznych, sensorycznych lub intelektualnych oraz osoby niedysponujące stosowną wiedzą i doświadczeniem mogą używać tego urządzenia jedynie pod nadzorem innej osoby bądź pod warunkiem uzyskania informacji dotyczących bezpiecznego użytkowania urządzenia i zrozumienia wynikających z tego zagrożeń.
- Należy dopilnować, aby dzieci nie bawiły się urządzeniem.



OSTROŻNIE! Nieprzestrzeganie tych uwag może prowadzić do lekkich lub umiarkowanych obrażeń.

Ryzyko obrażeń

- Jeśli urządzenie posiada szklaną pokrywę, w przypadku stłuczenia szklanej pokrywy:
 - Natychmiast wyłączyć wszystkie palniki i ewentualne elektryczne elementy grzejne oraz odłączyć urządzenie od zasilania elektrycznego.
 - Nie dotykać powierzchni urządzenia.
 - Nie używać urządzenia.



UWAGA! Ryzyko uszkodzenia

- Jeśli urządzenie posiada szklaną pokrywę:
 - Przed rozpoczęciem podróży zamknąć szklaną pokrywę.
 - Przed zamknięciem szklanej pokrywy wyłączyć wszystkie palniki.

Środki ostrożności przy obchodzeniu się z gazem płynnym



OSTRZEŻENIE! Nieprzestrzeganie tych ostrzeżeń może prowadzić do śmierci lub ciężkich obrażeń.

Ryzyko wybuchu

- Po zakończeniu użytkowania zawsze odłączyć butlę z gazem płynnym.
- Butle z gazem płynnym należy przechowywać z dala od urządzeń grzewczych lub do gotowania oraz innych źródeł światła lub ciepła, w dobrze wentylowanym miejscu, niedostępnym dla dzieci.
- **Nigdy** nie przechowywać butli z gazem płynnym w niewentylowanych miejscach lub pod poziomem podłoga (w stożkowych zagłębieniach).
- **Nigdy** nie przechowywać butli z gazem płynnym w budynkach, takich jak garaże.
- W przypadku składowania w zamkniętych pomieszczeniach należy zawsze przestrzegać krajowych przepisów.
- Nie przechowywać butli z gazem płynnym leżących na boku.
- Butle z gazem płynnym należy chronić przed bezpośrednim światłem słonecznym. Temperatura nie powinna przekraczać 50°C.

Bezpieczeństwo podczas eksploatacji urządzenia



NIEBEZPIECZEŃSTWO! Nieprzestrzeganie tych instrukcji może prowadzić do śmierci lub ciężkich obrażeń.

Ryzyko zatrucia tlenkiem węgla

- Podczas spalania płynnego gazu powstaje tlenek węgla, który gromadzi się w zamkniętych przestrzeniach. Urządzenia należy używać wyłącznie przy dostatecznej wentylacji.

Ryzyko zadławienia i uduszenia

- Używanie urządzenia w niewentylowanym obszarze prowadzi do redukcji ilości tlenu na danym obszarze.
- Nie używać urządzenia jako grzejnika do ogrzewania pomieszczeń.
- Użytkowanie gazowego urządzenia do gotowania powoduje wytwarzanie ciepła, wilgoci i produktów spalania w pomieszczeniu, w którym jest ono zainstalowane.
 - Należy zapewnić dobrą wentylację kuchni, zwłaszcza w trakcie używania urządzenia.
 - Należy pozostawić otwarte naturalne otwory wentylacyjne lub zainstalować urządzenie do wentylacji mechanicznej (np. mechaniczny okap kuchenny).
- Długotrwałe intensywne użytkowanie urządzenia może wymagać dodatkowej wentylacji, na przykład otwarcia okna, lub bardziej efektywnej wentylacji – na przykład zwiększenia poziomu wentylacji mechanicznej.



OSTRZEŻENIE! Nieprzestrzeganie tych ostrzeżeń może prowadzić do śmierci lub ciężkich obrażeń.

Ryzyko wybuchu

- Nie używać urządzenia, jeśli jest ono nieszczone, uszkodzone lub nie działa prawidłowo.
- Nigdy nie używać urządzenia w następujących sytuacjach:
 - Na stacjach benzynowych
 - Na promach
 - Podczas holowania przyczepy kempingowej lub pojazdu kempingowego przez inne pojazdy, w tym pojazdy pomocy drogowej
- W przypadku pożaru odciąć dopływ gazu.
- Nie umieszczać w pobliżu urządzenia chemikaliów, materiałów łatwopalnych ani pojemników aeroszowych.

- Nigdy nie odszukiwać ew. wycieków gazu za pomocą otwartego płomienia.
- W przypadku zapachu gazu:
 - Nie próbować zapalać urządzenia.
 - Zgasić wszelkie nieosłonięte płomienie.
 - Odciąć dopływ gazu.
 - Odłączyć urządzenie od zasilania gazem.
 - Jeżeli urządzenie użytkowane jest wewnątrz pomieszczeń, otworzyć okna i wyprowadzić wszystkie osoby.
 - Zlecić kontrolę instalacji gazowej specjalistycznej firmie.
- Butlę gazową przyłączać i odłączać wyłącznie na zewnątrz, z dala od otwartych płomieni, płomieni pilotowych lub innych źródeł zapłonu i tylko wtedy, gdy urządzenie jest chłodne w dotyku.
- Przed zastosowaniem pojemnika z gazem sprawdzić prawidłowe umieszczenie i stan uszczelki pomiędzy urządzeniem a pojemnikiem z gazem.
- Nie używać urządzenia z uszkodzoną lub zużytą uszczelką.
- Po użyciu zakręcić zawór na pojemniku z gazem.

Ryzyko pożaru

- Urządzenie wykorzystywać z dala od materiałów łatwopalnych.
- Nie stawiać na urządzeniu ani przy nim żadnych przedmiotów poza naczyniami do gotowania.
- Nie stawiać urządzenia w pobliżu palnych materiałów (papier, suche liście, tekstylia).
- Łatwopalne przedmioty trzymać z dala od palnika.
- Uchwyty naczyń do gotowania ustawiać w następujący sposób:
 - Uchwyty naczyń do gotowania nie mogą wystawać poza krawędź urządzenia.
 - Uchwyty naczyń do gotowania muszą skierowane być do wewnątrz, ale nie mogą się one znajdować nad innymi palnikami.
- Nie podgrzewać nadmiernie oleju ani innych tłuszczów.
- Do gorących naczyń do gotowania należy używać wyłącznie suchych uchwytów do garnków.
- Wyłączyć urządzenie przed zdjęciem z niego naczyń do gotowania.
- Z urządzenia korzystać wyłącznie, gdy zapewniony jest nadzór osoby dorosłej.

Ryzyko poparzenia

- Dostępne części urządzenia mogą być bardzo gorące. Trzymać dzieci z dala od urządzenia.



OSTROŻNIE! Nieprzebrzeżenie tych uwag może prowadzić do lekkich lub umiarkowanych obrażeń.

Ryzyko poparzenia

- Podczas obchodzenia się z gorącymi elementami nosić rękawice ochronne.
- Przed dotknięciem urządzenia gołymi rękami pozostawić je do ostygnięcia.
- Podczas ręcznego zapalania palnika:
 - Używać długich zapalek lub odpowiedniej zapalarki.
 - Po zapaleniu palnika szybko cofnąć rękę.
- Spożywanie alkoholu lub zażywanie leków – dostępnych na receptę lub bez niej – może upośledzać zdolność do właściwego montażu i bezpiecznej obsługi tego urządzenia.



UWAGA! Ryzyko uszkodzenia

- Nie używać zewnętrznych programatorów czasowych ani systemów do zdalnego sterowania.

W zestawie

Poz. na rys. 1, strona 3	Element	Ilość
1	Uchwyt na naczynia do gotowania	1
2	Błacha do pieczenia	1
3	Ruszt	1
4	Kuchenka z piekarnikiem gazowym	1
5	Wspornik montażowy	2

Odbiorcy instrukcji



Przyłącze gazowe musi zostać wykonane i zainstalowane przez wykwalifikowaną osobę, posiadającą poświadczoną kompetencje i wiedzę w zakresie budowy, instalacji i obsługi urządzeń gazowych, która przeszła szkolenie w zakresie bezpieczeństwa, pozwalające na identyfikację i unikanie występujących zagrożeń.

Użytkowanie zgodne z przeznaczeniem

Kuchenka z piekarnikiem gazowym przeznaczona jest do gotowania i pieczenia żywności.

Tylko CU351MK: Kuchenka z piekarnikiem gazowym przeznaczona jest dodatkowo do grillowania żywności.

Kuchenka z piekarnikiem gazowym przeznaczona jest wyłącznie do stosowania na łodziach i jachtach. W przypadku wykorzystywania w zamkniętych przestrzeniach konieczne jest spełnienie wymagań przedstawionych na rys. 5, strona 7. Jeżeli obecne są 3 ściany, otwarta powierzchnia z nieograniczonym przepływem powietrza musi wynosić co najmniej 30% łącznej powierzchni ścian.

Kuchenka z piekarnikiem gazowym **nie** jest przeznaczona do użytku na pokładach otwartych, w pojazdach ani w budynkach.

Niniejszy produkt jest przystosowany wyłącznie do wykorzystywania zgodnie z jego przeznaczeniem oraz zamierzonym zastosowaniem według niniejszej instrukcji.

Niniejsza instrukcja zawiera informacje, które są niezbędne do prawidłowego montażu i/lub obsługi produktu. Nieprawidłowy montaż i/lub niewłaściwa obsługa lub konserwacja powodują niezadowolające działanie i mogą prowadzić do uszkodzeń.

Producent nie ponosi żadnej odpowiedzialności za ewentualne obrażenia lub uszkodzenia produktu wynikłe z następujących przyczyn:

- Nieprawidłowy montaż lub podłączenie, w tym zbyt wysokie napięcie
- Niewłaściwa konserwacja lub użycie innych części zamiennych niż oryginalne części zamienne dostarczone przez producenta
- Wprowadzanie zmian w produkcie bez wyraźnej zgody producenta
- Użytkowanie w celach innych niż opisane w niniejszej instrukcji obsługi

Firma Kampa zastrzega sobie prawo do zmiany wyglądu i specyfikacji produktu.

Opis techniczny

Kuchenka z piekarnikiem gazowym nadaje się do gotowania i pieczenia żywności.

Tylko CU351MK: Kuchenka z piekarnikiem gazowym nadaje się dodatkowo do grillowania.

Kuchenkę z piekarnikiem gazowym mocuje się za pomocą wsporników montażowych i sworznia, co zapobiega jej przemieszczaniu się w trakcie ruchów statku na fali. Urządzenie wyposażone jest w uchwyt naczyń do gotowania, który zapewnia ich stabilne ustawienie na płycie grzewczej oraz zapobiega ich przesuwaniu się w trakcie ruchów statku na fali.

Kuchenkę z piekarnikiem gazowym należy podłączyć do butli gazowej.

CU354MK

Poz. na rys. 2 , strona 4	Element
1	Uchwyt na naczynia do gotowania
2	Pokrętko regulacji temperatury w piekarniku
3	Ruszt
4	Blacha do pieczenia
5	Drzwi piekarnika

Poz. na rys. 2 , strona 4	Element
6	Pokrętko regulacji temperatury prawego palnika płyty grzewczej
7	Pokrętko regulacji temperatury lewego palnika płyty grzewczej

CU351MK

Poz. na rys. 3 , strona 5	Element
1	Uchwyt na naczynia do gotowania
2	Pokrętko regulacji temperatury w piekarniku
3	Pokrętko regulacji temperatury grilla
4	Grill
5	Blacha do pieczenia
6	Ruszt
7	Drzwi piekarnika
8	Pokrętko regulacji temperatury prawego palnika płyty grzewczej
9	Pokrętko regulacji temperatury lewego palnika płyty grzewczej

Pokrętkła regulacji temperatury

Temperaturę w piekarniku oraz rozmiar płomieni palników można regulować (rys. **4**, strona 6).

Zakresy temperatury w piekarniku

Pozycja	1	2	3
Temperatura	130°C	160°C	180°C

Pozycja	4	5	6
Temperatura	200°C	220°C	240°C

Montaż



OSTRZEŻENIE! Ryzyko wybuchu

- Przed instalacją kuchenki z piekarnikiem gazowym upewnić się, że jakość i ciśnienie gazu oraz reduktory stosowane do zasilania gazem są zgodne z wymaganiami urządzenia. Przestrzegać specyfikacji regulacji dopływu gazu dla kuchenki z piekarnikiem gazowym podanych na tabliczce znamionowej, jak również specyfikacji w rozdz. „Dane techniczne” na stronie 146.
- Kuchenki z piekarnikiem gazowym nie podłącza się do okapu. Instalacji kuchenki z piekarnikiem gazowym należy dokonywać zgodnie z obowiązującymi przepisami w zakresie instalacji.

Wybór miejsca montażu

Przy wyborze miejsca ustawienia kuchenki z piekarnikiem gazowym należy przestrzegać następujących zaleceń:

- Kuchenkę z piekarnikiem gazowym należy ustawić na zewnątrz lub w zamkniętej przestrzeni spełniającej wymagania przedstawione na rys. **5**, strona 7.
- Miejsce ustawienia musi być dobrze wentylowane.
- Nie umieszczać kuchenki z piekarnikiem gazowym w zagłębieniach, aby zapobiec gromadzeniu się w nich gazów.
- Chronić kuchenkę z piekarnikiem gazowym przed wiatrem i przeciągami.
- Podłoże musi być twarde, równe i stabilne.
- Obudowa i komora grilla nagrzewają się w trakcie pracy do bardzo wysokich temperatur. Kuchenka z piekarnikiem gazowym musi być ustawiona na podstawie, która może wytrzymać temperaturę co najmniej 80°C.

Podłączanie do butli gazowej

Kuchenkę z piekarnikiem gazowym można zasilać z butli gazowej dostępnej w kraju, w którym jest ona używana (rys. **6**, strona 8).

Butla gazowa musi spełniać następujące wymagania:

- Butlę gazową należy zawsze umieszczać w przeznaczonej do tego celu komorze.
- Butlę gazową należy zawsze stawiać pionowo.
- Butla gazowa musi być wyposażona w reduktor, który musi być łatwo dostępny i nie może być niczym zakryty.

Przyłącze gazu do urządzenia musi mieć postać sztywnej metalowej rury z uszczelnionymi połączeniami. W przypadku stosowania elastycznego węża konieczne jest spełnienie następujących wymagań:

- Wąż musi być łatwo dostępny w celu jego kontroli.
- Wąż musi być zabezpieczony przed dotknięciem innych części, które mogą się nagrzewać.
- Wąż musi być chroniony przed uszkodzeniami.
- Wąż musi być zabezpieczony przed przygnieceniem przez ruchome części, takie jak szuflady.
- Wąż nie może być dłuższy niż 1,5 m.
- Wąż należy wymienić przed upłynięciem jego daty przydatności do użytku.

1. Podłączyć rurę lub wąż od butli gazowej do kuchenki z piekarnikiem gazowym (rys. **7** do rys. **8**, strona 9). Wąż należy przykręcić odpowiednim kluczem, np. kluczem nastawnym, w celu zapewnienia gazoszczelnego uszczelnienia.
2. Sprawdzić wąż lub rurę do gazu pod kątem nieszczelności za pomocą pieniącej się substancji, np. mydła.



OSTRZEŻENIE! Ryzyko wybuchu

Do kontroli szczelności nie używać płomienia ani żrących cieczy.

Montaż kuchenki z piekarnikiem gazowym

1. Zapewnić wystarczającą odległość od ściany i szafek (patrz rys. **9**, strona 10).
2. Zamontować kuchenkę z piekarnikiem gazowym w sposób zilustrowany na rys. **10** do rys. **11**, strona 11.

Eksploatacja



OSTRZEŻENIE! Ryzyko wybuchu

- Palnik należy zapalać natychmiast po włączeniu gazu. W przeciwnym razie gaz może zgromadzić się w obszarze palnika i spowodować wybuch.
- Cały proces zapalania musi być widoczny z góry, a widoczności nie mogą ograniczać naczynia do gotowania umieszczone na płycie grzewczej.



UWAGA! Ryzyko uszkodzenia

Tylko CU351MK: Nie używać grilla przez dłużej niż 25 minut.



WSKAZÓWKA

- Podczas pracy kuchenki z piekarnikiem gazowym słyszalny może być cichy odgłos wypływu gazu.
- Podczas pierwszego użycia z kuchenki z piekarnikiem gazowym może wydobywać się dym. Jest to spowodowane paleniem się pozostałości oleju maszynowego i ustaje po około 10 minutach.
- **Tylko CU351MK:** Nie używać grilla jako piekarnika.
- W przypadku stosowania propanu (G31) płomień jest niebieski bez żółtych szczytów.
- W przypadku stosowania butanu (G30) płomień jest niebieski z widocznymi po zapaleniu żółtymi szczytami. Po rozgrzaniu się palnika żółte szczyty stają się bardziej intensywne.

Zapalenie palników

- ▶ Zapalić palnik płyty grzewczej w sposób zilustrowany na rys. **12 (1)** strona 12 i rys. **13**, strona 13.
- ▶ **Tylko CU351MK:** Zapalić grill w sposób zilustrowany na rys. **12 (2)** strona 12 i rys. **14**, strona 14.
- ▶ Zapalić piekarnik w sposób zilustrowany na rys. **12 (3)** strona 12 i rys. **15**, strona 15.

Regulowanie palników



UWAGA! Ryzyko uszkodzenia

Uważać, aby blacha do pieczenia, ruszt piekarnika oraz naczynia do gotowania nie miały kontaktu z płomieniami wewnątrz piekarnika.



WSKAZÓWKA

- Po pierwszym zapaleniu piekarnika pozostawić go na co najmniej 30 minut na maksymalnym ustawieniu temperatury, a dopiero później regulować.
- Po pierwszym zapaleniu płyty grzewczej pozostawić dany palnik ustawiony na największy rozmiar płomienia na co najmniej 15 – 20 minut, a dopiero później regulować.

- ▶ Ustawić odpowiednie pokrętko regulacji temperatury na żądaną temperaturę lub rozmiar płomienia (patrz rozdz. „Pokrętkła regulacji temperatury” na stronie 140 i rozdz. „Zakresy temperatury w piekarniku” na stronie 140).
- ✓ Po zapaleniu piekarnika płomień pozostaje ustawiony na maksymalny poziom. Po osiągnięciu ustawionej temperatury w piekarniku płomień jest automatycznie zmniejszany.

Korzystanie z płyty grzewczej



OSTRZEŻENIE! Ryzyko pożaru

Płomień nie może sięgać poza krawędź naczynia do gotowania. Ustawić naczynie do gotowania pośrodku palnika i zabezpieczyć je przed przesunięciem się lub przewróceniem za pomocą uchwytów na naczynia do gotowania.

- ▶ Stosować odpowiednie naczynia do gotowania. Przestrzegać średnic naczyń do gotowania dla poszczególnych średnic palników płyty grzewczej:

Średnica palnika płyty grzewczej	Średnica naczyń do gotowania
Ø 62 mm	16 – 22 cm
Ø 77 mm	16 – 22 cm

- Zabezpieczyć naczynia do gotowania w uchwycie na naczynia do gotowania za pomocą pokręteł uchwytu (patrz rys. **16**, strona 16).

Korzystanie z grilla (tylko CU351MK)



OSTROŻNIE! Ryzyko poparzenia

- Wyciągnąć osłonę termiczną w celu zapewnienia ochrony pokręteł przed nagrzewaniem przez grill.
- Podczas używania grilla, a także po zakończeniu jego używania osłona termiczna pozostaje bardzo gorąca. Osłony termicznej należy dotykać wyłącznie w rękawicach ochronnych.

- Użyć osłony termicznej w sposób zilustrowany na rys. **17**, strona 16.

Wyłączanie kuchenki z piekarnikiem gazowym

- Wyłączyć kuchenkę z piekarnikiem gazowym w sposób zilustrowany na rys. **18**, strona 17.

Oszczędzanie energii

- Wyłączać kuchenkę z piekarnikiem gazowym po każdym użyciu (patrz rozdz. „Wyłączanie kuchenki z piekarnikiem gazowym” na stronie 143).
- Podczas korzystania z piekarnika trzymać jego drzwi zamknięte.

Czyszczenie i konserwacja



OSTRZEŻENIE! Ryzyko wybuchu

Do kontroli szczelności nie używać płomienia ani żrących cieczy.



OSTROŻNIE! Ryzyko poparzenia

Podczas pracy kuchenki z piekarnikiem gazowym, a także po jej wyłączeniu pozostaje ona bardzo gorąca. Wyłączyć kuchenkę z piekarnikiem gazowym. Przed czyszczeniem, pakowaniem lub transportem kuchenki z piekarnikiem gazowym odczekać do jej ostygnięcia.



UWAGA! Ryzyko uszkodzenia

- Do czyszczenia kuchenki z piekarnikiem gazowym nie używać środków czyszczących o właściwościach ściernych, żrących, zawierających chlor ani też szczotek z twardym włosiem.
- Nie używać myjki parowej.
- Nie używać sprężonego powietrza do czyszczenia instalacji gazowej.
- Usuwać z kuchenki z piekarnikiem gazowym ocet, sól, kwas cytrynowy oraz wszelkie inne kwaśne lub zaskrzepowe substancje.

- Kuchenkę z piekarnikiem gazowym czyścić wilgotną ściereczką i neutralnymi środkami czyszczącymi (rys. **19**, strona 17).
- Palnik piekarnika czyścić wodą w sposób zilustrowany na rys. **20**, strona 18.
- W celu wyczyszczenia lub wymiany dysz skontaktować się z autoryzowanym centrum serwisowym.

Konserwacja palników



OSTRZEŻENIE! Ryzyko pożaru

Wewnątrz palników mogą pojawić się sieci pająków oraz gniazda owadów. Takie sieci i gniazda mogą zakłócać przepływ gazu i powodować pożary. Należy usuwać owady, pająki, gniazda i sieci z wnętrza palnika.

1. Dwa razy w miesiącu kontrolować palniki pod kątem obecności sieci lub gniazd.
2. W razie potrzeby usunąć wszelkie owady, pająki, gniazda i sieci z wnętrza palnika.

Wymiana butli gazowej



OSTRZEŻENIE! Zagrożenie zdrowia

- Butlę gazową wymieniać w dobrze wentylowanych miejscach.
- Upewnić się, że w otoczeniu nie ma otwartego ognia.
- Butlę gazową wymieniać tylko przy wyłączonej kuchence z piekarnikiem gazowym.

1. Zamknąć zawór gazu na butli gazowej.

2. Odłączyć reduktor od butli z gazem.
3. W przypadku wykorzystywania węża do gazu upewnić się, że nie jest on uszkodzony.
4. W razie potrzeby wymienić wąż (patrz rozdz. „Wymiana węża” na stronie 144).
5. Ręcznie przykręcić reduktor do nowej butli gazowej.

Wymiana węża



OSTRZEŻENIE! Zagrożenie zdrowia

- Wąż wymieniać w dobrze wentylowanym obszarze.
- Upewnić się, że w otoczeniu nie ma otwartego ognia.
- Wąż wymieniać tylko przy wyłączonej kuchenke z piekarnikiem gazowym.

1. Zamknąć zawór gazu na butli gazowej.
2. Odłączyć reduktor od butli z gazem.
3. Wymienić wąż do gazu.
4. Ręcznie przykręcić reduktor do butli gazowej.
5. Sprawdzić wąż do gazu pod kątem nieszczelności za pomocą pieniącej się substancji, np. mydła.

Przechowywanie



OSTRZEŻENIE! Ryzyko poparzenia

Podczas pracy kuchenki z piekarnikiem gazowym, a także po jej wyłączeniu pozostaje ona bardzo gorąca. Wyłączyć kuchenkę z piekarnikiem gazowym. Przed pakowaniem lub transportem kuchenki z piekarnikiem gazowym odczekać do jej ostygnięcia.

1. Zamknąć zawór gazu na butli gazowej.
2. Wyczyścić kuchenkę z piekarnikiem gazowym (patrz rozdz. „Czyszczenie i konserwacja” na stronie 143).

Usuwanie usterek

Usterka	Możliwa przyczyna	Czynność zaradcza
Urządzenie nie zapala się.	Zastosowano nieprawidłowy rodzaj gazu.	<ul style="list-style-type: none">▶ Upewnić się, że stosowany jest odpowiedni gaz. Przestrzegać specyfikacji regulacji dopływu gazu dla kuchenki z piekarnikiem gazowym podanych na tabliczce znamionowej, jak również specyfikacji w rozdz. „Dane techniczne” na stronie 146.▶ W razie potrzeby wymienić butlę gazową (patrz rozdz. „Wymiana butli gazowej” na stronie 143).
	Butla z gazem jest pusta.	<ul style="list-style-type: none">▶ Wymienić butlę gazową (patrz rozdz. „Wymiana butli gazowej” na stronie 143).
	Wąż jest uszkodzony.	<ul style="list-style-type: none">▶ Wymienić wąż (patrz rozdz. „Wymiana węża” na stronie 144).
	Wystąpiła usterka lub problem z podłączeniem.	<ul style="list-style-type: none">▶ Ponownie podłączyć rurę lub wąż (rozdz. „Podłączanie do butli gazowej” na stronie 141).▶ W razie potrzeby odciąć dopływ gazu i skontaktować się z autoryzowanym centrum serwisowym.
	Termopara jest uszkodzona. Kuchenka z piekarnikiem gazowym jest uszkodzona.	<ul style="list-style-type: none">▶ Odciąć dopływ gazu i skontaktować się z autoryzowanym centrum serwisowym.
Palniki płyty grzewczej nie zapalają się.	Nie są generowane iskry.	<ul style="list-style-type: none">▶ Ustawić pokrętko odpowiedniego palnika na najniższy poziom i włączyć palnik płyty grzewczej (patrz rozdz. „Zapalanie palników” na stronie 142).
Piekarnik nie zapala się.	Nie są generowane iskry.	<ul style="list-style-type: none">▶ Wyłączyć piekarnik na 1 minutę.▶ Włączyć piekarnik (patrz rozdz. „Regulowanie palników” na stronie 142).
Tylko CU351MK: Grill nie zapala się.	Nie są generowane iskry.	<ul style="list-style-type: none">▶ Wyłączyć grill na 1 minutę.▶ Włączyć grill (patrz rozdz. „Korzystanie z płyty grzewczej” na stronie 142).

Gwarancja

Obowiązuje ustawowy okres gwarancji.
W przypadku stwierdzenia uszkodzenia produktu należy skontaktować się z jego sprzedawcą lub z oddziałem producenta w danym kraju (patrz dometic.com/dealer).

W celu naprawy lub realizacji gwarancji konieczne jest przesłanie wraz z produktem następujących dokumentów:

- Kopii rachunku z datą zakupu
- Informacji o przyczynie reklamacji lub opisu wady

Uwaga: Samodzielne lub nieprofesjonalne wykonywanie napraw może powodować zagrożenia oraz doprowadzić do utraty gwarancji.

Utylizacja



- ▶ Opakowanie należy wyrzucić do odpowiedniego pojemnika na odpady do recyklingu.
- ▶ Szczegółowe informacje na temat utylizacji produktu zgodnie z obowiązującymi przepisami można uzyskać w lokalnym zakładzie recyklingu lub u specjalistycznego dystrybutora.

Dane techniczne

	CU351MK	CU354MK
Łączna moc znamionowa	6,4 kW, 466 g/h	5,1 kW, 371 g/h
Moc znamionowa piekarnika	1,1 kW, 89 g/h	
Moc znamionowa grilla	1,3 kW, 95 g/h	–
Moc znamionowa płyty grzewczej		
Lewy palnik	2,2 kW, 160 g/h	
Prawy palnik	1,8 kW, 131 g/h	
Objętość powietrza do spalania	12,8 m ³ /h	10,2 m ³ /h
Ciśnienie przyłączeniowe	rys. 6, strona 8	
Wymiary (wys. x szer. x gł.)	508 x 450 x maks. 358 mm	398 x 449 x maks. 357 mm
Masa	18,50 kg	15,50 kg
Wymiary palników płyty grzewczej		
Lewy palnik	Ø 62 mm	
Prawy palnik	Ø 70 mm	
Atesty		

Dôkladne si prečítajte tento návod a dodržiavajte všetky pokyny, usmernenia a varovania uvedené v tomto návode k výrobku, aby sa zaručilo, že výrobok sa vždy bude správne inštalovať, používať a udržiavať. Tento návod **MUSÍ** zostať priložený k výrobku.

Používaním tohto výrobku týmto potvrdzujete, že ste si dôkladne prečítali všetky pokyny, usmernenia a varovania a že rozumiete a súhlasíte s dodržiavaním všetkých uvedených podmienok. Súhlasíte, že tento výrobok budete používať len v súlade so zamýšľaným použitím a v súlade s pokynmi, usmerneniami a varovania uvedenými v tomto návode k výrobku, ako aj v súlade so všetkými platnými zákonmi a nariadeniami. V prípade, že si neprečítate a nebudete sa riadiť pokynmi a varovaniami uvedenými v tomto návode, môže mať za následok vaše poranenie alebo poranenie iných osôb, poškodenie vášho výrobku alebo poškodenie majetku v jeho blízkosti. Tento návod k výrobku vrátane pokynov, usmernení a varovaní, a súvisiaca dokumentácia môže podliehať zmenám a aktualizáciám. Najaktuálnejšie informácie o výrobku nájdete na adrese documents.domestic.com.

Obsah

Vysvetlenie symbolov	147
Bezpečnostné pokyny	147
Rozsah dodávky	150
Cieľové skupiny	150
Používanie v súlade s určením	150
Technický opis	150
Montáž	151
Obsluha	152
Úspora energie	153
Čistenie a údržba	153
Skladovanie	154
Odstraňovanie porúch	155
Záruka	155
Likvidácia	156
Technické údaje	156

Vysvetlenie symbolov



VÝSTRAHA!

Bezpečnostný pokyn: označuje nebezpečnú situáciu, ktorej následkom môže byť smrť alebo vážne zranenie, ak sa jej nezabráni.



UPOZORNENIE!

Bezpečnostný pokyn: označuje nebezpečnú situáciu, ktorej následkom môže byť malé alebo stredne ťažké zranenie, ak sa jej nezabráni.



POZOR!

Označuje situáciu, ktorej následkom môže byť poškodenie majetku, ak sa jej nezabráni.



POZNÁMKA

Doplňujúce informácie týkajúce sa obsluhy produktu.

Bezpečnostné pokyny

Predbežné poznámky

- Pred inštaláciou sa ubezpečte, že podmienky miestnej dodávky (druh plynu a tlak plynu) a nastavenie zariadenia sa zhodujú.
- Podmienky nastavenia pre toto zariadenie sú uvedené na štítku (alebo typovom štítku).
- Toto zariadenie nie je pripojené k zariadeniu na odvod splođín/produktov horenia. Musí byť nainštalované a pripojené v súlade s aktuálne platnými montážnymi predpismi. Pozornosť je nutné venovať najmä relevantným požiadavkám ohľadom vetrania.

Základy bezpečnosti



VÝSTRAHA! Nedodržanie týchto varovaní môže mať za následok smrť alebo vážne poranenie.

Nebezpečenstvo výbuchu

- Opravy na tomto zariadení smie vykonávať len spôsobilý personál. Neodborné opravy môžu zapríčiniť vážne ohrozenia.
- Toto zariadenie musí byť nainštalované v súlade so všetkými vnútroštátnymi predpismi platnými v krajine použitia.
- Toto zariadenie sa musí používať len v dobre vetranej miestnosti.
- Pred montážou alebo použitím tohto zariadenia si prečítajte návod.
- Zariadenie nepozmeňujte ani neupravujte.
- Nepokúšajte sa odstrániť alebo vymeniť žiadnu súčasť tohto zariadenia.

- Plynovú hadicu je potrebné vymeniť, ak si to vyžadujú predpisy danej krajiny.
- Plynovú hadicu neskrúcajte, nenaťahujte, nestláčajte ani na ňu neaplikujte zaťaženie.

Nebezpečenstvo požiaru

- Toto zariadenie nenechávajte bez dozoru, keď sa používa.
- Dohliadnite na to, aby sa deti nehrali so zariadením.
- Majte pripravený vhodný hasiaci prístroj. Postarajte sa, aby hasiaci prístroj v pravidelných intervaloch skontroloval kvalifikovaný personál.

Nebezpečenstvo popálenia

- Nepribližujte sa rukami, tvárou a vlasmi k horáku.
- Nenoste voľný odev alebo si zopnite dlhé vlasy, keď zapalujete alebo používate toto zariadenie.
- Nedovoľte deťom a domácim miláčikom, aby sa priblížili k výrobku.
- Starostlivo sledujte činnosti a prostredie okolo tohto zariadenia, aby ste predišli popáleninám alebo iným poraneniam.
- Zariadenie nepremiestňujte, ak sa používa.

Nebezpečenstvo ohrozenia zdravia

- Toto zariadenie smú používať deti od 8 rokov a osoby so zníženými psychickými, zmyslovými alebo mentálnymi schopnosťami a vedomosťami, keď sú pod dozorom alebo keď boli poučené o bezpečnom používaní zariadenia a chápu, aké riziká z toho vyplývajú.
- Dohliadnite na to, aby sa deti nehrali so zariadením.



UPOZORNENIE! Nedodržanie týchto upozornení môže mať za následok drobné alebo stredne ťažké poranenie.

Nebezpečenstvo poranenia

- Ak má zariadenie sklenené veko, v prípade rozbitia skleneného veka:
 - Okamžite vypnite všetky horáky a akýkoľvek elektrický ohrievací prvok a odpojte zariadenie od prívodu energie.
 - Nedotýkajte sa povrchu zariadenia.
 - Nepoužívajte zariadenie.



POZOR! Nebezpečenstvo poškodenia

- Ak má zariadenie sklenené veko:
 - Skôr než sa vydáte na cestu zatvorte sklenené veko.
 - Pred zatvorením skleneného veka vypnite všetky horáky.

Bezpečnostné preventívne opatrenia pri manipulácii so skvapalneným plynom



VÝSTRAHA! Nedodržanie týchto varovaní môže mať za následok smrť alebo vážne poranenie.

Nebezpečenstvo výbuchu

- Po použití vždy odpojte fľašu so skvapalneným plynom.
- Fľaše so skvapalneným plynom skladujte mimo dosahu spotrebičov na ohrievanie, kúrenie a varenie a iných zdrojov svetla alebo tepla, na dobre vetranom mieste a mimo dosahu detí.
- Fľaše so skvapalneným plynom **nikdy** neskladujte na nevetraných miestach alebo pod úrovňou podlahy (lievikovité priehlbne v zemi).
- Fľaše so skvapalneným plynom **nikdy** neskladujte v priestoroch, ako sú napríklad garáže.
- Pri akomkoľvek skladovaní v interiéri musia byť dodržané národné predpisy.
- Fľaše so skvapalneným plynom nikdy neskladujte poležiačky.
- Fľaše so skvapalneným plynom chráňte pred priamym slnečným žiarením. Teplota nesmie presiahnuť 50 °C.

Bezpečnosť pri prevádzke zariadenia



NEBEZPEČENSTVO! Nedodržanie týchto pokynov bude mať za následok smrť alebo vážne poranenie.

Nebezpečenstvo otravy oxidom uhoľnatým

- Pri procese spaľovania skvapalneného plynu vzniká oxid uhoľnatý, ktorý sa hromadí v uzavretom priestore. Toto zariadenie používajte len pri dostatočnom vetraní.

Nebezpečenstvo udusenía

- Používanie tohto zariadenia v nevetranom priestore vedie k nedostatku kyslíka v tomto priestore.
- Nepoužívajte zariadenie ako ohrievač.
- Používanie plynového spotrebiča na varenie má za následok produkciu tepla, vlhkosti a spalín v miestnosti, v ktorej je nainštalovaný.
 - Zabezpečte dobré vetranie kuchyne, najmä keď sa zariadenie používa.
 - Nechajte otvorené prirodzené vetracie otvory alebo nainštalujte mechanické vetracie zariadenie (napr. mechanický odsávač pár).
- Dlhodobé intenzívne používanie zariadenia si môže vyžadovať dodatočné vetranie, napríklad otvorenie okna, alebo účinnejšie vetranie, napríklad zvýšenie úrovne mechanickej ventilácie, ak je k dispozícii.



VÝSTRAHA! Nedodržanie týchto varovaní môže mať za následok smrť alebo vážne poranenie.

Nebezpečenstvo výbuchu

- Nepoužívajte toto zariadenie, ak netesní, je poškodené alebo nefunguje správne.
- Nikdy nepoužívajte zariadenie v nasledujúcich situáciách:
 - na čerpacích staniciach
 - na kompách
 - počas prepravy obytného vozidla alebo karavanu pomocou prepravného alebo odťahového vozidla
- V prípade požiaru vypnite prívod plynu.
- Neskladujte chemikálie, horľavé materiály alebo spreje v blízkosti tohto spotrebiča.
- Nikdy nekontrolujte únik plynu pomocou otvoreného plameňa.
- V prípade zápachu plynu:
 - Nepokúšajte sa zapáliť toto zariadenie.
 - Zahaste všetky otvorené plamene.
 - Vypnite prívod plynu.
 - Zariadenie odpojte od prívodu plynu.
 - Keď sa zariadenie používa vnútri, otvorte okná a vyvetrajte vozidlo.
 - Plynovú sústavu nechajte skontrolovať odborníkom.
- Plynovú nádobu pripájajte alebo odpojajte v exteriéri mimo dosahu otvoreného plameňa, pilotného plameňa alebo iných zápalných zdrojov a iba vtedy, keď je toto zariadenie chladné na dotyk.

- Pred použitím plynovej nádoby skontrolujte, či je tesnenie medzi týmto zariadením a plynovou nádobou na svojom mieste a v dobrom stave.
- Ak je tesnenie poškodené alebo opotrebované, zariadenie nepoužívajte.
- Po použití vypnite prívod plynu na plynovej nádobe.

Nebezpečenstvo požiaru

- Toto zariadenie nesmie byť počas používania v blízkosti horľavých materiálov.
- Na alebo pred toto zariadenie neumiestňujte iné predmety než kuchynský riad.
- Nikdy neumiestňujte toto zariadenie do blízkosti horľavých materiálov (papier, suché lístie, textilie).
- Horľavé predmety neskladujte v blízkosti horáka.
- Umiestnite rukoväť kuchynského riadu takto:
 - Rukoväť kuchynského riadu nikdy nenechajte prečnievať cez okraj zariadenia.
 - Otočte rukoväť kuchynského riadu dovnútra, ale tak, aby sa nenachádzali nad inými horákmi.
- Neohrievajte nadmerne tuk ani olej.
- Na manipuláciu s horúcim kuchynským riadom používajte len suché kuchynské chňapky.
- Pred odobratím kuchynského riadu zariadenie vypnite.
- Toto zariadenie používajte iba v prítomnosti dospeléj osoby.

Nebezpečenstvo popálenia

- Prístupné časti a diely môžu byť veľmi horúce. Nedovoľte deťom, aby sa priblížili.



UPOZORNENIE! Nedodržanie týchto upozornení môže mať za následok drobné alebo stredne ťažké poranenie.

Nebezpečenstvo popálenia

- Pri manipulácii s horúcimi súčasťami používajte ochranné rukavice.
- Zariadenie nechajte dostatočne vychladnúť, skôr než sa ho dotknete holými rukami.
- Pri ručnom zapálení horáka:
 - Používajte dlhé zápalky alebo vhodný zapalovač.
 - Hneď po zapálení horáka rýchlo odťahnite ruku.

- Požitie alkoholu alebo liekov na predpis či voľne predajných liekov môže ovplyvniť vašu schopnosť správnej montáže alebo bezpečného používania tohto spotrebiča.



POZOR! Nebezpečenstvo poškodenia

- Nepoužívajte externý časovač alebo systém diaľkového ovládania.

Rozsah dodávky

Č. na obr. 1, strane 3	Dielec	Počet
1	Držiak kuchynského riadu	1
2	Plech na pečenie	1
3	Rošt pece	1
4	Varič a plynová rúra	1
5	Montážna konzola	2

Cieľové skupiny



Montáž a inštaláciu plynovej prípojky musí vykonať kvalifikovaná osoba, ktorá preukázala zručnosti a znalosti týkajúce sa konštrukcie, inštalácie a prevádzky plynových spotrebičov a absolvovala bezpečnostné školenie na identifikáciu a predchádzanie príslušným nebezpečenstvám.

Používanie v súlade s určením

Varič a plynová rúra sú určené na varenie a pečenie jedál.

Iba model CU351MK: Varič a plynová rúra sú navyše určené na grilovanie jedál.

Varič a plynová rúra sú určené iba pre použitie na lodiach a mori. Pre použitie v uzavretých priestoroch musia byť dodržané požiadavky zobrazené v obr. 5, strane 7. V prípade s 3 stenami musí byť 30 % celkovej plochy stien otvorených a bez obmedzenia.

Varič a plynová rúra **nie sú** určené na použitie na palubách, vo vozidlách alebo budovách.

Tento výrobok je vhodný iba na použitie na zamýšľaný účel a použitie v súlade s týmto návodom.

Tento návod obsahuje informácie, ktoré sú nevyhnutné pre správnu inštaláciu a/alebo obsluhu výrobku. Chybná inštalácia a/alebo nesprávna obsluha či údržba bude mať za následok neuspokojivý výkon a možnú poruchu.

Výrobca nenesie žiadnu zodpovednosť za akékoľvek poranenia či škody na výrobku spôsobené:

- Nesprávnou montážou alebo pripojením vrátane nadmerného napätia
- Nesprávnou údržbou alebo použitím iných ako originálnych náhradných dielov poskytnutých výrobcom
- Zmenami výrobku bez výslovného povolenia výrobcu
- Použitím na iné účely než na účely opísané v návode

Firma Kampa si vyhradzuje právo na zmenu vzhľadu a technických parametrov výrobku.

Technický opis

Varič a plynová rúra umožňujú varenie a pečenie.

Iba model CU351MK: Varič a plynová rúra navyše umožňujú grilovanie.

Varič a plynová rúra sú upevnené s montážnymi konzolami a kolíkom, ktoré zaručia, že spotrebič zostane na mieste počas vlnenia. Spotrebič je vybavený držiakom kuchynského riadu, ktorý zaručí, že kuchynský riad zostane pevne na variči a nezošmykne sa počas vlnenia.

Varič a plynová rúra musia byť pripojené k plynovej fľaši.

CU354MK

Č.
na obr. **2**,
Dielec
strane 4

1	Držiak kuchynského riadu
2	Regulátor teploty rúry
3	Rošt pece
4	Plech na pečenie
5	Dvierka rúry
6	Regulátor teploty praveho horáka variča
7	Regulátor teploty ľavého horáka variča

CU351MK

Č.
na obr. **3**,
Dielec
strane 5

1	Držiak kuchynského riadu
2	Regulátor teploty rúry
3	Regulátor teploty grilu
4	Gril
5	Plech na pečenie
6	Rošt pece
7	Dvierka rúry
8	Regulátor teploty praveho horáka variča
9	Regulátor teploty ľavého horáka variča

Regulátory teploty

Teplotu rúry a veľkosť plameňa horákov je možné regulovať (obr. **4**, strane 6).

Rozsah teploty rúry

Poloha	1	2	3
Teplota	130 °C	160 °C	180 °C

Poloha	4	5	6
Teplota	200 °C	220 °C	240 °C

Montáž



VÝSTRAHA! Nebezpečenstvo výbuchu

- Pred montážou variča a plynovej rúry sa ubezpečte, že kvalita a tlak plynu a regulátory prívodu plynu sú kompatibilné s varičom a plynovou rúrou. Dodržte špecifikáciu regulátora plynu pre varič a plynovú rúru na typovom štítku a špecifikácie v kap. „Technické údaje“ na strane 156.
- Varič a plynová rúra nie sú pripojené k digestoru. Namontujte varič a plynovú rúru v súlade s platnými montážnymi predpismi.

Výber miesta montáže

Pri výbere miesta postavenia variča a plynovej rúry sa riadte nasledujúcimi pokynmi:

- Umiestnite varič a plynovú rúru v exteriéri alebo v uzavretom priestore, ktorý spĺňa požiadavky zobrazené v obr. **5**, strane 7.
- Miesto musí byť dobre vetrané.
- Neumiestňujte varič a plynovú rúru ho do priehlbiny, aby ste predišli hromadeniu plynu.
- Varič a plynovú rúru chráňte pred vetrom a prievanom.
- Podklad musí byť pevný, rovný a stabilný.
- Kryt a skriňa grilu sa počas používania môžu veľmi zohriať. Varič a plynová rúra musia byť postavené na základni, ktorá dokáže odolať teploty najmenej 80 °C.

Pripojenie k plynovej fľaši

Varič a plynová rúra sa používajú s bežnými plynovými fľašami, ktoré sú dostupné v krajine, kde sa používajú (obr. **6**, strane 8).

Plynová fľaša musí spĺňať nasledujúce podmienky:

- Plynová fľaša musí byť vždy umiestnená v priehradke, ktorá je pre ňu určená.

- Plynová fľaša musí byť vždy umiestnená vo zvislej polohe.
- Plynová fľaša musí byť vybavená s regulátorom tlaku, ktorý je ľahko prístupný a nezakrytý.

Prívod plynu pripojený k spotrebiču musí byť pevná kovová rúra s utesnenými prípojkami. Ak sa používa pružná hadica, musia byť splnené nasledujúce podmienky:

- Hadica musí byť ľahko prístupná pre účely inšpekcie.
- Hadica musí byť chránená pred kontaktom s inými dielmi, ktoré sa zohrejú.
- Hadica musí byť chránená pred poškodením.
- Hadica musí byť chránená pred zovretím pohyblivými dielmi, ako napríklad zásuvky.
- Hadica nesmie byť dlhšia ako 1,5 m.
- Hadica sa musí vymeniť pred jej dátumom expirácie.

1. Pripojte rúru alebo hadicu plynovej fľaše k variču a plynovej rúre (obr. **7** až obr. **8**, strane 9).

Hadica sa musí utiahnuť s vhodným kľúčom, ako napríklad nastaviteľný kľúč pre dosiahnutie plynotesného utesnenia.

2. Skontrolujte netesnosť plynovej hadice alebo potrubia pomocou peniaceho prostriedku, napr. mydlo.



VÝSTRAHA! Nebezpečenstvo výbuchu

Na kontrolu netesností prívodu plynu nepoužívajte plameň alebo korozívnej kvapaliny.

Montáž variča a plynovej rúry

1. Zabezpečte dostatočnú vzdialenosť od stien a iných skriniek (pozri obr. **9**, strane 10).
2. Namontujte varič a plynovú rúru, ako je znázornené na obr. **10** až obr. **11**, strane 11.

Obsluha



VÝSTRAHA! Nebezpečenstvo výbuchu

- Ihneď po zapnutí prívodu plynu zapáľte horáky. V opačnom prípade sa môže plyn nahromadiť v oblasti horáka a zapríčiniť výbuch.
- Celý postup zapálenia musí byť viditeľný zhora a nesmie ho zakrývať kuchynský riad umiestnený na variči.



POZOR! Nebezpečenstvo poškodenia

Iba model CU351MK: Gril nepoužívajte dlhšie ako 25 minút.



POZNÁMKA

- Počas prevádzky variča a plynovej rúry môže byť počut' mierny hluk, ktorý je spôsobený unikajúcim plynom.
- Pri prvom použití variča a plynovej rúry sa môže objaviť dym. Toto je spôsobené spaľovaním vrstiev strojového oleja a prestane to približne po 10 minútach.
- **Iba model CU351MK:** Gril sa nemôže používať ako pec.
- Pri použití propánu (G31) je plameň modrý bez žltých špičiek.
- Pri použití butánu (G3) je plameň pri zapálení modrý so žltými špičkami. Žlté špičky sú intenzívnejšie, keď je horák zohriaty.

Zapálenie horákov

- ▶ Zapáľte varič tak, ako je znázornené na obr. **12 (1)** strane 12 a obr. **13**, strane 13.
- ▶ **Iba model CU351MK:** Zapáľte gril tak, ako je znázornené na obr. **12 (2)** strane 12 a obr. **14**, strane 14.
- ▶ Zapáľte rúru tak, ako je znázornené na obr. **12 (3)** strane 12 a obr. **15**, strane 15.

Regulácia horákov



POZOR! Nebezpečenstvo poškodenia

Ubezpečte sa, že plech na pečenie, rošt rúry a kuchynský riad sa nedostanú do kontaktu s plameňmi vnútri rúry.



POZNÁMKA

- Po prvom zapálení rúry nechajte rúru na najvyššej teplote najmenej 30 minút, skôr než ju začnete regulovať.
- Po prvom zapálení variča nechajte príslušný plameň variča na plameni s najväčšou veľkosťou 15 – 20 minút, skôr než ho začnete regulovať.

- Nastavte príslušný regulátor teploty na požadovanú teplotu alebo veľkosť plameňa (pozri kap. „Regulátory teploty“ na strane 151 a kap. „Rozsah teploty rúry“ na strane 151).
- ✓ Pri zapálení horáka rúry zostane plameň na najväčšom plameni. Keď rúra dosiahne nastavenú teplotu, plameň sa automaticky vráti na menší plameň.

Používanie variča



VÝSTRAHA! Nebezpečenstvo požiaru

Plameň nesmie presahovať cez spodný okraj kuchynského riadu. Vycentrujte kuchynský riad nad horák a s použitím držiaka kuchynského riadu zabezpečte pevné postavenie.

- Postarajte sa, aby ste používali vhodný kuchynský riad. Dodržte priemer horáka variča a kuchynského riadu:

Priemer horáka variča	Priemer kuchynského riadu
Ø 62 mm	16 – 22 cm
Ø 77 mm	16 – 22 cm

- Zaisťte kuchynský riad v držiaku kuchynského riadu s použitím gombíkov na držiaku kuchynského riadu (pozri obr. 16, strane 16).

Používanie grilu (iba model CU351MK)



UPOZORNENIE! Nebezpečenstvo popálenia

- Vytiahnite tepelný štít na ochranu regulátorov pred ich zohriatím grilom.
- Tepelný štít je veľmi horúci počas používania a po použití grilu. Pri dotýkaní sa tepelného štítu noste ochranné rukavice.

- Použite tepelný štít tak, ako je znázornené na obr. 17, strane 16.

Vypnutie variča a plynovej rúry

- Vypnite varič a plynovú rúru tak, ako je znázornené na obr. 18, strane 17.

Úspora energie

- Vypnite varič a plynovú rúru po použití (pozri kap. „Vypnutie variča a plynovej rúry“ na strane 153).
- Zatvorte dvierka rúry počas používania rúry.

Čistenie a údržba



VÝSTRAHA! Nebezpečenstvo výbuchu

Na kontrolu netesností prívodu plynu nepoužívajte plameň alebo korozívnej kvapaliny.



UPOZORNENIE! Nebezpečenstvo popálenia

Varič a plynová rúra sú veľmi horúce počas používania a po použití. Vypnite varič a plynovú rúru. Pred čistením, zbalením alebo prepravou nechajte varič a plynovú rúru vychladnúť.



POZOR! Nebezpečenstvo poškodenia

- Na čistenie variča a plynovej rúry nepoužívajte abrazívne, korozívne, chlórované a tvrdé čistiace prostriedky alebo kefy.
- Nepoužívajte parné čističe.
- Nepoužívajte stlačený vzduch na čistenie plynového okruhu.
- Odstráňte octy, soli, kyselinu citrónovú alebo iné kyselinové alebo alkalické látky z variča a plynovej rúry.

- ▶ Očistíte varič a plynovú rúru s vlhkou handrou s použitím neutrálnych čistiacich prostriedkov (obr. 19, strane 17).
- ▶ Očistíte horák rúry s vodou, ako je znázornené na obr. 20, strane 18.
- ▶ Pre čistenie alebo výmenu vstrekovačov plynu kontaktujte autorizované servisné centrum.

Údržba horákov



VÝSTRAHA! Nebezpečenstvo požiaru

Vnútri horákov si pavúky môžu utkať pavučiny a hmyz si môže postaviť hniezda. Pavučiny a hniezda môžu obmedziť prietok plynu a spôsobiť požiar. Odstráňte akýkoľvek hmyz, pavúky, hniezda alebo pavučiny vnútri horáka.

1. Dvakrát mesačne skontrolujte horáky na prítomnosť pavučín a hniezda.
2. Ak je to nutné, odstráňte hmyz, pavúky, hniezda a pavučiny vnútri horáka.

Výmena plynovej fľaše



VÝSTRAHA! Nebezpečenstvo ohrozenia zdravia

- Plynovú fľašu vymieňajte na dobre vetranom mieste.
- Ubezpečte sa, že v oblasti nehorí otvorený plameň.
- Plynovú fľašu vymieňajte iba pri vypnutom variči a plynovej rúre.

1. Zatvorte plynový ventil na plynovej fľaši.

2. Odskrutkujte regulačný ventil od plynovej fľaše.
3. Ak sa používa plynová hadica, ubezpečte sa, že hadica nie je poškodená.
4. Ak je to nutné, vymeňte hadicu (pozri kap. „Vymeňte hadicu“ na strane 154).
5. Ručne zaskrutkujte regulačný ventil do novej plynovej fľaše.

Vymeňte hadicu



VÝSTRAHA! Nebezpečenstvo ohrozenia zdravia

- Hadicu vymieňajte na dobre vetranom mieste.
- Ubezpečte sa, že v oblasti nehorí otvorený plameň.
- Hadicu vymieňajte iba pri vypnutom variči a plynovej rúre.

1. Zatvorte plynový ventil na plynovej fľaši.
2. Odskrutkujte regulačný ventil od plynovej fľaše.
3. Vymeňte plynovú hadicu.
4. Ručne zaskrutkujte regulačný ventil do plynovej fľaše.
5. Skontrolujte netesnosť plynovej hadice pomocou peniaceho prostriedku, napr. mydlo.

Skladovanie



VÝSTRAHA! Nebezpečenstvo popálenia

Varič a plynová rúra sú veľmi horúce počas používania a po použití. Vypnite varič a plynovú rúru. Pred zbalením alebo prepravou nechajte varič a plynovú rúru vychladnúť.

1. Zatvorte plynový ventil na plynovej fľaši.
2. Vyčistite varič a plynovú rúru (pozri kap. „Čistenie a údržba“ na strane 153).

Odstraňovanie porúch

Porucha	Možná príčina	Náprava
Spotrebič sa nezapáli.	Používa sa nesprávny plyn.	<ul style="list-style-type: none">▶ Ubezpečte sa, že používate vhodný plyn. Dodržte špecifikáciu regulátora plynu pre varič a plynovú rúru na typovom štítku a špecifikácie v kap. „Technické údaje“ na strane 156.▶ Ak je to nutné, vymeňte plynovú fľašu (pozri kap. „Výmena plynovej fľaše“ na strane 154).
	Plynová fľaša je prázdna.	<ul style="list-style-type: none">▶ Vymeňte plynovú fľašu (pozri kap. „Výmena plynovej fľaše“ na strane 154).
	Hadica je chybná.	<ul style="list-style-type: none">▶ Vymeňte hadicu (pozri kap. „Vymeňte hadicu“ na strane 154).
	Vyskytla sa porucha alebo nedostačonné pripojenia.	<ul style="list-style-type: none">▶ Znovu pripojte potrubie alebo hadicu (kap. „Pripojenie k plynovej fľaši“ na strane 151).▶ Ak je to nutné, vypnite prívod plynu a kontaktujte autorizovaného servisného technika.
	Termočlánok je chybný.	<ul style="list-style-type: none">▶ Vypnite prívod plynu a kontaktujte autorizovaného servisného technika.
	Varič a plynová rúra sú chybné.	
Horáky variča sa nezapália.	Nezapáli sa iskra.	<ul style="list-style-type: none">▶ Nastavte príslušný regulátor horáka variča na najnižšiu úroveň a zapnite horák variča (pozri kap. „Zapálenie horákov“ na strane 152).
Rúra sa nezapáli.	Nezapáli sa iskra.	<ul style="list-style-type: none">▶ Vypnite rúru na 1 minútu.▶ Zapnite rúru (pozri kap. „Regulácia horákov“ na strane 152).
Iba model CU351MK: Gril sa nezapáli.	Nezapáli sa iskra.	<ul style="list-style-type: none">▶ Vypnite gril na 1 minútu.▶ Zapnite gril (pozri kap. „Použitvanie variča“ na strane 153).

Záruka

Platí zákonom stanovená záručná lehota. Ak je výrobok poškodený, obráťte sa na svojho predajcu alebo pobočku výrobcu vo svojej krajine (pozri dometic.com/dealer).

Ak žiadate o vybavenie opravy alebo nárokov vyplývajúcich zo záruky, k zaslanému produktu musíte priložiť nasledujúce dokumenty:

- Kópiu faktúry s dátumom kúpy,
- Dôvod reklamácie alebo opis chyby.

Upozorňujeme Vás, že samooprava alebo neodborná oprava môže mať za následok ohrozenie bezpečnosti a zánik záruky.

Likvidácia



- Obalový materiál dávajte podľa možnosti do príslušného recyklovateľného odpadu.
- Informujte sa v najbližšom recyklačnom stredisku alebo u vášho špecializovaného predajcu o likvidácii výrobku v súlade s príslušnými predpismi týkajúcimi sa likvidácie.

Technické údaje

	CU351MK	CU354MK
Celkový menovitý výkon	6,4 kW, 466 g/h	5,1 kW, 371 g/h
Menovitý výkon rúry	1,1 kW, 89 g/h	
Menovitý výkon grilu	1,3 kW, 95 g/h	–
Menovitý výkon variča		
Ľavý horák	2,2 kW, 160 g/h	
Pravý horák	1,8 kW, 131 g/h	
Objem vzduchu pre spaľovanie	12,8 m ³ /h	10,2 m ³ /h
Pripájací tlak	obr. 6 , strane 8	
Rozmery (V × Š × H)	508 × 450 × 358 mm	398 × 449 × 357 mm
Hmotnosť	18,50 kg	15,50 kg
Rozmery horáka variča		
Ľavý horák	Ø 62 mm	
Pravý horák	Ø 70 mm	
Povolenia	CE	

Pečlivě si prosím přečtěte a dodržujte všechny pokyny, směrnice a varování obsažené v tomto návodu k výrobku, abyste měli jistotu, že výrobek budete vždy správně instalovat, používat a udržovat. Tyto pokyny MUSÍ být uchovávány v blízkosti výrobku.

Používáním výrobku tímto potvrzujete, že jste si pečlivě přečetli všechny pokyny, směrnice a varování a že rozumíte podmínkám uvedeným v tomto dokumentu a souhlasíte s nimi. Souhlasíte s používáním tohoto výrobku pouze k určenému účelu a použití a v souladu s pokyny, směrnicemi a varováními uvedenými v tomto návodu k výrobku a v souladu se všemi příslušnými zákony a předpisy. Pokud si nepřečtete a nebudete dodržovat zde uvedené pokyny a varování, může to vést ke zranění vás i ostatních, poškození vašeho výrobku nebo poškození jiného majetku v okolí. Tento návod k výrobku, včetně pokynů, směrnic a varování a související dokumentace může být předmětem změn a aktualizací. Aktuální informace o výrobku naleznete na documents.dometic.com.

Obsah

Vysvětlení symbolů	157
Bezpečnostní pokyny	157
Obsah dodávky	160
Cílové skupiny	160
Použití v souladu s účelem	160
Technický popis	160
Montáž	161
Obsluha	162
Úspora energie	163
Čištění a péče	163
Skladování	164
Odstraňování poruch a závad	165
Záruka	165
Likvidace	166
Technické údaje	166

Vysvětlení symbolů



VÝSTRAHA!

Bezpečnostní pokyn: označuje nebezpečnou situaci, která, pokud se jí nezabrání, může mít za následek smrt nebo vážné zranění.



UPOZORNĚNÍ!

Bezpečnostní pokyn: označuje nebezpečnou situaci, která, pokud se jí nezabrání, může mít za následek lehké nebo středně těžké zranění.



POZOR!

označuje nebezpečnou situaci, která, pokud se jí nezabrání, může mít za následek majetkové škody.



POZNÁMKA

Doplňující informace týkající se obsluhy výrobku.

Bezpečnostní pokyny

Předběžné poznámky

- Před instalací se ujistěte, že jsou místní distribuční podmínky (druh plynu a tlak plynu) a nastavení přístroje kompatibilní.
- Podmínky pro nastavení tohoto přístroje jsou uvedeny na štítku (nebo typovém štítku).
- Tento přístroj není připojen k zařízení pro odvádění zplodin hoření. Musí být nainstalován a připojen podle platných předpisů pro instalaci. Zvláštní pozornost je třeba věnovat příslušným požadavkům týkajícím se větrání.

Základní bezpečnost



VÝSTRAHA! Nedodržení těchto varování by mohlo mít za následek smrt nebo vážné zranění.

Nebezpečí výbuchu

- Opravy tohoto přístroje směřj provádět pouze kvalifikovaní pracovníci. Nesprávně provedené opravy mohou být zdrojem značných rizik.
- Tento přístroj musí být nainstalován v souladu se všemi národními předpisy platnými v zemi použití.
- Tento přístroj smí být používán jen na dobře větraném místě.
- Před instalací nebo použitím tohoto přístroje si přečtete pokyny.
- Přístroj neupravujte.
- Neodstraňujte ani nevyměňujte žádné součásti tohoto přístroje.
- Je-li to vyžadováno národními předpisy, je třeba plynovou hadici vyměnit.

- Přívodní plynovou hadici nekrutíte, nenatahujete, neskřípejte ani jinak nezatěžujete.

Nebezpečí požáru

- Když je přístroj horký nebo se používá, nenechávejte ho bez dozoru.
- Děti musejí být pod dohledem tak, aby si se zařízením nehrály.
- Mějte vždy připravený vhodný hasicí přístroj. Zajistěte, aby hasicí přístroj byl pravidelně kontrolován pověřenou osobou.

Nebezpečí popálení

- Ruce, obličej a vlasy udržujte v bezpečné vzdálenosti od hořáků.
- Při zapalování nebo používání tohoto přístroje nenoste volné oblečení a nemějte dlouhé vlasy volné.
- Děti a domácí mazlíčky udržujte v bezpečné vzdálenosti od spotřebiče.
- Pozorně sledujte veškerou činnost kolem tohoto přístroje, abyste zabránili popálení a jiným úrazům.
- Přístroj během provozu nepřemísťujte.

Nebezpečí ohrožení zdraví

- Tento přístroj mohou používat děti od 8 let a osoby se sníženými fyzickými, smyslovými nebo duševními schopnostmi nebo s nedostatečnými zkušenostmi a znalostmi, pokud jsou pod dohledem nebo obdržely pokyny týkající se používání přístroje bezpečným způsobem a porozuměly souvisejícím nebezpečím.
- Děti musejí být pod dohledem tak, aby si se zařízením nehrály.



UPOZORNĚNÍ! Nedodržení těchto upozornění by mohlo mít za následek lehké nebo střední zranění.

Nebezpečí zranění

- Má-li přístroj skleněné víko, v případě rozbití skleněného víka:
 - Okamžitě vypněte všechny hořáky a všechny elektrické topné články a odpojte přístroj od napájení.
 - Nedotýkejte se povrchu přístroje.
 - Nepoužívejte přístroj.



POZOR! Nebezpečí poškození

- Má-li přístroj skleněné víko:
 - Před zahájením jízdy zavřete skleněné víko přístroje.
 - Před zavřením skleněného víka vypněte všechny hořáky.

Bezpečnost při manipulaci se zkpalným plynem



VÝSTRAHA! Nedodržení těchto varování by mohlo mít za následek smrt nebo vážné zranění.

Nebezpečí výbuchu

- Po použití vždy odpojte láhev se zkpalným plynem.
- Láhev se zkpalným plynem skladujte mimo dosah topných nebo kuchyňských přístrojů a jiných světelných nebo tepelných zdrojů v dobře větraném místě a mimo dosah dětí.
- **Nikdy** neskladujte láhve se zkpalným plynem na nevětraných místech nebo pod úrovní země (nálevkovité prohlubně v zemi).
- **Nikdy** neskladujte láhve se zkpalným plynem v budovách, jako jsou garáže.
- Jakékoli skladování v interiéru musí být v souladu s vnitrostátními předpisy.
- Láhev se zkpalným plynem neukládejte na bok.
- Chraňte láhve se zkpalným plynem před přímým slunečním zářením. Teplota by neměla překročit 50 °C.

Bezpečnost za provozu přístroje



NEBEZPEČÍ! Nedodržení těchto pokynů bude mít za následek smrt nebo vážné zranění.

Nebezpečí otravy oxidem uhelnatým

- Spalováním zkpalného plynu vzniká oxid uhelnatý, který se hromadí uvnitř uzavřených prostor. Spotřebiči používejte jen na dostatečně větraném místě.

Nebezpečí udušení

- Provoz tohoto přístroje s plynem v nevětraném prostoru vede k nedostatku kyslíku v tomto prostoru.

- Příklad nepoužívejte jako topidlo.
- Při používání plynového spotřebiče k přípravě pokrmů se v místnosti, v níž je instalován, uvolňují teplo, vlhkost a spaliny.
 - Zajistěte dobré větrání kuchyně, zvláště když je spotřebič v provozu.
 - Udržujte přirozené větrací otvory otevřené nebo nainstalujte mechanické ventilační zařízení (např. odsavač par).
- Dlouhodobé intenzivní používání zařízení může vyžadovat dodatečné větrání, například otevření okna, nebo účinnější odvětrání, například zvýšení výkonu mechanického ventilátoru tam, kde je instalován.



VÝSTRAHA! Nedodržení těchto varování by mohlo mít za následek smrt nebo vážné zranění.

Nebezpečí výbuchu

- Tento přístroj nepoužívejte, pokud netěsní, je poškozen nebo nefunguje správně.
- Nikdy přístroj nepoužívejte v následujících situacích:
 - na čerpacích stanicích,
 - na trajektech,
 - během transportu karavanu nebo obytného vozidla pomocí přepravního nebo odtahového vozidla.
- V případě požáru vypněte přívod plynu.
- Do blízkosti tohoto přístroje neumísťte chemikálie, hořlavé materiály ani nestříkejte aerosoly.
- Nikdy nekontrolujte úniky plynu otevřeným plamenem.
- V případě, že je cítit plyn:
 - Nepokoušejte se přístroj zapálit.
 - Uhasťte otevřené plameny.
 - Vypněte přívod plynu.
 - Přístroj odpojte od přívodu plynu.
 - Při používání přístroje v interiéru otevřete okna a vyprázdněte vozidlo.
 - Plynovou instalaci nechejte zkontrolovat odbornou firmou.
- Plynovou láhev připojujte a odpojujte venku mimo dosah otevřených plamenů, zapalovacího plamene nebo jiného zdroje zapalení, a to jen když je přístroj na dotek chladný.
- Před použitím plynové láhve zkontrolujte, zda je těsnění mezi tímto přístrojem a plynovou lahví na svém místě a v dobrém stavu.
- Tento přístroj nepoužívejte, jestliže je těsnění poškozené nebo opotřebené.

- Po použití vypněte přívod plynu na plynové nádobě.

Nebezpečí požáru

- Tento přístroj musí být během používání uchovávan mimo dosah hořlavých materiálů.
- Na tento výrobek nepokládejte žádné předměty s výjimkou nádobí, žádné věci o něj ani neopírejte.
- Přístroj neumísťte do blízkosti hořlavých materiálů (papíru, suchého listí, textilu).
- Hořlavé předměty udržujte v bezpečné vzdálenosti od hořáků.
- Rukojeti nádobí umístěte následovně:
 - Nikdy nedovolte, aby rukojeti nádobí přesahovaly přes okraj přístroje.
 - Otočte rukojeti nádobí dovnitř, ale současně tak, aby nebyly nad jinými hořáky.
- Nepřehřívejte tuk nebo olej.
- K manipulaci s horkým nádobím používejte pouze suché chňapky.
- Před odebráním nádobí vypněte spotřebič.
- Tento přístroj používejte, pouze pokud na něj může dohlížet dospělá osoba.

Nebezpečí popálení

- Přístupné části mohou být velmi horké. Malé děti udržujte mimo dosah.



UPOZORNĚNÍ! Nedodržení těchto upozornění by mohlo mít za následek lehké nebo střední zranění.

Nebezpečí popálení

- Při manipulaci s horkými součástmi používejte ochranné rukavice.
- Před dotykem holými rukama nechte přístroj vychladnout.
- Při ručním zapalování hořáku:
 - Používejte dlouhé zápalky nebo vhodný zapalovač.
 - Jakmile se hořák zapálí, rychle od něj odtáhněte ruce.
- Požívání alkoholu nebo užívání léků na předpis či volně prodejných léků může zhoršit vaši schopnost řádně sestavit nebo bezpečně obsluhovat tento přístroj.



POZOR! Nebezpečí poškození

- Nepoužívejte externí časovač nebo systém dálkového ovládaní.

Obsah dodávky

č. na obr. 1, strana 3	Součást	Množství
1	Držák nádobí	1
2	Plech na pečení	1
3	Rošt do trouby	1
4	Varná deska a plynová trouba	1
5	Montážní konzola	2

Cílové skupiny



Montáž a instalaci plynové přípojky musí provést kvalifikovaná osoba, která prokázala dovednosti a znalosti týkající se konstrukce, instalace a provozu plynových zařízení a absolvovala bezpečnostní školení, aby byla schopna určit související nebezpečí a zamezit jim.

Použití v souladu s účelem

Sporák s varnou deskou a plynovou troubou má sloužit k přípravě pokrmů vařením a pečením.

Pouze CU351MK: Tento sporák s varnou deskou a plynovou troubou je navíc určen i ke grilování pokrmů.

Sporák je určen pouze k používání na lodích a na moři. Předpokladem pro použití v uzavřených prostorách je splnění požadavků vyobrazených na obr. 5, strana 7. V situacích se 3 stěnami musí být 30 % celkové plochy stěn otevřených a ničím nepřekrytých.

Sporák s varnou deskou a plynovou troubou **není** určen k použití na otevřených palubách, ve vozídlech nebo v budovách.

Tento výrobek je vhodný pouze k určenému účelu a použití v souladu s tímto návodem.

Tento návod poskytuje informace, které jsou nezbytné pro řádnou instalaci a/nebo provoz výrobku. Nedostatečná instalace a/nebo nesprávný provoz či údržba povedou k neuspokojivému výkonu a možné závadě.

Výrobce nepřijímá žádnou odpovědnost za jakékoli zranění nebo poškození výrobku vyplývající z následujícího:

- Nesprávné sestavení nebo připojení včetně nadměrného napětí
- Nesprávná údržba nebo použití jiných náhradních dílů než původních dílů dodaných výrobcem
- Změna výrobku bez výslovného souhlasu výrobce
- Použití k jiným účelům, než jsou popsány v tomto návodu

Společnost Kampa si vyhrazuje právo změnit vzhled a specifikace výrobku.

Technický popis

Na sporáku s varnou deskou a plynovou troubou lze vařit a péct.

Pouze CU351MK: Tento sporák s varnou deskou a plynovou troubou navíc umožňuje i grilování.

Sporák se připevňuje montážními konzolami a čepem tak, aby spotřebič zůstal na místě i při pohybech způsobených vlnami. Sporák je vybaven držákem nádobí, který fixuje nádobí na varné desce, aby z ní nesklouzávalo při pohybech způsobených vlnami.

Sporák musí být připojen k plynové láhvi.

CU354MK

č. na obr. 2, strana 4	Součást
1	Držák nádobí
2	Knoflík pro nastavení teploty trouby
3	Rošt do trouby

Č.
na obr. **2**,
strana 4

Součást

4	Plech na pečení
5	Dvířka trouby
6	Knoflík pro nastavení pravého hořáku
7	Knoflík pro nastavení levého hořáku

CU351MK

Č.
na obr. **3**,
strana 5

Součást

1	Držák nádobí
2	Knoflík pro nastavení teploty trouby
3	Knoflík pro nastavení teploty grilu
4	Gril
5	Plech na pečení
6	Rošt do trouby
7	Dvířka trouby
8	Knoflík pro nastavení pravého hořáku
9	Knoflík pro nastavení levého hořáku

Knoflíky pro nastavení teploty

Teplotu v troubě a velikost plamene hořáků lze regulovat (obr. **4**, strana 6).

Teplotní rozsahy trouby

Pozice	1	2	3
Teplota	130 °C	160 °C	180 °C

Pozice	4	5	6
Teplota	200 °C	220 °C	240 °C

Montáž



VÝSTRAHA! Nebezpečí výbuchu

- Před instalací sporáku se ujistěte, že kvalita a tlak plynu i regulátory přívodu plynu jsou kompatibilní s příslušnou varnou deskou a plynovou troubou. Dodržujte specifikace týkající se regulace plynu pro varnou desku a plynovou troubu uvedené na výrobním štítku a také specifikace v kapitole kap. „Technické údaje“ na straně 166.
- Sporák není určen pro připojení k digestoři. Varnou desku a plynovou troubu instalujte v souladu s platnými instalačními předpisy.

Výběr místa instalace

Při výběru místa pro instalaci varné desky a plynové trouby se řiďte následujícími pokyny:

- Sporák umístěte venku nebo v uzavřeném prostoru, který splňuje požadavky uvedené na obr. **5**, strana 7.
- Místo musí být dobře větrané.
- Sporák neumísťujte do prohlubní, aby se v nich nehromadily plyny.
- Varnou desku a plynovou troubu chraňte před větrem a průvanem.
- Podklad musí být pevný, rovný a stabilní.
- Plášť a grilovací komora se během provozu velmi zahřívají. Sporák s varnou deskou a plynovou troubou musí stát na podstavci, který odolá teplotě nejméně 80 °C.

Připojení k plynové láhvi

Sporák s varnou deskou a plynovou troubou se provozuje s běžnými plynovými lahvemi dostupnými v zemi, kde se spotřebič používá (obr. **6**, strana 8).

Plynová láhev musí splňovat následující podmínky:

- Plynová láhev musí být vždy umístěna v prostoru pro ni určeném.
- Plynová láhev musí být vždy umístěna ve svislé poloze.

- Plynová láhev musí být vybavena snadno přístupným a ničím nezakrytým regulátorem tlaku.

Přívod plynu připojený ke spotřebiči musí být vyroben z pevného kovového potrubí s utěsněnými spoji. Pokud se používá flexibilní hadice, musí být splněny následující podmínky:

- Hadice musí být snadno přístupná ke kontrole.
- Hadice musí být chráněna před kontaktem s jinými částmi, které se zahřívají.
- Hadice musí být chráněna před poškozením.
- Hadice musí být chráněna před přiskřípnutím pohyblivými částmi, například zásuvkami.
- Hadice nesmí být delší než 1,5 m.
- Hadici je nutné vyměnit před uplynutím doby použitelnosti.

1. Připojte trubku nebo hadici plynové lahve k varné desce a plynové troubě (obr. **7** až obr. **8**, strana 9).

Hadici je třeba utáhnout vhodným nástrojem, například nastavitelným klíčem, aby se zajistilo plynotěsné připojení.

2. Zkontrolujte těsnost plynové hadice nebo potrubí pomocí pěnového prostředku, například mýdlového roztoku.



VÝSTRAHA! Nebezpečí výbuchu

Ke kontrole těsnosti přívodu plynu nepoužívejte plamen ani korozivní kapalinu.

Montáž varné desky a plynové trouby

1. Zachovejte dostatečnou vzdálenost od stěn a ostatních skříněk (viz obr. **9**, strana 10).
2. Proveďte montáž varné desky a plynové trouby dle vyobrazení obr. **10** až obr. **11**, strana 11.

Obsluha



VÝSTRAHA! Nebezpečí výbuchu

- Hořáky zapalte ihned po zapnutí přívodu plynu. V opačném případě by se mohl v prostoru hořáků nahromadit plyn, který by mohl způsobit výbuch.
- Celý proces zapalování musí být viditelný shora a nesmí být zakrytý nádobí umístěným na varné desce.



POZOR! Nebezpečí poškození

Pouze CU351MK: Gril nepoužívejte déle než 25 minut.



POZNÁMKA

- Během provozu varné desky a plynové trouby je slyšet tiché syčení, způsobené prouděním plynu.
- Při prvním použití varné desky a plynové trouby se může objevit kouř. Toto kouření je způsobeno hořením usazeného strojního oleje a ustane přibližně po 10 minutách.
- **Pouze CU351MK:** Gril nelze používat jako troubu.
- Při spalování propanu (G31) je plamen modrý bez žlutých vrcholů.
- Při použití butanu (G30) je plamen po zapálení modrý se žlutými špičkami. Žluté vrcholy plamene jsou intenzivnější, když se hořák zahřívá.

Zapálení hořáků

- Zapalte varnou desku dle vyobrazení obr. **12** (1) strana 12 a obr. **13**, strana 13.
- **Pouze CU351MK:** Zapalte gril dle vyobrazení obr. **12** (2) strana 12 a obr. **14**, strana 14.
- Zapalte troubu dle vyobrazení obr. **12** (3) strana 12 a obr. **15**, strana 15.

Regulace hořáků



POZOR! Nebezpečí poškození

Dbejte na to, aby se pečicí plech, rošt trouby ani nádoby nedostaly do kontaktu s plameny uvnitř trouby.



POZNÁMKA

- Po prvním zapálení nechte troubu zahřívát na nejvyšší teplotu alespoň 30 minut, než ji začnete regulovat.
 - Po prvním zapálení varné desky nastavte příslušný hořák varné desky na 15 – 20 minut na největší plamen, než si jej zregulujete.
- Nastavte příslušný regulátor na požadovanou teplotu nebo velikost plamene (viz kap. „Knoflíky pro nastavení teploty“ na strani 161 a kap. „Teplotní rozsahy trouby“ na strani 161).

- ✓ Po zapálení hořáku trouby zůstane tento hořet na největší plamen. Jakmile trouba dosáhne nastavené teploty, plamen se automaticky stáhne.

Používání varné desky



VÝSTRAHA! Nebezpečí požáru

Plamen nesmí přesahovat okraj nádobí. Nádobí vycentrujte nad hořák a pomocí podpěry nádobí jej bezpečně postavte.

- Dbejte na používání vhodného nádobí. Zohledněte průměr hořáku varné desky a průměr nádobí:

Průměr hořáku varné desky	Průměr nádobí
Ø 62 mm	16 – 22 cm
Ø 77 mm	16 – 22 cm

- Zajistěte nádobí v držáku pomocí knoflíků na držáku nádobí (viz obr. **16**, strana 16).

Používání grilu (pouze model CU351MK)



UPOZORNĚNÍ! Nebezpečí popálení

- Vytáhněte tepelný štít, který chrání knoflíky před zahříváním grilem.
- Tepelný štít je při provozu grilu i po něm velmi horký. Při manipulaci s tepelným štítem používejte ochranné rukavice.

- Tepelný štít používejte tak, jak ukazuje obr. **17**, strana 16.

Vypnutí varné desky a plynové trouby

- Varnou desku a plynovou troubu vypněte dle vyobrazení obr. **18**, strana 17.

Úspora energie

- Po použití varnou desku a plynovou troubu vypněte (viz kap. „Vypnutí varné desky a plynové trouby“ na strani 163).
- Při používání trouby mějte dvířka trouby zavřená.

Čištění a péče



VÝSTRAHA! Nebezpečí výbuchu

Ke kontrole těsnosti přívodu plynu nepoužívejte plamen ani korozivní kapalinu.



UPOZORNĚNÍ! Nebezpečí popálení

Varná deska a plynová trouba jsou během provozu a po něm velmi horké. Vypněte varnou desku a plynovou troubu. Před čištěním, balením nebo přípravou nechte varnou desku a plynovou troubu vychladnout.



POZOR! Nebezpečí poškození

- K čištění varné desky a plynové trouby nepoužívejte abrazivní, korozivní, chlorované a hrubé čisticí prostředky nebo kartáče.
- Nepoužívejte parní čističe.
- K čištění plynového rozvodu nepoužívejte stlačený vzduch.
- Z varné desky a plynové trouby odstraňujte ocet, soli, kyselinu citronovou nebo jiné kyselé či zásadité látky.

- Varnou desku a plynovou troubu čistěte vlhkým hadříkem s použitím neutrálních čisticích prostředků (obr. **19**, strana 17).

- Hořák trouby čistěte vodou podle vyobrazení na obr. **20**, strana 18.

- Chcete-li vyčistit nebo vyměnit plynové vstřikovače, obraťte se na autorizované servisní středisko.

Údržba hořáků



VÝSTRAHA! Nebezpečí požáru

Může se stát, že si uvnitř hořáků budou spřádat sítě pavouci nebo si v nich může stavět hnízda hmyz. Pavučiny a hnízda mohou bránit průtoku plynu a způsobit požár. Odstraňujte proto veškerý hmyz, pavouky, hnízda nebo pavučiny zevnitř hořáku.

1. Hořáky dvakrát měsíčně kontrolujte, zda v nich nejsou pavučiny a hnízda.
2. V případě potřeby odstraňte hmyz, pavouky, hnízda a pavučiny zevnitř hořáku.

Výměna plynové láhve



VÝSTRAHA! Nebezpečí ohrožení zdraví

- Plynovou láhev vyměňujte na dobře větraném místě.
- Ujistěte se, že se v daném prostoru nenachází otevřený oheň.
- Výměnu plynové láhve provádějte pouze při vypnuté varné desce i plynové troubě.

1. Zavřete ventil na plynové láhvi.
2. Odšroubujte regulátor z plynové láhve.
3. Pokud je použita plynová hadice, ujistěte se, že není vadná.
4. Pokud je to potřebné, hadici vyměňte (viz kap. „Výměna hadice“ na stranì 164).
5. Ručně našroubujte regulátor na novou plynovou láhev.

Výměna hadice



VÝSTRAHA! Nebezpečí ohrožení zdraví

- Hadici vyměňujte na dobře větraném místě.
- Ujistěte se, že se v daném prostoru nenachází otevřený oheň.
- Výměnu hadice provádějte pouze při vypnuté varné desce i plynové troubě.

1. Zavřete ventil na plynové láhvi.
2. Odšroubujte regulátor z plynové láhve.
3. Vyměňte plynovou hadici.
4. Ručně našroubujte regulátor na plynovou láhev.
5. Zkontrolujte těsnost plynové hadice pomocí pěnového prostředku, například mýdlového roztoku.

Skladování



VÝSTRAHA! Nebezpečí popálení

Varná deska a plynová trouba jsou během provozu a po něm velmi horké. Vypněte varnou desku a plynovou troubu. Před zabalením nebo přepravou nechte varnou desku a plynovou troubu vychladnout.

1. Zavřete ventil na plynové láhvi.
2. Čištění varné desky a plynové trouby (viz kap. „Čištění a péče“ na stranì 163.)

Odstraňování poruch a závad

Porucha	Možná příčina	Náprava
Nelze zapálit hořák.	Je použit nesprávný plyn.	<ul style="list-style-type: none">▶ Zajistěte dostatečné množství správného plynu. Dodržujte specifikace týkající se regulace plynu pro varnou desku a plynovou troubu uvedené na výrobním štítku a také specifikace v kapitole kap. „Technické údaje“ na strani 166.▶ Když je to potřebné, vyměňte plynovou láhev (viz kap. „Výměna plynové láhve“ na strani 164).
	Plynová láhev je prázdná.	<ul style="list-style-type: none">▶ Vyměňte plynovou láhev (viz kap. „Výměna plynové láhve“ na strani 164).
	Hadice je vadná.	<ul style="list-style-type: none">▶ Vyměňte hadici (viz kap. „Výměna hadice“ na strani 164).
	Došlo k poruše nebo špatnému připojení.	<ul style="list-style-type: none">▶ Znovu připojte trubku nebo hadici (kap. „Připojení k plynové láhvi“ na strani 161).▶ V případě potřeby vypněte přívod plynu a kontaktujte autorizovaný servis.
	Vadný termočlánek.	<ul style="list-style-type: none">▶ Vypněte přívod plynu a kontaktujte autorizovaný servis.
	Varná deska a plynová trouba je vadná.	
Hořáky varné desky se nezapalují.	Nedochází k jiskření.	<ul style="list-style-type: none">▶ Nastavte příslušný knoflík hořáku varné desky na nejnižší úroveň a zapněte hořák varné desky (viz kap. „Zapálení hořáků“ na strani 162).
Nelze zapálit troubu.	Nedochází k jiskření.	<ul style="list-style-type: none">▶ Vypněte troubu na 1 minutu.▶ Zapněte troubu (viz kap. „Regulace hořáků“ na strani 162).
Pouze CU351MK: Nelze zapálit gril.	Nedochází k jiskření.	<ul style="list-style-type: none">▶ Vypněte gril na 1 minutu.▶ Zapněte gril (viz kap. „Používání varné desky“ na strani 163).

Záruka

Na výrobek je poskytována záruka v souladu s platnými zákony. Pokud je výrobek vadný, obraťte se na svého prodejce nebo na pobočku výrobce ve vaší zemi (viz dometic.com/dealer).

K vyřízení opravy a záruky nezapomeňte spolu s výrobkem odeslat následující dokumenty:

- Kopii účtenky s datem zakoupení,
- Uvedení důvodu reklamace nebo popisu vady.

Upozorňujeme, že oprava svépomocí nebo neodborná oprava může ohrozit bezpečnost a vést ke ztrátě záruky.

Likvidace



- Obalový materiál likvidujte v odpadu určeném k recyklaci.
- Informace o likvidaci výrobku v souladu s platnými předpisy pro likvidaci vám sdělí místní recyklační středisko nebo specializovaný prodejce.

Technické údaje

	CU351MK	CU354MK
Celkový jmenovitý výkon	6,4 kW, 466 g/h	5,1 kW, 371 g/h
Jmenovitý výkon trouby	1,1 kW, 89 g/h	
Jmenovitý výkon grilu	1,3 kW, 95 g/h	–
Jmenovitý výkon varné desky		
Levý hořák	2,2 kW, 160 g/h	
Pravý hořák	1,8 kW, 131 g/h	
Objem vzduchu pro spalování	12,8 m ³ /h	10,2 m ³ /h
Připojovací tlak	obr. 6 , strana 8	
Rozměry (V x Š x H)	508 × 450 × 358 mm	398 × 449 × 357 mm
Hmotnost	18,50 kg	15,50 kg
Rozměr hořáků varné desky		
Levý hořák	Ø 62 mm	
Pravý hořák	Ø 70 mm	
Certifikace		

A termék mindenkor szakszerű telepítése, használata és karbantartása érdekében kérjük figyelmesen olvassa el az ebben a termék kézikönyvben található utasításokat, irányelveket és figyelmeztetéseket, valamint mindig tartsa be ezeket. Ezt az útmutatót a termék közelében KELL tartani.

A termék használatba vételével Ön kijelenti hogy figyelmesen elolvasta az összes utasítást, irányelvet és figyelmeztetést, valamint megértette és elfogadja az itt leírt szerződési feltételeket. Ön elfogadja, hogy kizárólag a rendeltetésének megfelelő célra és a jelen termék kézikönyvben leírt útmutatásoknak, irányelveknek és figyelmeztetéseknek, valamint a hatályos törvényeknek és szabályozásoknak megfelelően használja ezt a terméket. Az itt leírt utasítások és figyelmeztetések elolvasásának és betartásának elmulasztása saját és mások sérüléséhez, a termék vagy a közelben található más anyagjávak károsodásához vezethet. Ez a termék kézikönyv és a benne található utasítások, irányelvek és figyelmeztetések, valamint a kapcsolódó dokumentációk módosulhatnak és frissülhetnek. Naprakész termékinformációk érdekében kérjük látogasson el a következő honlapra: documents.dometic.com.



FIGYELEM!

Olyan helyzetet jelöl, amely vagyoni kárt okozhat, ha nem kerülik el.



MEGJEGYZÉS

A termék kezelésére vonatkozó kiegészítő információk.

Biztonsági útmutatások

Előzetes megjegyzések

- Beszerelés előtt ellenőrizze, hogy a helyi szolgáltatói feltételek (gáztípus és gáznyomás) és a készülék beállításai kompatibilisek-e.
- Ennek a készüléknek a beállítási feltételei a címkén (vagy a típuscímkén) vannak felsorolva.
- A készülék nem rendelkezik égéstermék elvezetési funkcióval. A készüléket a hatályos beszerelési szabályozásoknak megfelelően telepítse és csatlakoztassa. Különösen ügyeljen a vonatkozó szellőzési követelményekre.

Alapvető biztonság



FIGYELMEZTETÉS! Ezeknek a figyelmeztetéseknek a figyelmen kívül hagyása súlyos, vagy halálos sérüléshez vezethet.

Robbanásveszély

- Javításokat csak szakemberek végezhetnek a készüléken. A szakszerűtlen javítások jelentős veszélyeket okozhatnak.
- A készüléket a felhasználási országban érvényben lévő szabályozásoknak megfelelően kell telepíteni.
- Ezt a készüléket csak megfelelően szellőztetett helyiségben szabad használni.
- A készülék beszerelése előtt olvassa el az útmutatásokat.
- Ne módosítsa a készüléket.
- A készülék egyik alkatrészét se távolítsa el illetve ne cserélje ki.
- Ha az országos szabályozások ezt előírják, akkor ki kell cserélni a gáztömlőt.
- Ne csavarja, ne nyújtsa, ne csípje be, és ne terhelje más módon a gázellátó tömlőt.

Tűzveszély

- Használat közben soha ne hagyja felügyelet nélkül ezt a készüléket.

Tartalom

Szimbólumok magyarázata	167
Biztonsági útmutatások	167
A csomag tartalma	170
Célcsoportok	170
Rendeltetésszerű használat	170
Műszaki leírás	170
Szerelés	171
Üzemeltetés	172
Energiatakarékosság	173
Tisztítás és karbantartás	173
Tárolás	174
Hibakeresés	175
Szavatosság	175
Ártalmatlanítás	176
Műszaki adatok	176

Szimbólumok magyarázata



FIGYELMEZTETÉS!

Biztonsági útmutatás: veszélyes helyzetet jelöl, amely súlyos sérülést vagy halált okozhat, ha nem kerülik el.



VIGYÁZAT!

Biztonsági útmutatás: veszélyes helyzetet jelöl, amely könnyű vagy mérsékelt sérülést okozhat, ha nem kerülik el.

- A gyermekeket felügyelni kell annak érdekében, hogy ne játsszanak a készülékkel.
- Tartson kéznél egy megfelelő tűzoltó készüléket.
Gondoskodjon arról, hogy a tűzoltó készüléket szakképzett személyzet rendszeres időközönként ellenőrizze.

Égési sérülés veszélye

- Kezét, arcát és haját tartsa távol az égőfejektől.
- A készülék meggyújtása vagy használata során ne viseljen a testtől elálló ruházatot és szabadon lelógó frizurát.
- Tartsa távol a gyermekeket és a háziállatokat.
- Az égési és egyéb sérülések megelőzése érdekében gondosan felügyelje az összes tevékenységet a készülék körül.
- Üzemeltetés közben nem mozgassa a készüléket.

Égésveszély

- A készüléket 8 év feletti gyermekek, valamint korlátozott fizikai, érzékelési és mentális képességű, illetve megfelelő tapasztalattal és tudással nem rendelkező személyek csak felügyelet mellett, illetve a készülék biztonságos használatát és az abból eredő veszélyeket megértve használhatják.
- A gyermekeket felügyelni kell annak érdekében, hogy ne játsszanak a készülékkel.



VIGYÁZAT! Ezeknek a felhívásoknak a figyelmen kívül hagyása könnyű vagy mérsékelt sérüléshez vezethet.

Sérülésveszély

- Ha a készülék üvegfedéllel rendelkezik, az üvegfedél betörése esetén:
 - Azonnal zárja el az összes égőfejet és az összes elektromos fűtőelemet és válassza le a készüléket az áramellátásról.
 - Ne érintse meg a készülék felületét.
 - Ne használja a készüléket.



FIGYELEM! Károsodás veszélye

- Ha a készülék üvegfedéllel rendelkezik:
 - Az induláskor csukja le az üvegfedeleket.
 - Az üvegfedél lecsukása előtt zárja el az összes égőfejet.

Folyékony gáz kezelésére vonatkozó biztonsági óvintézkedések



FIGYELMEZTETÉS! Ezeknek a figyelmeztetéseknek a figyelmen kívül hagyása súlyos, vagy halálos sérüléshez vezethet.

Robbanásveszély

- Használat után mindig válassza le a folyékony gázt tartalmazó palackot.
- A folyékony gázt tartalmazó palackokat mindig fűtő-, vagy főzőberendezésektől és más szikra-, vagy hőforrásoktól elzárva, jól szellőző területen, gyermekektől elzárva tárolja.
- **Soha** ne tárolja a folyékony gázt tartalmazó palackokat szellőzés nélküli helyeken vagy a talajszint alatt (tölcsérszerű bemélyedésekben).
- **Soha** ne tárolja a folyékony gázt tartalmazó palackokat épületekben, például garázsban.
- Minden beltéri tárolás az országos szabályozásoknak megfelelően kell hogy történjen.
- Ne tárolja a folyékony gázt tartalmazó palackokat az oldalukra fektetve.
- Védje a folyékonygáz palackokat a közvetlen napsugárzástól. A hőmérséklet ne haladja meg az 50 °C-ot.

Biztonság a készülék üzemeltetése során



VESZÉLY! Ezeknek az útmutatásoknak a figyelmen kívül hagyása súlyos vagy halálos sérüléshez vezet.

Szénmonoxid mérgezés veszélye

- A folyékony gáz égése során szénmonoxid keletkezik, amely a zárt helyiségekben felhalmozódik.
Csak megfelelő szellőzés mellett használja ezt a készüléket.

Fulladásveszély

- Ha rosszul szellőző helyeken üzemelteti ezt a készüléket, az oxigénhiányt okozhat az adott területen.
- A készüléket tilos fűtőkészülékként használni.

- A gázüzemű főzőkészülék használata hő, nedvesség és égéstermékek keletkezésével jár abban a helyiségben, ahol a készüléket elhelyezték.
 - Gondoskodjon a konyha megfelelő szellőztetéséről, különösen akkor, ha a készülék használatban van.
 - Hagyja nyitva a természetes szellőzőnyílásokat, vagy szereljen fel mechanikus szellőzőberendezést (pl. mechanikus páraelszívót).
- A készülék hosszabb ideig tartó intenzív használata további szellőztetést, például ablaknyitást, vagy hatékonyabb szellőztetést, például a gépi szellőztetés szintjének növelését igényelheti, ha van ilyen.



FIGYELMEZTETÉS! Ezeknek a figyelmeztetéseknek a figyelmen kívül hagyása súlyos, vagy halálos sérüléshez vezethet.

Robbanásveszély

- Ha a készülék szivárog, meghibásodott, vagy nem működik megfelelően, akkor ne használja azt.
- Soha ne használja a készüléket a következő helyzetekben:
 - Benzinkutakon
 - Kompokon
 - A lakóautó, vagy lakókocsi trélerrel, vagy vontatójarmúval történő szállítása közben
- Tűz esetén zárja el a gázellátást.
- A készülék mellé ne helyezzen vegyszereket, tűzveszélyes anyagokat, vagy aeroszol sprayket.
- Soha ne ellenőrizze a termék gázszivárgását nyílt lánggal.
- Gázszag esetén:
 - Ne kísérelje meg begyűjtani ezt a készüléket.
 - Oltson el minden nyílt lángot.
 - Zárja el a gázellátást.
 - Válassza le a készüléket a gázellátásról.
 - Ha a készüléket beltérben használja, nyissa ki az ablakokat, és űrtse ki a járművet.
 - Egy szakértő vállalattal ellenőriztesse a gázberendezést.
- A gázpalackot csak kültéren, nyílt lángtól, őr lángtól, vagy más gyújtóforrástól távol csatlakoztassa, vagy válassza le, és csak akkor ha a készülék már kihűlt.
- A gáztartály használata előtt ellenőrizze, hogy a készülék és a gáztartály közötti tömítés a helyén van-e és megfelelő állapotú-e.

- Ha a tömítés elhasználódott vagy sérült, akkor ne használja a készüléket.
- Használat után zárja el a gázellátást a gázpalacknál.

Tűzveszély

- A készülék használata során a tűzveszélyes anyagokat tartsa távol.
- A főzőedényeken kívül más tárgyakat ne helyezzen a készülékre.
- Ne helyezze a készüléket gyúlékony anyagok (papír, száraz levelek, textíliák) közelébe.
- A gyúlékony tárgyakat tartsa távol az égőfejtől.
- A főzőedények fogantyúit az alábbiak szerint helyezze el:
 - Soha ne hagyja a főzőedények fogantyúit vagy a serpenyők nyelét a készüléken túlnyúlni.
 - Forgassa befelé a főzőlap fogantyúit úgy, hogy azok ne legyenek a másik égő felett.
- Ne forralja fel túlságosan a zsírt vagy az olajat.
- Csak száraz edénytartót használjon a forró főzőedények kezeléséhez.
- A főzőedény vagy a serpenyő levétele előtt kapcsolja ki a készüléket.
- A készüléket csak felnőtt felügyelet mellett üzemeltesse.

Égési sérülés veszélye

- A hozzáférhető részek nagyon forróak lehetnek. A kisgyermeket tartsuk távol tőle.



VIGYÁZAT! Ezeknek a felhívásoknak a figyelmen kívül hagyása könnyű vagy mérsékelt sérüléshez vezethet.

Égési sérülés veszélye

- A forró alkatrészek kezelésekor használjon védőkesztyűt.
- Puszta kézzel történő megérintés előtt hagyja lehűlni a készüléket.
- Ha az égőt kézzel gyújtja be:
 - Használjon hosszú gyufát vagy megfelelő öngyújtót.
 - Az égőfej begyulladásakor gyorsan húzza vissza a kezét.
- Az alkohol, a vényköteles és nem vényköteles gyógyszerek hatása csökkentheti a készülék helyes összeszerelésének, vagy üzemeltetésének képességét.



FIGYELEM! Károsodás veszélye

- Ne használjon külső időzítőt vagy távirányító rendszert.

A csomag tartalma

Számok- katlásd: 1. ábra Szerkezeti elem , 3. oldal		Mennyi- ség
1	Főzőedénytartó	1
2	Sütőlap	1
3	Sütőrács	1
4	Főzőlap és gázsütő	1
5	Felszerelő konzol	2

Célcsoportok



A gázcsatlakozás összeszerelését és telepítését olyan szakképzett személynek kell elvégeznie, aki bizonyítottan rendelkezik a gázkészülékek építésével, telepítésével és üzemeltetésével kapcsolatos készségekkel és ismeretekkel, és az ezzel járó veszélyek felismerése és elkerülése érdekében biztonsági képzésben részesült.

Rendeltetésszerű használat

A főzőlap és a gázsütő ételek főzésére és sütésére alkalmas.

Csak CU351MK: A főzőlap és a gázsütő emellett ételek grillezésére is alkalmas.

A főzőlap és a gázsütő kizárólag hajókon és vízi járműveken történő használatra alkalmas. Zárt helyiségekben történő használat esetén meg kell felelni az **5.** ábra, 7. oldal helyen feltüntetett követelményeknek. A 3 falból álló esetekben a teljes falfelület 30 %-ának nyitottnak és szabadnak kell lennie.

A főzőlap és a gázsütő **nem** használható fedélzeten, járművekben vagy épületekben.

Ez a termék az itt leírt utasításoknak megfelelő rendeltetésszerű használatra alkalmas.

Ez a kézikönyv olyan információkat nyújt, amelyek a termék szakszerű telepítéséhez és/vagy üzemeltetéséhez szükségesek. A hibás telepítés és/vagy a szakszerűtlen üzemeltetés vagy karbantartás elégtelen teljesítményhez és potenciálisan meghibásodáshoz vezethet.

A gyártó nem vállal felelősséget a termék olyan károsodásáért, vagy sérülésekért, amelyek a következőkre vezethetők vissza:

- Hibás összeszerelés vagy csatlakoztatás, ideértve a túlfeszültséget is
 - Helytelen karbantartás, vagy a gyártó által szállított eredeti cserealkatrészekről eltérő cserealkatrészek használata
 - A termék kifejezett gyártói engedély nélküli módosítása
 - Az útmutatóban leírt céloktól eltérő felhasználás
- A Kampa fenntartja a termék megjelenésének és specifikációjának módosítására vonatkozó jogát.

Műszaki leírás

A főzőlap és a gázsütő főzésre és sütésre alkalmas.

Csak CU351MK: A főzőlap és a gázsütő emellett grillezni is tud.

A főzőlap és a gázsütő rögzítőelemekkel és egy csapszeggel van rögzítve, amelyek biztosítják, hogy a készülék a hullámok által keltett mozgások során a helyén maradjon. A készülék egy főzőedénytartóval van felszerelve, amely biztosítja, hogy a főzőedények stabilan álljanak a főzőlapon, és ne csúszzanak el a hullámok által keltett mozgások miatt.

A főzőlapot és a gázsütőt gázpalackhoz kell csatlakoztatni.

CU354MK

Számokat lásd: 2. ábra, 4. oldal	Szerkezeti elem
1	Főzőedénytartó
2	Sütő hőmérséklet gomb
3	Sütőrács
4	Sütőlap
5	Sütő ajtó
6	Jobb oldali főzőlap égőfej hőmérséklet-szabályzó gombja
7	Bal oldali főzőlap égőfej hőmérsékletszabályzó gombja

CU351MK

Számokat lásd: 3. ábra, 5. oldal	Szerkezeti elem
1	Főzőedénytartó
2	Sütő hőmérséklet gomb
3	Grill hőmérséklet gomb
4	Grill
5	Sütőlap
6	Sütőrács
7	Sütő ajtó
8	Jobb oldali főzőlap égőfej hőmérséklet-szabályzó gombja
9	Bal oldali főzőlap égőfej hőmérsékletszabályzó gombja

Hőmérséklet gombok

A sütő hőmérséklete és az égőfejek lángjának mérete szabályozható (**4.** ábra, 6. oldal).

Sütő hőmérséklet tartományok

Helyzet	1	2	3
Hőmérséklet	130 °C	160 °C	180 °C

Helyzet	4	5	6
Hőmérséklet	200 °C	220 °C	240 °C

Szerelés



FIGYELMEZTETÉS! Robbanásveszély

- A főzőlap és a gázsütő beszerelése előtt biztosítsa, hogy a gáz minősége és nyomása, valamint a gázellátás szabályozói kompatibilisek legyenek a főzőlappal és a gázsütővel. Tartsa be a főzőlapra és a gázsütőre vonatkozó gázszabályozási előírásokat az adattáblán és a specifikációkat itt: „Műszaki adatok” fejl., 176. oldal.
- A főzőlap és a gázsütő nincs csatlakoztatva füstelvezetőhöz. A főzőlapot és a gázsütőt a vonatkozó telepítési előírásoknak megfelelően telepítse.

Telepítési hely meghatározása

A főzőlap és a gázsütő felállítási helyének kiválasztásakor vegye figyelembe a következő útmutatásokat:

- A főzőlapot és a gázsütőt a szabadban vagy olyan zárt térben helyezze el, amely megfelel a **5.** ábra, 7. oldal helyen bemutatott követelményeknek.
- A helynek jól kell szellőzőnek kell lennie.
- A gázok felhalmozódásának elkerülése érdekében ne helyezze mélyebben fekvő helyre a terméket.
- Védje a főzőlapot és a gázsütőt a szélről és a közvetlen huzattól.
- A talajnak szilárdnak, síknak és stabilnak kell lennie.

- A készülékház és a grillszekrény üzem közben nagyon felforrósodik. A főzőlapnak és a gázsütőnek olyan alapon kell állnia, amely legalább 80 °C-os hőt elvisel.

Csatlakoztatás gázpalackhoz

A főzőlap és a gázsütő a használat országában kereskedelmi forgalomban kapható gázpalackokkal működik (6. ábra, 8. oldal).

A gázpalacknak a következő feltételeknek kell megfelelnie:

- A gázpalackot mindig az erre szolgáló rekeszben kell elhelyezni.
- A gázpalackot mindig függőlegesen kell elhelyezni.
- A gázpalackot könnyen hozzáférhető és nem lefedett nyomásszabályozóval kell ellátni.

A készülékhez csatlakoztatott gázellátásnak merev fémcsőnek kell lennie, tömített csatlakozásokkal. Rugalmas tömlő használata esetén a következő feltételeknek kell teljesülniük:

- A tömlőnek ellenőrzés céljából könnyen hozzáférhetőnek kell lennie.
- A tömlőt védeni kell más, felhevülő alkatrészekkel történő érintkezéstől.
- A tömlőt védeni kell a sérülésektől.
- A tömlőt meg kell védeni a mozgó alkatrészek, például fiókok általi becsípéstől.
- A tömlő nem lehet 1,5 m-nél hosszabb.
- A tömlőt a lejárati ideje előtt ki kell cserélni.

1. Csatlakoztassa a gázpalack csövét vagy tömlőjét a főzőlaphoz és a gázsütőhöz (7. ábra - 8. ábra, 9. oldal).

A gáztömítettség érdekében a tömlőt egy megfelelő, például állítható csavarkulccsal kell meghúzni.

2. Ellenőrizze a gáztömlő vagy cső szivárgását egy habosító szerrel, pl. szappannal.



FIGYELMEZTETÉS! Robbanásveszély

Ne használjon lángot vagy maró folyadékot a gázvezeték szivárgásellenőrzéséhez.

A főzőlap és a gázsütő felszerelése

1. Biztosítson elegendő távolságot a falaktól és más szekrényektől (lásd: 9. ábra, 10. oldal).
2. A főzőlapot és a gázsütőt a 10. ábra - 11. ábra, 11. oldal. ábrán látható módon szerelje fel.

Üzemeltetés



FIGYELMEZTETÉS! Robbanásveszély

- Amint a gázellátást bekapcsolja, gyújtsa be az égőfejeket. Ellenkező esetben gáz gyűlhet össze az égőfej területén és robbanást okozhat.
- A teljes begyújtási műveletnek látszania kell felülről és nem takarhatják el a főzőlapra helyezett edények.



FIGYELEM! Károsodás veszélye

Csak CU351MK: 25 percnél hosszabb ideig tilos használni a grillezőt.



MEGJEGYZÉS

- A főzőlap és a gázsütő működése közben halk zaj hallható, amelyet a kijutó gáz okoz.
- A főzőlap és a gázsütő első használatakor füst keletkezhet. Ezt a gépolaj lerakódásainak égése okozza, és kb. 10 perc után megszűnik.
- **Csak CU351MK:** A grillezőt nem szabad sütőként használni.
- Propángáz (G31) használatakor a láng kék színű, sárga csúcsok nélkülül.
- Butángáz (G30) használatakor a láng kék színű, begyújtáskor sárga csúcsokkal. Amikor az égőfej felforrósodik, a sárga csúcsok intenzívebbé válnak.

Égőfejek begyújtása

- Az itt látható módon gyújtsa be a főzőlapot 12. ábra (1) 12. oldal és 13. ábra, 13. oldal.
- **Csak CU351MK:** Az itt látható módon gyújtsa be a grillezőt 12. ábra (2) 12. oldal és 14. ábra, 14. oldal.
- Az itt látható módon gyújtsa be a sütőt 12. ábra (3) 12. oldal és 15. ábra, 15. oldal.

Az égőfejek szabályozása



FIGYELEM! Károsodás veszélye

Ügyeljen arra, hogy a sütőlap, a sütőrács és a főzőedények ne érintkezzenek a sütőben lévő lángokkal.



MEGJEGYZÉS

- A sütő első begyújtása után a sütőt legálább 30 percig hagyja a legmagasabb hőmérsékleten, mielőtt szabályozná azt.
- A főzőlap első begyújtása után hagyja a megfelelő főzőlángot a legnagyobb lángon 15 – 20 percig, mielőtt szabályozná azt.

- ▶ Állítsa a megfelelő hőmérséklet-szabályozót a kívánt hőmérsékletre vagy lángméretre (lásd: „Hőmérséklet gombok” fejj., 171. oldal és „Sütő hőmérséklet tartományok” fejj., 171. oldal).
- ✓ A sütő égőjének begyújtásakor a láng a legnagyobb szinten marad. Amikor a sütő eléri a beállított hőmérsékletet, a láng automatikusan visszaáll a kisebb lángméretre.

A főzőlap használata



FIGYELMEZTETÉS! Tűzveszély

A láng ne nyúljon túl a főzőedény peremén. Helyezze a főzőedényt az égőfej fölé középre, és a főzőedénytartó segítségével biztosítsa a stabilitást.

- ▶ Ügyeljen arra, hogy megfelelő főzőedényeket használjon. Vegye figyelembe a főzőlap égőfejének és a főzőedények átmérőjét:

Főzőlap égőfejének átmérője	Edény átmérője
Ø 62 mm	16 – 22 cm
Ø 77 mm	16 – 22 cm

- ▶ Rögzítse a főzőedényt a főzőedénytartón lévő gombok segítségével a főzőedénytartón (lásd: **16.** ábra, 16. oldal).

A grill használata (csak CU351MK)



VIGYÁZAT! Égési sérülés veszélye

- Húzza ki a hővédő lemezt, így megvédheti a gombokat a grill által történő felmelegítéstől.
- A hővédő lemez nagyon forró a grill működése közben és után. A hővédő lemez megérintésekor viseljen védőkesztyűt.

- ▶ A hővédő lemezt a következő helyen bemutatott módon használja: **17.** ábra, 16. oldal.

A főzőlap és a gázsütő kikapcsolása

- ▶ A főzőlapot és a gázsütőt a következő helyen bemutatott módon kapcsolja ki: **18.** ábra, 17. oldal.

Energiatakarékosság

- ▶ Használat után kapcsolja ki a főzőlapot és a gázsütőt (lásd: „A főzőlap és a gázsütő kikapcsolása” fejj., 173. oldal).
- ▶ A sütő használata közben zárja be a sütő ajtaját.

Tisztítás és karbantartás



FIGYELMEZTETÉS! Robbanásveszély

Ne használjon lángot vagy maró folyadékot a gázvezeték szivárgásellenőrzéséhez.



VIGYÁZAT! Égési sérülés veszélye

A főzőlap és a gázsütő üzem közben és után nagyon forró. Kapcsolja ki a főzőlapot és a gázsütőt. Tisztítás, csomagolás vagy szállítás előtt hagyja kihűlni a főzőlapot és a gázsütőt.



FIGYELEM! Károsodás veszélye

- A főzőlap és a gázsütő tisztításához ne használjon sűrűlő, maró, klóros és durva tisztítószereseket vagy keféket.
- Ne használjon gőzborotvákat.
- Ne használjon sűrített levegőt a gázrendszer tisztításához.
- Távolítsa el a főzőlapról és a gázsütőről az ecetet, sókat, citromsavat vagy más savas vagy lúgos anyagokat.

- ▶ A főzőlapot és a gázsütőt nedves kendővel, semleges tisztítószeresekkel (19. ábra, 17. oldal) tisztítsa.
- ▶ A gázsütő égőfejet vízzel tisztítsa a 20. ábra, 18. oldal helyen látható módon.
- ▶ A gázinjektorok tisztításához vagy cseréjéhez forduljon hivatalos szervizhez.

Égőfejek karbantartása



FIGYELMEZTETÉS! Tűzveszély

A pókok hálót fonhatnak, és a rovarok fészket építhetnek az égőfejek belsejében. A pókhálók és a fészkek akadályozhatják a gázáramlást és tüzet okozhatnak. Távolítsa el az égőfej belsejében lévő rovarokat, pókokat, fészkeket vagy pókhálókat.

1. Havonta kétszer ellenőrizze az égőfejekben a pókhálókat és fészkeket.
2. Ha szükséges, távolítsa el a rovarokat, pókokat, fészkeket és pókhálókat az égőfej belsejéből.

Gázpalack cseréje



FIGYELMEZTETÉS! Egészségkárosodás veszélye

- A gázpalackot jól szellőző területen cserélje ki.
- Biztosítsa, hogy ne legyen nyílt láng a területen.
- A gázpalackot csak a főzőlap és gázsütő kikapcsolt állapotában cserélje ki.

1. Zárja el a gázpalack gázszelepét.
2. Tekerje le a nyomásszabályzót a gázpalackról.

3. Ha gáztömlőt használ, ellenőrizze hogy a tömlő hibátlan-e.
4. Szükség esetén cserélje ki a tömlőt (lásd: „Tömlő cseréje” fejr., 174. oldal).
5. Kézvel csavarja be a szabályozót az új gázpalackba.

Tömlő cseréje



FIGYELMEZTETÉS! Egészségkárosodás veszélye

- A tömlőt jól szellőző helyen cserélje ki.
- Biztosítsa, hogy ne legyen nyílt láng a területen.
- A tömlőt csak a főzőlap és gázsütő kikapcsolt állapotában cserélje ki.

1. Zárja el a gázpalack gázszelepét.
2. Tekerje le a nyomásszabályzót a gázpalackról.
3. Cserélje ki a gáztömlőt.
4. Tekerje be kézzel a szabályozót a gázpalackba.
5. Ellenőrizze a gáztömlő szivárgását habosító szerrel, pl. szappannal.

Tárolás



FIGYELMEZTETÉS! Égési sérülés veszélye

A főzőlap és a gázsütő üzem közben és után nagyon forró. Kapcsolja ki a főzőlapot és a gázsütőt. Csomagolás vagy szállítás előtt hagyja kihűlni a főzőlapot és a gázsütőt.

1. Zárja el a gázpalack gázszelepét.
2. Tisztítsa meg a főzőlapot és a gázsütőt (lásd: „Tisztítás és karbantartás” fejr., 173. oldal).

Hibakeresés

Hiba	Lehetséges ok	Megoldás
A készülék nem gyullad be.	Nem megfelelő gázt használ.	<ul style="list-style-type: none">▶ Ügyeljen arra, hogy megfelelő gázt használjon. Tartsa be a főzőlapra és a gázsütőre vonatkozó gázsabályozási előírásokat az adattáblán és a specifikációkat itt: „Műszaki adatok” fejr., 176. oldal.▶ Szükség esetén cserélje ki a gázpalackot (lásd: „Gázpalack cseréje” fejr., 174. oldal).
	Kiürült a gázpalack.	<ul style="list-style-type: none">▶ Cserélje ki a gázpalackot (lásd: „Gázpalack cseréje” fejr., 174. oldal).
	A tömlő meghibásodott.	<ul style="list-style-type: none">▶ Cserélje ki a tömlőt (lásd: „Tömlő cseréje” fejr., 174. oldal).
	Meghibásodás vagy hibás csatlakoztatás található.	<ul style="list-style-type: none">▶ Csatlakoztassa újra a csövet vagy tömlőt („Csatlakoztatás gázpalackhoz” fejr., 172. oldal).▶ Szükség esetén zárja el a gázellátást, és forduljon hivatalos szervizhez.
	A termoelem meghibásodott. A főzőlap és a gázsütő meghibásodott.	<ul style="list-style-type: none">▶ Zárja el a gázellátást, és forduljon hivatalos szervizhez.
Az égőfejek nem gyulladnak be.	Nem történik szikrázás.	<ul style="list-style-type: none">▶ Állítsa a megfelelő főzőlap égőfej gombot a legalacsonyabb fokozatra, és kapcsolja be a főzőlap égőfejét (lásd: „Égőfejek begyújtása” fejr., 172. oldal).
A sütő nem gyullad be.	Nem történik szikrázás.	<ul style="list-style-type: none">▶ Kapcsolja ki 1 percre a sütőt.▶ Kapcsolja be a sütőt (lásd: „Az égőfejek szabályozása” fejr., 173. oldal).
Csak CU351MK: A grill nem gyullad be.	Nem történik szikrázás.	<ul style="list-style-type: none">▶ Kapcsolja ki a grillt 1 percre.▶ Kapcsolja be a grillt (lásd: „A főzőlap használata” fejr., 173. oldal).

Szavatosság

dometic.com/dealer).

A termékre a törvény szerinti szavatossági időszak érvényes. Amennyiben a termék meghibásodott, lépjen kapcsolatba a kiskereskedővel, vagy a gyártó helyi képviselőjével (lásd:

A javításhoz, illetve a garancia intézéséhez a következő dokumentumokat kell mellékelnie a termék beküldésekor:

- A számla vásárlási dátummal rendelkező másolatát
 - A reklamáció okát vagy a hibát tartalmazó leírást
- Vegye figyelembe, hogy az önkezü javítás vagy a nem szakszerű javítás biztonsági következményekkel járhat, és érvénytelenítheti a szavatosságot.

Ártalmatlanítás



- ▶ A csomagolóanyagot lehetőleg a megfelelő újrahasznosítható hulladékokhoz tegye.
- ▶ A termékre vonatkozó ártalmatlanítási előírásokról tájékozódjon a legközelebbi újrahasznosító központban, vagy szakkereskedőjénél.

Műszaki adatok

	CU351MK	CU354MK
Teljes névleges teljesítmény	6,4 kW, 466 g/óra	5,1 kW, 371 g/óra
Sütő névleges teljesítménye	1,1 kW, 89 g/óra	
Grill névleges teljesítménye	1,3 kW, 95 g/óra	–
Főzőlap névleges teljesítménye		
Bal égőfej	2,2 kW, 160 g/óra	
Jobb égőfej	1,8 kW, 131 g/óra	
Égési levegő mennyisége	12,8 m ³ /ó	10,2 m ³ /ó
Csatlakozási nyomás	6 . ábra, 8. oldal	
Méreték (szélesség x magasság x mélység)	508 x 450 x 358 mm	398 x 449 x 357 mm
Súly	18,50 kg	15,50 kg
Főzőlap égőfejének mérete		
Bal égőfej	Ø 62 mm	
Jobb égőfej	Ø 70 mm	
Engedélyek		

Pažljivo pročitajte ove upute i poštujujte sve upute, smjernice i upozorenja sadržane u ovim uputama kako biste u svakom trenutku osigurali pravilnu instalaciju, uporabu i održavanje proizvoda. Ove upute MORAJU ostati u blizini uređaja.

Uporabom proizvoda potvrđujete da ste pažljivo pročitali sve upute, smjernice i upozorenja te da razumijete i pristajete poštovati ovdje navedene uvjete i odredbe. Pristajete koristiti ovaj proizvod samo za predviđenu svrhu i namjenu te u skladu s uputama, smjernicama i upozorenjima navedenima u ovom priručniku za proizvod, kao i u skladu sa svim važećim zakonima i propisima. Ako ne pročitate i ne poštujuete ovdje navedene upute i upozorenja, tada to može dovesti do ozljeđivanja vas i drugih osoba, do oštećenja proizvoda ili druge imovine u blizini. Ovaj priručnik za proizvod, uključujući i upute, smjernice i upozorenja, te povezanu dokumentaciju može biti podložan promjenama i ažuriranjima. Za najnovije podatke o proizvodu posjetite documents.dometic.com.

Sadržaj

Objašnje simbola	177
Sigurnosne upute	177
Opseg isporuke	180
Ciljne skupine	180
Namjenska uporaba	180
Tehnički opis	180
Instalacija	181
Rad	182
Ušteda energije	183
Čišćenje i održavanje	183
Skladištenje	184
Uklanjanje smetnji	185
Jamstvo	185
Odlaganje u otpad	186
Tehnički podatci	186

Objašnje simbola



UPOZORENJE!

Sigurnosna uputa: Naznačuje opasnu situaciju, koja bi, ako se ne izbjegne, mogla rezultirati smrću ili teškim ozljedama.



OPREZ!

Sigurnosna uputa: Naznačuje opasnu situaciju, koja bi, ako se ne izbjegne, mogla rezultirati lakšim ili umjerenim ozljedama.



POZOR!

Naznačuje situaciju, koja, ako se ne izbjegne, može rezultirati materijalnom štetom.



UPUTA

Dodatne informacije za rukovanje proizvodom.

Sigurnosne upute

Pripremne napomene

- Prije montaže provjerite jesu li uvjeti lokalne opskrbe (priroda i tlak plina) te način prilagodbe uređaja kompatibilni.
- Uvjeti prilagodbe ovog uređaja navedeni su na oznaci (ili tipskoj pločici).
- Uređaj nije povezan s rješenjem za izbacivanje produkta izgaranja iz uređaja. Njega je potrebno montirati i povezati u skladu s trenutnim propisima za postavljanje. Posebnu je pozornost potrebno posvetiti relevantnim propisima o prozračivanju.

Opća sigurnost



UPOZORENJE! Nepoštivanje ovih upozorenja moglo bi dovesti do smrti ili teške ozljede.

Opasnost od eksplozije

- Popravke na ovom uređaju smiju provoditi samo stručnjaci. Neadekvatni popravci mogu prouzročiti ozbiljne opasnosti.
- Uređaj se mora montirati u skladu s državnim propisima koji vrijede u državi upotrebe.
- Uređaj se smije upotrebljavati isključivo u dobro prozračenom prostoru.
- Prije montaže ili upotrebe uređaja pročitajte upute.
- Nemojte mijenjati uređaj.
- Komponente ovog uređaja nemojte uklanjati ni mijenjati.
- Crijevo za plin potrebno je promijeniti ako je to propisano državnim propisima.

- Crijevo za dovod plina nemojte savijati, rastezati ili pritiskati niti na njega primjenjivati bilo kakvo opterećenje.

Opasnost od požara


- Uređaj ne ostavljajte bez nadzora kada je topao ili u upotrebi.
- Djeca moraju biti pod nadzorom kako bi se osiguralo da se neće igrati s uređajem.
- Pobrinite se za to da vam je pri ruci odgovarajući aparat za gašenje požara. Pobrinite se za to da aparat za gašenje požara redovito pregledava obučeno osoblje.

Opasnost od opeklina

- Ruke, lice i kosu držite podalje od plamenika.
- Tijekom paljenja ili upotrebe uređaja nemojte nositi široku odjeću niti ostaviti dugu kosu raspušteno.
- Držite djecu i kućne ljubimce podalje od uređaja.
- Pažljivo nadzirite sve aktivnosti oko uređaja da biste spriječili opeklina ili druge ozljede.
- Uređaj tijekom rada nemojte pomicati.

Opasnost za zdravlje

- Ovim uređajem smiju rukovati djeca starija od 8 godina i osobe sa smanjenim fizičkim, osjetljivim i mentalnim sposobnostima ili osobe s nedostatkom iskustva i znanja ako su pod nadzorom, odn. ako im se daju upute u vezi sa sigurnom uporabom uređaja i ako razumiju uključene opasnosti.
- Djeca moraju biti pod nadzorom kako bi se osiguralo da se neće igrati s uređajem.

 **OPREZ! Nepoštivanje ovih upozorenja moglo bi dovesti do lakše ili umjerenih ozljede.**

Opasnost od ozljede

- Ako uređaj ima stakleni poklopac, u slučaju pucanja staklenog poklopca učinite sljedeće:
 - Odmah isključite sve plamenike i sve električne elemente za grijanje te izolirajte uređaj od napajanja.
 - Nemojte dirati površinu uređaja.
 - Nemojte upotrebljavati uređaj.



POZOR! Opasnost od oštećenja

- Ako uređaj ima stakleni poklopac, učinite sljedeće:
 - Zatvorite stakleni poklopac prije početka putovanja.
 - Isključite sve plamenike prije nego što zatvorite stakleni poklopac.

Sigurnosne mjere opreza prilikom rukovanja ukapljenim plinom



UPOZORENJE! Nepoštivanje ovih upozorenja moglo bi dovesti do smrti ili teške ozljede.

Opasnost od eksplozije

- Bocu s ukapljenim plinom nakon upotrebe uvijek isključite.
- Boce s ukapljenim plinom držite podalje od uređaja za kuhanje i grijanje i drugih izvora svjetlosti ili topline u dobro prozračenom prostoru izvan dohvata djece.
- Boce s ukapljenim plinom **nikada** ne čuvajte u neprozračenim prostorima ni ispod zemlje (u rupama u obliku lijevka u zemlji).
- Boce s ukapljenim plinom **nikada** ne čuvajte u objektima kao što su garaže.
- Zatvoreni prostori za odlaganje moraju biti u skladu s državnim propisima.
- Boce s ukapljenim plinom ne čuvajte na boku.
- Boce s ukapljenim plinom držite podalje od izravne sunčeve svjetlosti. Temperatura ne smije premašiti 50 °C.

Sigurnost pri radu uređaja



OPASNOST! Nepoštivanje ovih uputa dovest će do smrti ili teške ozljede.

Opasnost od trovanja ugljičnim monoksidom

- Postupkom gorenja ukapljenog plina nastaje ugljični monoksid koji se nakuplja u zatvorenim prostorima. Uređaj upotrebljavajte isključivo u dobro prozračenom prostoru.

Opasnost od gušenja

- Upotrebom uređaja u neprozračenom prostoru smanjit će se količina kisika u prostoru.

- Uređaj nemojte upotrebljavati kao grijač prostora.
- Upotreba plinskog uređaja za kuhanje rezultira stvaranjem topline, vlage i produktima izgaranja u prostoriji u kojoj je uređaj montiran.
 - Provjerite je li kuhinja dobro prozračena, naročito kada je uređaj u upotrebi.
 - Pobrinite se za to da su prirodni otvori za prozračivanje otvoreni ili montirajte mehanički uređaj za prozračivanje (npr. mehaničku napu).
- Dulja intenzivna upotreba uređaja može zahtijevati dodatno prozračivanje, primjerice otvaranjem prozora, ili učinkovitije prozračivanje, npr. povećanjem razine mehaničkog prozračivanja kada je to moguće.



UPOZORENJE! Nepoštivanje ovih upozorenja moglo bi dovesti do smrti ili teške ozljede.

Opasnost od eksplozije

- Uređaj nemojte upotrebljavati ako uočite curenje, ako je oštećen ili ako ne radi ispravno.
- Uređaj nikada nemojte upotrebljavati u sljedećim situacijama:
 - na benzinskim postajama
 - na trajektima
 - prilikom prijevoza kamp-kućice ili mobilne kućice s pomoću transportnog vozila ili kamiona za vuču
- u slučaju da je vatra prekinula dovod plina.
- U blizinu uređaja nemojte postavljati kemikalije, zapaljive materijale ni sprejeve.
- Curenja plina nikada nemojte pokušavati otkrivati otvorenim plamenom.
- U slučaju pojave mirisa plina:
 - Nemojte pokušavati uključiti ovaj uređaj.
 - Ugasite otvoreni plamen.
 - Isključite dovod plina.
 - Odvojite uređaj od dovoda plina.
 - Prilikom upotrebe uređaja u zatvorenom otvorite prozore i izađite iz vozila.
 - Zatražite stručnjaka da pregleda plinski sustav.
- Plinsku bocu pričvrstite i odvajajte isključivo na otvorenom i podalje od otvorenog plamena, pozicijskih svjetla ili drugih izvora zapaljenja i isključivo kada je uređaj hladan na dodir.
- Prije upotrebe plinske boce provjerite je li brtva između uređaja i plinske boce na mjestu i u dobrom stanju.

- Ako je brtva oštećena ili istrošena, uređaj nemojte upotrebljavati.
- Isključite dovod plina na plinskoj boci nakon upotrebe.

Opasnost od požara

- Uređaj je tijekom upotrebe potrebno držati podalje od zapaljivih materijala.
- Na uređaj ili uz njega nemojte postavljati nikakve predmete osim posuda za kuhanje.
- Uređaj nikada nemojte postavljati pokraj zapaljivih materijala (papira, suhog lišća, tekstila).
- Zapaljive predmete držite podalje od plamenika.
- Postavite ručke posuđa za kuhanje na sljedeći način:
 - Ručke posuđa za kuhanje nikada nemojte postaviti tako da prelaze rub uređaja.
 - Ručke posuđa za kuhanje okrenite prema unutra, no ne tako da se nalaze iznad drugih plamenika.
- Nemojte prekomjerno zagrijavati masnoće ili ulje.
- Za rukovanje toplim posuđem za kuhanje koristite isključivo suhe držače za lonce.
- Uređaj isključite prije nego što uklonite posude za kuhanje.
- Uređaj upotrebljavajte samo uz nadzor odrasle osobe.

Opasnost od opekline

- Dijelovi kojima se može pristupiti mogu biti jako vrući. Držite malu djecu podalje od uređaja.



OPREZ! Nepoštivanje ovih upozorenja moglo bi dovesti do lakše ili umjerenе ozljede.

Opasnost od opekline

- Prilikom rukovanja toplim komponentama upotrebljavajte zaštitne rukavice.
- Pustite da se uređaj ohladi prije nego što ga dodirnete golim rukama.
- Kada se plamenik uključuje ručno:
 - upotrijebite duge šibice ili prikladan upaljač
 - ruke brzo maknite čim se plamenik uključi.
- Upotreba alkohola ili lijekova dobivenih na recept ili bez njega može utjecati na sposobnost pravilnog montiranja uređaja ili sigurnog upravljanja uređajem.



POZOR! Opasnost od oštećenja

- Nemojte upotrebljavati vanjski tajmer ni sustav za daljinsko upravljanje.

Opseg isporuke

Br. na sl. 1 , stranica 3	Komponenta	Količina
1	Podrška za posuđe za kuhanje	1
2	Lim za pečenje	1
3	Rešetka za pećnicu	1
4	Štednjak i plinska pećnica	1
5	Montažni nosač	2

Ciljne skupine



Montažu i ugradnju plinskog priključka mora izvesti kvalificirana osoba koja je pokazala vještinu i znanje u vezi s ugradnjom i radom plinskih uređaja i prošla sigurnosnu obuku kako bi mogla prepoznati i izbjeći opasnosti.

Namjenska uporaba

Štednjak i plinska pećnica namijenjeni su za kuhanje i pečenje hrane.

Samo za model CU351MK: štednjak i plinska pećnica namijenjeni su i za roštiljanje hrane.

Štednjak i plinska pećnica namijeni su isključivo za upotrebu na brodovima i plovilima. U slučaju upotrebe u zatvorenim prostorima potrebno je zadovoljiti uvjete navedene na sl. **5**, stranica 7. U slučaju da postoje 3 zida, 30 % ukupnog prostora zida mora biti otvoreno i bez prepreka.

Štednjak i plinska pećnica **nisu** namijenjeni za upotrebu na palubama, u vozilima ili objektima.

Ovaj je proizvod prikladan samo za predviđenu namjenu i primjenu u skladu s ovim uputama.

Ove upute donose informacije neophodne za pravilnu instalaciju i/ili rad proizvoda. Loša instalacija i/ili nepravilan rad ili održavanje rezultirat će nezadovoljavajućom uspješnošću i mogućim kvarom. Proizvođač ne preuzima nikakvu odgovornost za bilo kakve ozljede ili oštećenja proizvoda koje nastanu kao rezultat:

- nepravilne montaže ili priključivanja, uključujući i previsok napon
- nepravilnog održavanja ili uporabe nekih drugih rezervnih dijelova osim originalnih rezervnih dijelova koje isporučuje proizvođač
- izmjena na proizvodu bez izričitog dopuštenja proizvođača
- uporabe u svrhe koje nisu opisane u ovim uputama

Kampa pridržava pravo na izmjene izgleda i specifikacija proizvoda.

Tehnički opis

Štednjak i plinska pećnica mogu se upotrebljavati za kuhanje i pečenje hrane.

Samo za model CU351MK: štednjak i plinska pećnica mogu se upotrebljavati i za roštiljanje hrane.

Štednjak i plinska pećnica pričvršćeni su montažnim nosačima i kontaktnim pinom koji osiguravaju da uređaj ostane na mjestu u slučaju valova. Uređaj je opremljen podrškom za posuđe za kuhanje koja osigurava da će posuđe za kuhanje čvrsto stajati na štednjaku i neće s njega skliznuti u slučaju valova.

Štednjak i plinska pećnica moraju biti povezani s plinskom bocom.

CU354MK

Br. na sl. 2 , stranica 4	Komponenta
1	Podrška za posuđe za kuhanje
2	Ručica za prilagođavanje temperature pećnice
3	Rešetka za pećnicu

Instalacija



UPOZORENJE! Opasnost od eksplozije

- Prije montaže štednjaka i plinske pećnice provjerite jesu li kvaliteta i tlak plina te regulatori za dovod plina kompatibilni sa štednjakom i plinskom pećnicom. Pogledajte pogl. „Tehnički podatci“ na stranici 186 za specifikacije i tipsku pločicu za specifikacije za regulaciju plina za štednjak i plinsku pećnicu.
- Štednjak i plinska pećnica nisu povezani s odsisnikom dima. Štednjak i plinsku pećnicu montirajte u skladu s primjenjivim propisima o montaži.

Br. na sl. 2, Komponenta stranica 4

4	Lim za pečenje
5	Vrata pećnice
6	Desna ručica za prilagođavanje temperature plamenika štednjaka
7	Lijeva ručica za prilagođavanje temperature plamenika štednjaka

CU351MK

Br. na sl. 3, Komponenta stranica 5

1	Podrška za posuđe za kuhanje
2	Ručica za prilagođavanje temperature pećnice
3	Ručica za prilagođavanje temperature roštiljanja
4	Roštilj
5	Lim za pečenje
6	Rešetka za pećnicu
7	Vrata pećnice
8	Desna ručica za prilagođavanje temperature plamenika štednjaka
9	Lijeva ručica za prilagođavanje temperature plamenika štednjaka

Ručice za prilagođavanje temperature

Moguće je prilagoditi temperaturu pećnice i veličinu plamena na plameniku (sl. 4, stranica 6).

Rasponi temperatura u pećnici

Pozicija	1	2	3
Temperatura	130 °C	160 °C	180 °C

Pozicija	4	5	6
Temperatura	200 °C	220 °C	240 °C

Odabir mjesta za montažu

Prilikom odabira mjesta za montažu štednjaka i plinske pećnice pratite sljedeće upute:

- Štednjak i plinsku pećnicu na vanjskim prostorima i u zatvorenim prostorijama montirajte tako da zadovoljavaju preduvjete prikazane na sl. 5, stranica 7.
- Prostor mora biti dobro prozračen.
- Štednjak i plinsku pećnicu nemojte postavljati pod nagibom da biste spriječili akumuliranje plinova.
- Štednjak i plinsku pećnicu zaštitite od vjetrova i izravnog propuha.
- Tlo mora biti čvrsto, ravno i stabilno.
- Kućište i element s roštiljem jako se zagrijavaju tijekom rada. Štednjak i plinska pećnica moraju stajati na osnovi koja može podnijeti toplinu od najmanje 80 °C.

Povezivanje s plinskom bocom

Štednjak i plinska pećnica rade s komercijalnim plinskim bocama dostupnim u državi gdje se uređaj upotrebljava (sl. 6, stranica 8).

Plinska boca mora zadovoljiti sljedeće uvjete:

- Plinsku bocu potrebno je uvijek postaviti u odgovarajući odjeljak.
- Plinska boca mora se uvijek postaviti uspravno.

- Plinska boca mora biti isporučena s regulatorom plina koji je lako dostupan i nije prekriven.

Dovod za plin povezan s uređajem mora biti čvrsta metalna cijev sa zabrtvljenim spojevima. Ako se upotrebljava fleksibilno crijevo, potrebno je zadovoljiti sljedeće uvjete:

- Crijevo mora biti lako dostupno radi pregleda.
- Crijevo mora biti zaštićeno od kontakta s drugim dijelovima koji se zagrijavaju.
- Crijevo mora biti zaštićeno od oštećenja.
- Crijevo mora biti zaštićeno od pritiskanja pomičnim dijelovima kao što su ladice.
- Crijevo ne smije biti dulje od 1,5 m.
- Crijevo se mora zamijeniti prije datuma isteka.

1. Povežite cijev ili crijevo plinske boce sa štednjakom i plinskom pećnicom (sl. **7** do sl. **8**, stranica 9).

Crijevo mora biti pritegnuto odgovarajućim ključem, kao što je prilagodljivi ključ, da bi se osigurala nepropusna brtva za plin.

2. S pomoću sredstva za pjenjenje, npr. sapuna, provjerite nema li na cijevi ili crijevu za plin znakovna propuštanja.



UPOZORENJE! Opasnost od eksplozije

Da biste provjerili nema li na dovodu plina znakova propuštanja, nemojte upotrebljavati plamen ni korozivne tekućine.

Montiranje štednjaka i plinske pećnice

1. Osigurajte dovoljnu udaljenost od zidova i drugih elemenata (pogledajte sl. **9**, stranica 10).
2. Montirajte štednjak i plinsku pećnicu kako je prikazano na sl. **10** do sl. **11**, stranica 11.

Rad



UPOZORENJE! Opasnost od eksplozije

- Aktivirajte plamenik čim uključite dovod plina. U suprotnom se plin može nakupiti u području plamenika i uzrokovati eksploziju.
- Cijeli postupak aktiviranja mora biti vidljiv iz visine i ne smije biti skriven posuđem za kuhanje koji se nalazi na štednjaku.



POZOR! Opasnost od oštećenja

Samo za model CU351MK: nemojte upotrebljavati roštilj dulje od 25 minuta.



UPUTA

- Tijekom rada štednjaka i plinske pećnice može se čuti lagani zvuk koji uzrokuje protok plina.
- Kada po prvi put upotrebljavate štednjak i plinsku pećnicu, moguća je pojava dima. To uzrokuje nakupina strojnog ulja koja gori i nestat će nakon otprilike 10 minuta.
- **Samo za model CU351MK:** roštilj se ne može upotrebljavati kao pećnica.
- Prilikom upotrebe propana (G31) plamen je plave boje bez žutih vrhova.
- Prilikom upotrebe butana (G30) plamen je plave boje i ima žute vrhove kada se zapali. Žuti vrhovi postaju intenzivniji kada je plamenik zagrijan.

Aktiviranje plamenika

- ▶ Aktivirajte štednjak kako je prikazano na sl. **12 (1)** stranica 12 i sl. **13**, stranica 13.
- ▶ **Samo za model CU351MK:** aktivirajte roštilj kako je prikazano na sl. **12 (2)** stranica 12 i sl. **14**, stranica 14.
- ▶ Aktivirajte pećnicu kako je prikazano na sl. **12 (3)** stranica 12 i sl. **15**, stranica 15.

Upravljanje plamenicima



POZOR! Opasnost od oštećenja

Pobrinite se za to da lim za pečenje, rešetka za pećnicu i posuđe za kuhanje ne dolaze u kontakt s plamenom u pećnici.



UPUTA

- Pećnicu nakon prvog uključivanja ostavite da radi pri najvišoj temperaturi najmanje 30 minuta prije nego što podesite temperaturu.
- Nakon prvog aktiviranja štednjaka ostavite plamen odgovarajućeg plamenika da radi pri najvećoj veličini plamena 15 – 20 minuta prije nego što podesite temperaturu.

► Postavite odgovarajuću kontrolu za temperaturu na željenu temperaturu ili veličinu plamena (pogledajte pogl. „Ručice za prilagođavanje temperature“ na stranici 181 i pogl. „Rasponi temperatura u pećnici“ na stranici 181).

✓ Kada je plamenik pećnice aktiviran, plamen ostaje pri najvećoj razini. Kada pećnica dosegne postavljenu temperaturu, plamen se automatski vraća na nižu razinu.

Upotreba štednjaka



UPOZORENJE! Opasnost od požara

Plamen ne smije prelaziti rub posuđa za kuhanje. Posuđe za kuhanje postavite na sredinu plamenika i pobrinite se za to da stoji stabilno zahvaljujući podršci za posuđe za kuhanje.

► Obavezno upotrebljavajte odgovarajuće posuđe za kuhanje. Obratite pozornost na dimenzije plamenika štednjaka i posuđa za kuhanje:

Promjer plamenika štednjaka	Promjer posuđa za kuhanje
Ø 62 mm	16 – 22 cm
Ø 77 mm	16 – 22 cm

► Pričvrstite posuđe za kuhanje na podršku za posuđe za kuhanje s pomoću ručica na podršci za posuđe za kuhanje (pogledajte sl. 16, stranica 16).

Upotreba roštilja (samo za model CU351MK)



OPREZ! Opasnost od opekline

- Izvucite zaštitu od topline da biste zaštitili ručice od zagrijavanja roštilja.
- Zaštita od topline veoma je topla tijekom i nakon upotrebe roštilja. Prilikom dodirivanja zaštite od topline nosite zaštitne rukavice.

► Zaštitu od topline upotrebljavajte kako je prikazano na sl. 17, stranica 16.

Isključivanje štednjaka i plinske pećnice

► Štednjak i plinsku pećnicu isključite kako je prikazano na sl. 18, stranica 17.

Ušteda energije

► Štednjak i plinsku pećnicu isključite nakon upotrebe (pogledajte pogl. „Isključivanje štednjaka i plinske pećnice“ na stranici 183).

► Prilikom upotrebe pećnice zatvorite vrata pećnice.

Čišćenje i održavanje



UPOZORENJE! Opasnost od eksplozije

Da biste provjerili nema li na dovodu plina znakova propuštanja, nemojte upotrebljavati plamen ni korozivne tekućine.



OPREZ! Opasnost od opekline

Štednjak i plinska pećnica veoma su topli tijekom i nakon upotrebe. Isključite štednjak i plinsku pećnicu. Ostavite štednjak i plinsku pećnicu da se ohlade prije čišćenja, pakiranja ili prijevoza.



POZOR! Opasnost od oštećenja

- Za čišćenje štednjaka i plinske pećnice nemojte upotrebljavati abrazivna, korozivna i gruba sredstva za čišćenje ili četke ili pak sredstva koja sadrže klor.
- Nemojte upotrebljavati parne čistače.
- Za čišćenje protoka plina nemojte upotrebljavati komprimirani zrak.
- Sa štednjaka i plinske pećnice uklonite tragove octa, soli, limunske kiseline ili drugih kiselih ili lužnatih tvari.

- ▶ Štednjak i plinsku pećnicu očistite vlažnom krpom i neutralnim sredstvima za čišćenje (sl. 19, stranica 17).
- ▶ Plamenik pećnice očistite vodom kao što je prikazano na sl. 20, stranica 18.
- ▶ Za čišćenje ili zamjenu brizgaljke plina obratite se ovlaštenom servisnom centru.

Održavanje plamenika



UPOZORENJE! Opasnost od požara

Pauci mogu isplesti mreže i insekti mogu napraviti gnijezda unutar plamenika. Mreže i gnijezda mogu ometati protok plina i uzrokovati požar. Uklonite sve insekte, pauke, gnijezda i mreže iz plamenika.

1. Dvapat mjesečno provjerite nema li u plamenikima mreža ili gnijezda.
2. Ako je potrebno, uklonite insekte, pauke, gnijezda i mreže iz plamenika.

Zamjena plinske boce



UPOZORENJE! Opasnost za zdravlje

- Plinsku bocu mijenjajte u dobro prozračenom prostoru.
- Provjerite nema li u prostoru otvorenog plamena.
- Plinsku bocu mijenjajte isključivo kada su štednjak i plinska pećnica isključeni.

1. Zatvorite ventil na plinskoj boci.
2. Otvorite regulator na plinskoj boci.
3. Ako se upotrebljava crijevo za plin, provjerite nema li oštećenja.

4. Ako je potrebno, zamijenite crijevo (pogledajte pogl. „Zamjena crijeva“ na stranici 184).
5. Rukom pritegnite regulator na novu plinsku bocu.

Zamjena crijeva



UPOZORENJE! Opasnost za zdravlje

- Crijevo mijenjajte u dobro prozračenom prostoru.
- Provjerite nema li u prostoru otvorenog plamena.
- Crijevo mijenjajte isključivo kada su štednjak i plinska pećnica isključeni.

1. Zatvorite ventil na plinskoj boci.
2. Otvorite regulator na plinskoj boci.
3. Zamijenite crijevo za plin.
4. Rukom pritegnite regulator na plinsku bocu.
5. S pomoću sredstva za pjenjenje, npr. sapuna, provjerite nema li na crijevu za plin znakova propuštanja.

Skladištenje



UPOZORENJE! Opasnost od opekline

Štednjak i plinska pećnica veoma su topli tijekom i nakon upotrebe. Isključite štednjak i plinsku pećnicu. Ostavite štednjak i plinsku pećnicu da se ohlade prije pakiranja ili prijevoza.

1. Zatvorite ventil na plinskoj boci.
2. Očistite štednjak i plinsku pećnicu (pogledajte pogl. „Čišćenje i održavanje“ na stranici 183).

Uklanjanje smetnji

Smetnja	Mogući uzrok	Rješenje
Uređaj se ne pali.	Upotrebljava se pogrešan plin.	<ul style="list-style-type: none">▶ Provjerite ima li dovoljno plina. Pogledajte pogl. „Tehnički podatci“ na stranici 186 za specifikacije i tipsku pločicu za specifikacije za regulaciju plina za štednjak i plinsku pećnicu.▶ Ako je potrebno, zamijenite plinsku bocu (pogledajte pogl. „Zamjena plinske boce“ na stranici 184).
	Plinska je boca prazna.	<ul style="list-style-type: none">▶ Zamijenite plinsku bocu (pogledajte pogl. „Zamjena plinske boce“ na stranici 184).
	Crijevo nije ispravno.	<ul style="list-style-type: none">▶ Zamijenite crijevo (pogledajte pogl. „Zamjena crijeva“ na stranici 184).
	Postoji kvar ili je spoj slab.	<ul style="list-style-type: none">▶ Ponovno povežite cijev ili crijevo (pogl. „Povezivanje s plinskom bocom“ na stranici 181).▶ Ako je potrebno, isključite dovod plina i obratite se ovlaštenom serviseru.
	Termoelement nije ispravan.	<ul style="list-style-type: none">▶ Isključite dovod plina i obratite se ovlaštenom serviseru.
	Štednjak i plinska pećnica nisu ispravni.	
Plamenici štednjaka ne žele se upaliti.	Nema iskrenja.	<ul style="list-style-type: none">▶ Postavite odgovarajuću ručicu plamenika štednjaka na najnižu razinu i uključite plamenik štednjaka (pogledajte pogl. „Aktiviranje plamenika“ na stranici 182).
Pećnica se ne pali.	Nema iskrenja.	<ul style="list-style-type: none">▶ Isključite pećnicu na 1 minutu.▶ Uključite pećnicu (pogledajte pogl. „Upravljanje plamenicima“ na stranici 182).
Samo za model CU351MK: roštilj se ne pali.	Nema iskrenja.	<ul style="list-style-type: none">▶ Isključite roštilj na 1 minutu.▶ Uključite roštilj (pogledajte pogl. „Upotreba štednjaka“ na stranici 183).

Jamstvo

Primjenjuje se zakonom propisano jamstveno razdoblje. Ako je proizvod neispravan, molimo obra-

tite se trgovcu na malo ili podružnici proizvođača u vašoj državi (vidi dometic.com/dealer).

Za potrebe popravaka i obrade jamstva, pri slanju proizvoda priložite sljedeće dokumente:

- Presliku računa s datumom kupnje
- Razlog reklamacije ili opis kvara

Obratite pozornost da samostalni ili nestručni popravak može imati negativne posljedice na sigurnost i uzrokovati gubitak jamstva.

Odlaganje u otpad



- ▶ Odložite ambalažu u odgovarajuće kante za reciklažu otpada gdje god je to moguće.
- ▶ Za detalje o odlaganju proizvoda u otpad, zatražite od svog lokalnog centra za recikliranje ili specijaliziranog trgovca pojediniosti o tomu kako to učiniti u skladu s važećim propisima o odlaganju u otpada.

Tehnički podatci

	CU351MK	CU354MK
Ukupna nazivna snaga	6,4 kW, 466 g/h	5,1 kW, 371 g/h
Nazivna snaga pećnice	1,1 kW, 89 g/h	
Nazivna snaga roštilja	1,3 kW, 95 g/h	–
Nazivna snaga štednjaka		
Lijevi plamenik	2,2 kW, 160 g/h	
Desni plamenik	1,8 kW, 131 g/h	
Volumen zraka za izgaranje	12,8 m ³ /h	10,2 m ³ /h
Tlak spoja	sl. 6 , stranica 8	
Dimenzije (vis. x šir. x dub.)	508 x 450 x 358 mm	398 x 449 x 357 mm
Težina	18,50 kg	15,50 kg
Dimenzije plamenika štednjaka		
Lijevi plamenik	Ø 62 mm	
Desni plamenik	Ø 70 mm	
Odobrenja	CE	

Bu ürünü doğru monte ettiğinizden ve ürünün daima kullanıma hazır olduğundan emin olmak için, lütfen tüm talimatları ve bu ürün kılavuzunda verilen kılavuzları ve uyarıları dikkatlice okuyunuz. Bu talimatlar bu üründe KALMALIDIR.

Bu ürünü kullandığınızda tüm talimatları, kılavuzları ve uyarıları dikkatlice okuduğunuz ve anladığınız ve hükümlere ve koşullara bu sözleşmede yer almıyorsa gibi uyarınıza onay verirsiniz. Bu ürünü sadece amacına ve uygulamaya uygun ve talimatlara, kılavuzlara ve uyarılara uygun bu ürün kılavuzu ile geçerli yasalara ve yönetmeliklere uygun olarak kullanacağınızı kabul ediyorsunuz. Talimatların ve uyarıların burada verildiği gibi okunmaması veya bunlara uyulmaması sonucu kendiniz ve diğer insanlar yaralanabilir veya ürününüz veya yakınında bulunan diğer eşyalar hasar görebilir. Talimatlar, kılavuzlar ve uyarılar da dahil, bu ürün kılavuzu ve buna ait olan dokümanlarda değişiklikler ve güncellemeler yapılabilir. Güncel ürün bilgileri için, lütfen bakınız documents.dometic.com.

İçindekiler

Sembollerin açıklanması	187
Güvenlik uyarıları	187
Teslimat kapsamı	189
Hedef gruplar	190
Amacına Uygun Kullanım	190
Teknik Açıklama	190
Montaj	191
Kullanım	192
Enerji tasarrufu	193
Temizlik ve bakım	193
Depolama	194
Arızaların Giderilmesi	194
Garanti	195
Atık İmhası	195
Teknik Bilgiler	196

Sembollerin açıklanması



UYARI!

Güvenlik uyarısı: Önlenmediğinde, can kaybı veya ağır bir yaralanmaya neden olabilecek tehlikeli bir durumu gösterir.



DİKKAT!

Güvenlik uyarısı: Önlenmediğinde, hafif veya orta derecede bir yaralanmaya neden olabilecek tehlikeli bir durumu gösterir.



İKAZ!

Önlenmediğinde, maddi hasara neden olabilecek bir durumu gösterir.



NOT

Ürünün kullanılması ile ilgili ek bilgiler.

Güvenlik uyarıları

Ön hazırlık notları

- Kurulumdan önce, yerel dağıtım koşullarının (gazın doğası ve gaz basıncı) ve cihazın ayarının uyumlu olduğundan emin olun.
- Bu cihaz için ayar koşulları etikette (veya cihaz bilgi etiketinde) belirtilmiştir.
- Bu cihaz, yanma ürünlerini tahliye eden bir cihaza bağlı değildir. Mevcut montaj yönetmeliklerine göre monte edilmeli ve bağlanmalıdır. Havalandırma ile ilgili gerekliliklere özellikle dikkat edilmelidir.

Genel güvenlik



UYARI! Bu uyarılara uyulmaması can kaybı veya ağır yaralanmaya sebep olabilir.

Patlama tehlikesi

- Bu cihazda sadece usta elemanlar tarafından onarım yapılmalıdır. Yanlış onarımlar ciddi tehlikelere neden olabilir.
- Bu cihaz, kullanıldığı ülkede yürürlükte olan tüm ulusal düzenlemelere uygun olarak kurulmalıdır.
- Bu cihaz sadece iyi havalandırılan bir alanda kullanılmalıdır.
- Bu cihazı monte etmeden veya kullanmadan önce talimatları okuyun.
- Cihazda değişiklik yapmayın.
- Cihazın herhangi bir bileşenini çıkarmayın veya değiştirmeyin.
- Ulusal yönetmelikler gerektiyorsa gaz hortumunu değiştirilmelidir.
- Gaz besleme hortumunu bükmeyin, germeyin, sıkırtmayın veya başka bir yük uygulamayın.

Yangın tehlikesi

- Cihazı sıcakken veya kullanımdayken gözetimsiz bırakmayın.
- Bu cihazla oynamadıklarından emin olmak için, çocuklar daima gözetlenmelidir.
- Uygun bir yangın söndürücü hazır bulundurun. Yangın söndürücünün uzman personel tarafından düzenli aralıklarla kontrol edilmesini sağlayın.

Yanma tehlikesi

- Ellerinizi, yüzünüzü ve saçınızı ocak gözlerinden uzak tutun.
- Cihazı ateşlerken veya kullanırken bol giysiler giymeyin veya uzun saçların serbestçe sarkmasına izin vermeyin.
- Çocukları ve evcil hayvanları uzak tutun.
- Yanıkları veya diğer yaralanmaları önlemek için cihazın etrafındaki tüm faaliyetleri dikkatle izleyin.
- Cihazı, çalışırken hareket ettirmeyin.

Sağlık için tehlike

- Bu cihaz 8 yaşından itibaren çocuklar ile fiziksel, duyuşsal ve zihinsel engelli ve deneyimleri ile bilgileri olmayan kişiler tarafından sadece denetim altında veya cihazın güvenli olarak kullanılması ve oluşabilecek tehlikeleri anlamaları durumunda kullanılabilir.
- Bu cihazla oynamadıklarından emin olmak için, çocuklar daima gözetlenmelidir.



DİKKAT! Bu ikazlara uyulmaması hafif veya orta derecede yaralanmaya sebep olabilir.

Yaralanma tehlikesi

- Cihazın cam kapağı varsa, cam kapağın kırılması durumunda:
 - Hemen tüm ocak gözlerini ve herhangi bir elektrikli ısıtma elemanını kapatın ve cihazı güç kaynağından ayırın.
 - Cihaz yüzeyine dokunmayın.
 - Cihazı kullanmayın.



İKAZI! Hasar tehlikesi

- Cihazın cam kapağı varsa:
 - Yolculuğa başlamadan önce cam kapağı kapatın.
 - Kapağı kapatmadan önce tüm ocak gözlerini kapatın.

Sıvı gazla çalışma yaparken alınacak güvenlik önlemleri



UYARI! Bu uyarılara uyulmaması can kaybı veya ağır yaralanmaya sebep olabilir.

Patlama tehlikesi

- Kullanımdan sonra her zaman sıvı gaz tüpünü bağlantısından ayırın.
- Sıvı gaz tüplerini ısıtma veya pişirme cihazlarından ve diğer ışık veya ısı kaynaklarından uzakta, iyi havalandırılan ve çocukların ulaşamayacağı bir yerde saklayın.
- Sıvı gaz tüplerini, havalandırılmayan alanlarda veya yer seviyesinin altında (yerdeki huni şeklindeki delikler) **asla** saklamayın.
- Sıvı gaz tüplerini garaj gibi yapılarda **asla** saklamayın.
- Her türlü kapalı depolama alanı, ulusal düzenlemelere uygun olmalıdır.
- Sıvı gaz tüplerini yan tarafları üzerinde saklamayın.
- Sıvı gaz tüplerini doğrudan güneş ışığından uzak tutun. Sıcaklık 50 °C'yi geçmemelidir.

Cihazı çalıştırırken güvenlik



TEHLİKE! Bu talimatlara uyulmaması can kaybı veya ağır yaralanmaya sebep olur.

Karbon monoksit zehirlenmesi tehlikesi

- Sıvı gaz yakma işlemi, kapalı alanlarda biriken karbon monoksit üretir. Bu cihazı yalnızca yeterli havalandırma varsa kullanın.

Boğulma tehlikesi

- Cihazı havalandırılmayan bir alanda çalıştırmak, ilgili alandaki oksijen miktarını azaltır.
- Cihazı mekan ısıtıcısı olarak kullanmayın.
- Gazlı pişirme cihazının kullanılması, kurulduğu odada ısı, nem ve yanma ürünleri oluşmasına neden olur.
 - Özellikle cihaz kullanımdayken mutfağın iyi havalandırıldığından emin olun.
 - Doğal havalandırma deliklerini açık tutun veya mekanik bir havalandırma cihazı (örn. mekanik bir aspiratör) monte edin.

- Cihazın uzun süreli yoğun kullanımı, ek havalandırma, örneğin bir pencerenin açılması veya daha etkili havalandırma, örneğin varsa mekanik havalandırma seviyesinin artırılmasını gerektirebilir.



UYARI! Bu uyarılara uyulmaması can kaybı veya ağır yaralanmaya sebep olabilir.

Patlama tehlikesi

- Cihaz sızıntı yapıyorsa, hasarlıysa veya düzgün çalışmıyorsa cihazı kullanmayın.
- Cihazı aşağıdaki durumlarda asla kullanmayın:
 - Benzin istasyonlarında
 - Feribotlarda
 - Karavanı ya da mobil evi nakliye aracı veya çekici ile taşırken
- Yangın durumunda gaz beslemesini kapatın.
- Cihazın yakınına kimyasallar, yanıcı maddeler veya sprey aerosoller koymayın.
- Gaz sızıntılarını kontrol etmek için asla çıplak alev kullanmayın.
- Gaz kokusu aldığınızda:
 - Cihazı ateşlemeye çalışmayın.
 - Çıplak alevleri söndürün.
 - Gaz beslemesini kapatın.
 - Cihazı gaz beslemesinden ayırın.
 - Cihazı iç mekanlarda kullanırken camları açın ve aracı boşaltın.
 - Gaz sistemini bir uzmana kontrol ettirin.
- Gaz haznesini yalnızca açık havada, çıplak alevden, pilot alevinden veya diğer tutuşturma kaynaklarından uzakta ve yalnızca cihaz dokunulabilecek kadar soğuduğunda takın veya çıkarın.
- Gaz haznesini kullanmadan önce, bu cihaz ile gaz haznesi arasındaki contanın yerinde ve iyi durumda olduğunu kontrol edin.
- Conta hasarlı veya aşınmışsa bu cihazı kullanmayın.
- Kullandıktan sonra gaz haznesindeki gaz beslemesini kapatın.

Yangın tehlikesi

- Bu cihaz kullanım sırasında yanıcı maddelerden uzak tutulmalıdır.
- Bu cihazın üzerine veya karşısına pişirme kaplarından başka herhangi bir nesne koymayın.
- Bu cihazı asla yanıcı maddelerin (kağıt, kuru yapraklar, kumaşlar) yakınına koymayın.
- Yanıcı nesnelere ocak gözlerinden uzak tutun.

- Pişirme kabının saplarını aşağıdaki gibi konumlandırın:
 - Pişirme kabının saplarının cihazın kenarından dışarı taşmasına asla izin vermeyin.
 - Pişirme kaplarını saplarını içe doğru çevirin, ancak diğer ocak gözlerinin üstüne çıkmasına izin vermeyin.

- Katı ve sıvı yağları aşırı ısıtmayın.
- Sıcak pişirme kaplarını tutmak için sadece kuru tutacaklar kullanın.
- Pişirme kaplarını cihazdan almadan önce cihazı kapatın.
- Bu cihazı yalnızca bir yetişkinin ilgilenebileceği durumlarda çalıştırın.

Yanma tehlikesi

- Erişilebilir parçalar çok sıcak olabilir. Küçük çocukları uzak tutun.



DİKKAT! Bu ikazlara uyulmaması hafif veya orta derecede yaralanmaya sebep olabilir.

Yanma tehlikesi

- Sıcak bileşenleri tutarken koruyucu eldiven kullanın.
- Çıplak elle dokunmadan önce cihazın soğumasını bekleyin.
- Ocak gözü manuel olarak ateşlenirken:
 - Uzun kibritler veya uygun bir çakmak kullanın.
 - Ocak gözü yanar yanmaz elinizi hızla çekin.
- Alkol veya reçeteli ya da reçetesiz ilaçların kullanılması, bu cihazı doğru bir şekilde monte etme ya da güvenli bir şekilde çalıştırma yeteneğinizi olumsuz etkileyebilir.



İKAZ! Hasar tehlikesi

- Harici zamanlayıcı veya uzaktan kumanda sistemi kullanmayın.

Teslimat kapsamı

Numara şekil 1 , sayfa 3	Bileşen	Miktar
1	Pişirme kabı desteği	1
2	Fırın tepsi	1
3	Fırın ızgarası	1

Numara şekil 1 , sayfa 3	Bileşen	Miktar
4	Ocak ve gazlı fırın	1
5	Montaj braketi	2

Hedef gruplar



Gaz bağlantısının kurulumu ve montajı, gazlı cihazların yapımı, montajı ve çalıştırılması ile ilgili beceri ve bilgi sahibi olan, ilgili tehlikeleri belirlemek ve önlemek için güvenlik eğitimi almış kalifiye bir kişi tarafından gerçekleştirilmelidir.

Amacına Uygun Kullanım

Ocak ve gazlı fırın, ocak üstünde ve fırında yemek pişirmek için tasarlanmıştır.

Yalnızca CU351MK: Ocak ve gazlı fırın ek olarak ızgara yapmak için tasarlanmıştır.

Ocak ve gazlı fırın yalnızca teknede ve deniz araçlarında kullanıma yöneliktir. Kapalı alanlarda kullanım için şekil 5, sayfa 7 içeriğinde gösterilen gereksinimlerin karşılanması gerekir. 3 duvarlı durumlarda, toplam duvar alanının %30'u açık ve sınırlandırılmamış olmalıdır.

Ocak ve gazlı fırın, uçaklarda, araçlarda veya binalarda kullanılmak üzere **tasarlanmamıştır**.

Bu ürün sadece amacına uygun ve bu talimata göre kullanılmalıdır.

Bu kılavuzda ürünün doğru olarak monte edilmesi ve/veya kullanılması için gerekli bilgiler verilmektedir. Doğru yapılmayan montaj veya bakım performansının yetersiz olmasına ve olası bozukluklara neden olabilir.

Üretici, aşağıdaki durumların neden olduğu yaralanmalardan veya ürün hasarlarından sorumlu değildir:

- Yanlış montaj veya bağlantı ve aşırı voltaj
- Yanlış bakım veya üretici tarafından sağlanan orijinal yedek parçalardan başka yedek parçalar kullanılması

- Üreticisinden açıkça izin almadan cihazda değişiklikler yapılması
- Bu kılavuzda tanımlananların dışında bir amaçlar için kullanıldığında

Kampa ürünün görünümünde ve ürün özelliklerinde değişiklik yapma hakkını saklı tutar.

Teknik Açıklama

Ocak ve gazlı fırın, ocak ve fırında yemek pişirmek için kullanılabilir.

Yalnızca CU351MK: Ocak ve gazlı fırın ayrıca ızgara yapmak için kullanılabilir.

Ocak ve gazlı fırın, dalga hareketleri sırasında cihazın yerinde kalmasını sağlayan montaj braketleri ve bir pim ile sabitlenir. Cihaz, pişirme kabının ocak üzerinde sabit durmasını ve dalga hareketlerinde kaymasını engelleyen pişirme kabı desteği ile donatılmıştır.

Ocak ve gazlı fırın bir gaz tüpüne bağlanmalıdır.

CU354MK

Numara şekil 2, sayfa 4	Bileşen
1	Pişirme kabı desteği
2	Fırın ısı düğmesi
3	Fırın ızgarası
4	Fırın tepsisi
5	Fırın kapağı
6	Sağ ocak gözü ısı düğmesi
7	Sol ocak gözü ısı düğmesi

CU351MK

Numara şekil 3, sayfa 5	Bileşen
1	Pişirme kabı desteği
2	Fırın ısı düğmesi

**Numara
şekil 3, Bileşen
sayfa 5**

3	Izgara sıcaklık düğmesi
4	Izgara
5	Fırın tepsi
6	Fırın ızgarası
7	Fırın kapağı
8	Sağ ocak gözü ısı düğmesi
9	Sol ocak gözü ısı düğmesi

Isı düğmeleri

Fırının sıcaklığı ve ocak gözlerinin alev boyutu ayarlanabilir (şekil 4, sayfa 6).

Fırın sıcaklık aralıkları

Konum	1	2	3
Sıcaklık	130 °C	160 °C	180 °C

Konum	4	5	6
Sıcaklık	200 °C	220 °C	240 °C

Montaj



UYARI! Patlama tehlikesi

- Ocak ve gazlı fırını monte etmeden önce, gaz kalitesi ve basıncı ile gaz besleme regülatörlerinin ocak ve gazlı fırın ile uyumlu olduğundan emin olun. Ocak ve gazlı fırın için cihaz bilgi etiketindeki gaz yönetmeliği spesifikasyonuna ve bölüm «Teknik Bilgiler» sayfa 196 içeriğindeki spesifikasyonlara uyun.
- Ocak ve gazlı fırın bir davlumbaza bağlı değildir. Ocak ve gazlı fırını geçerli montaj yönetmeliklerine uygun olarak kurun.

Montaj yeri seçimi

Ocak ve gazlı fırının monte edileceği yeri seçerken aşağıdaki talimatlara uyun:

- Ocağı ve gazlı fırını açık havada veya şekil 5, sayfa 7 içeriğinde gösterilen gereklilikleri karşılayan kapalı bir alana yerleştirin.
- Bu alan iyi havalandırılmalıdır.
- Ocak ve gazlı fırını herhangi bir gaz birikmesini önlemek için çukur bir yere koymayın.
- Ocak ve gazlı fırını rüzgardan ve doğrudan hava akımlarından koruyun.
- Zemin sağlam, düz ve sabit olmalıdır.
- Gövde ve ızgara bölümü çalışma sırasında çok ısınır. Ocak ve gazlı fırın, en az 80 °C'lik ısıya dayanabilecek bir taban üzerinde durmalıdır.

Gaz tüpüne bağlantı

Ocak ve gazlı fırın, kullanıldığı ülkede bulunan ticari gaz tüpleri ile çalıştırılır (şekil 6, sayfa 8).

Gaz tüpleri aşağıdaki koşulları karşılamalıdır:

- Gaz tüpü her zaman kendisi için öngörülen bölmeye yerleştirilmelidir.
- Gaz tüpü her zaman dikey olarak yerleştirilmelidir.
- Gaz tüpü, kolayca erişilebilen ve üzeri kapatılmalı bir basınç regülatörü ile donatılmış olmalıdır.

Gaz kaynağı cihaza sızdırmaz bağlantılara sahip sert metal borularla bağlanmalıdır. Esnek bir hortum kullanılıyorsa, aşağıdaki koşullar karşılanmalıdır:

- Hortum, inceleme amacıyla kolayca erişilebilir olmalıdır.
- Hortumun ısınan diğer parçalarla temas etmesi engellenmelidir.
- Hortum hasara karşı korunmalıdır.
- Hortum, çekmece gibi hareketli parçalar nedeniyle sıkışmaya karşı korunmalıdır.
- Hortum 1,5 m' den uzun olmamalıdır.
- Hortum, son kullanma tarihinden önce değiştirilmelidir.

- Gaz tüpünün borusunu veya hortumunu ocağa ve gazlı fırına bağlayın (şekil 7 ile şekil 8, sayfa 9).

Hortum, gaz sızdırmazlığının sağlanması için ayarlanabilir anahtar gibi uygun bir anahtar kullanılarak sıkılmalıdır.

2. Köpüren bir madde kullanarak gaz hortumunu veya borusunu sızıntıya karşı kontrol edin, örneğin sabun.



UYARI! Patlama tehlikesi

Gaz kaynağında sızıntı olup olmadığını kontrol etmek için alev veya aşındırıcı sıvı kullanmayın.

Ocak ve gazlı fırının montajı

1. Duvarlardan ve diğer dolaplardan yeterli mesafe bırakıldığından emin olun (bkz. şekil 9, sayfa 10).
2. Ocak ve gazlı fırını şekil 10 ile şekil 11, sayfa 11 içeriğinde gösterildiği şekilde monte edin.

Kullanım



UYARI! Patlama tehlikesi

- Gaz beslemesi açılır açılmaz ocak gözlerini ateşleyin. Aksi takdirde ocak gözü bölgesinde gaz birikebilir ve patlamaya neden olabilir.
- Ateşleme sürecinin tamamı yukarıdan görülebilmelidir ve ocak üzerine yerleştirilmiş pişirme kapları tarafından engellenmemelidir.



İKAZ! Hasar tehlikesi

Yalnızca CU351MK: Izgarayı 25 dakikadan fazla kullanmayın.



NOT

- Ocak ve gazlı fırının çalışması sırasında, dışarı çıkan gazdan kaynaklanan hafif bir ses duyulabilir.
- Ocak ve gazlı fırını ilk kez kullanırken duman çıkabilir. Bu, yanan makine yağı birikintilerinden kaynaklanır, koku yaklaşık 10 dakika sonra geçer.
- **Yalnızca CU351MK:** Izgara, fırın olarak kullanılamaz.
- Propan (G31) kullanıldığında alevin rengi mavidir ve sarı alev uçları olmaz.
- Bütan (G30) kullanıldığında ateşlendikten sonra alev yine mavi renklidir ancak sarı alev uçları olur. Ocak gözü ısındıkça sarı alev uçları daha yoğun hale gelir.

Ocak gözünü ateşleme

- Ocağı, şekil 12 (1) sayfa 12 ve şekil 13, sayfa 13'te gösterildiği gibi ateşleyin.
- **Yalnızca CU351MK:** Izgarayı, şekil 12 (2) sayfa 12 ve şekil 14, sayfa 14'te gösterildiği gibi ateşleyin.
- Fırını, şekil 12 (3) sayfa 12 ve şekil 15, sayfa 15'te gösterildiği gibi ateşleyin.

Ocak gözlerinin ayarlanması



İKAZ! Hasar tehlikesi

Fırın tepsisinin, fırın ızgarasının ve pişirme kabının fırın içindeki alevlerle temas etmemesine dikkat edin.



NOT

- Fırını ilk kez ateşledikten sonra, ayarlamadan önce fırını en az 30 dakika en yüksek ısıda bırakın.
 - Ocağı ilk kez ateşledikten sonra, ayarlamadan önce ilgili ocak gözü alevini 15 – 20 dakika boyunca en yüksek alev boyutunda bırakın.
- İlgili ısı kontrolünü istenen ısıya veya alev boyutuna ayarlayın (bkz. bölüm «Isı düğmeleri» sayfa 191 ve bölüm «Fırın sıcaklık aralıkları» sayfa 191).
- ✓ Fırının yanma donanımı ateşlendiğinde en yüksek alev düzeyinde kalır. Fırın ayarlanan ısıya ulaştığında, alev otomatik olarak daha düşük bir aleve döner.

Ocağın kullanımı



UYARI! Yangın tehlikesi

Alev, pişirme kabının kenarından taşmalıdır. Pişirme kabını ocak gözünün üzerinde ortalayın ve pişirme kabı desteğini kullanarak güvenli durmasını sağlayın.

- Uygun bir pişirme kabı kullandığınızdan emin olun. Ocak gözü ve pişirme kabı çaplarına dikkat edin:

Ocak gözü çapı	Pişirme kabı çapı
Ø 62 mm	16 – 22 cm
Ø 77 mm	16 – 22 cm

- Pişirme kabı desteğindeki düğmeleri kullanarak pişirme kabını pişirme kabı desteğine sabitleyin. (bkz. şekil 16, sayfa 16).

Izgaranın kullanımı (yalnızca CU351MK)



DİKKAT! Yanma tehlikesi

- Düğmelerin izgara tarafından ısıtılmasını önlemek için ısı kalkanını dışarı çekin.
- Izgara çalıştırılırken ve çalıştırdıktan sonra ısı kalkanı çok sıcaktır. Isı kalkanına dokunurken koruyucu eldiven takın.

- Isı kalkanını şekil 17, sayfa 16'da gösterildiği gibi kullanın.

Ocak ve gazlı fırının kapatılması

- Ocak ve gazlı fırını şekil 18, sayfa 17'de gösterildiği gibi kapatın.

Enerji tasarrufu

- Kullandıktan sonra ocağı ve gazlı fırını kapatın (bkz. bölüm «Ocak ve gazlı fırının kapatılması» sayfa 193).
- Fırını kullanırken fırın kapağını kapatın.

Temizlik ve bakım



UYARI! Patlama tehlikesi

Gaz kaynağında sızıntı olup olmadığını kontrol etmek için alev veya aşındırıcı sıvı kullanmayın.



DİKKAT! Yanma tehlikesi

Ocak ve gazlı fırın çalışırken ve çalışma sonrasında çok sıcaktır. Ocağı ve gazlı fırını kapatın. Temizlemeden, paketlemeden veya taşımadan önce ocağın ve gazlı fırının soğumasını bekleyin.



İKAZ! Hasar tehlikesi

- Ocağı ve gazlı fırını temizlemek için aşındırıcı, paslandırıcı, klorlu ve kaba temizlik maddeleri veya fırçalar kullanmayın.
- Buharlı temizleyiciler kullanmayın.
- Gaz devresini temizlemek için basınçlı hava kullanmayın.
- Sirke, tuz, sitrik asit veya diğer asidik veya alkalın maddeleri ocak ve gazlı fırından uzak tutun.

- Ocağı ve gazlı fırını nötr temizlik maddeleri kullanarak nemli bir bezle temizleyin (şekil 19, sayfa 17).
- Fırın yanma donanımını şekil 20, sayfa 18'de gösterildiği gibi suyla temizleyin.
- Gaz enjektörlerini temizlemek veya değiştirmek için yetkili bir servis merkeziyle iletişime geçin.

Ocak gözlerinin bakımı



UYARI! Yangın tehlikesi

Ocak gözlerinin içine örümcekler ağ olabilir ve böcekler yuva yapabilir. Ağlar ve yuvalar gaz akışını engelleyebilir ve yangına neden olabilir. Ocak gözlerindeki böcekleri, örümcekleri, yuvaları veya ağları temizleyin.

1. Ocak gözlerini, ayda iki kez ağ ve yuva bakımından kontrol edin.
2. Gerekirse, ocak gözlerindeki böcekleri, örümcekleri, yuvaları ve ağları temizleyin.

Gaz tüpünün değiştirilmesi



UYARI! Sağlık için tehlike

- Gaz tüpünü iyi havalandırılan bir alanda değiştirin.
- Bu alanda açık alev olmadığından emin olun.
- Gaz tüpünü sadece ocak ve gazlı fırın kapalıyken değiştirin.

1. Gaz tüpünün üzerindeki gaz vanasını kapatın.
2. Regülatörü gaz tüpünden sökün.
3. Eğer gaz hortumu kullanılıyorsa, hortumun arızalı olmadığından emin olun.

4. Gerekirse hortumu deęiřtirin (bkz. bölüm «Hortumun deęiřtirilmesi» sayfa 194).
5. Regülatörü yeni gaz tüpüne elle vidalayın.

4. Regülatörü gaz tüpüne elle vidalayın.
5. Köpüren bir madde kullanarak gaz hortumunu sızıntıya karşı kontrol edin, örneęin sabun.

Hortumun deęiřtirilmesi



UYARI! Saęlık için tehlike

- Hortumu iyi havalandırılan bir alanda deęiřtirin.
- Bu alanda açık alev olmadığından emin olun.
- Hortumu sadece ocak ve gazlı fırın kapalıyken deęiřtirin.

1. Gaz tüpünün üzerindeki gaz vanasını kapatın.
2. Regülatörü gaz tüpünden sökün.
3. Gaz hortumunu deęiřtirin.

Depolama



UYARI! Yanma tehlikesi

Ocak ve gazlı fırın çalıřırken ve çalıřma sonrasında çok sıcaktır. Ocaęı ve gazlı fırını kapatın. Paketlemeden veya taşımadan önce ocaęın ve gazlı fırının soęumasını bekleyin.

1. Gaz tüpünün üzerindeki gaz vanasını kapatın.
2. Ocaęı ve gazlı fırını temizleyin (bkz. bölüm «Temizlik ve bakım» sayfa 193).

Arızaların Giderilmesi

Arıza	Olası nedeni	Giderilmesi
Cihaz ateřlenmiyor.	Yanlıř gaz kullanılmıř.	<ul style="list-style-type: none">▶ Uygun gaz kullandığınızdan emin olun. Ocak ve gazlı fırın cihaz bilgi etiketindeki gaz yönetmelięi spesifikasyonuna ve bölüm «Teknik Bilgiler» sayfa 196 içerięindeki spesifikasyonlara uyun.▶ Gerekirse gaz tüpünü deęiřtirin (bkz. bölüm «Gaz tüpünün deęiřtirilmesi» sayfa 193).
Gaz tüpü boş.		<ul style="list-style-type: none">▶ Gaz tüpünü deęiřtirin (bkz. bölüm «Gaz tüpünün deęiřtirilmesi» sayfa 193).
Hortum arızalı.		<ul style="list-style-type: none">▶ Hortumu deęiřtirin (bkz. bölüm «Hortumun deęiřtirilmesi» sayfa 194).
Bir arıza veya zayıf baęlantılar mevcut.		<ul style="list-style-type: none">▶ Boruyu veya hortumu yeniden baęlayın (bölüm «Gaz tüpüne baęlantı» sayfa 191).▶ Gerekirse, gaz beslemesini kapatın ve yetkili servis personeliyle iletiřime geçin.
Termokupl arızalı.		<ul style="list-style-type: none">▶ Gaz beslemesini kapatın ve yetkili servis personeliyle iletiřime geçin.
Ocak ve gazlı fırın arızalı.		

Arıza	Olası nedeni	Giderilmesi
Ocak gözleri ateşlenmiyor.	Kıvılcım oluşmuyor.	► İlgili ocak gözünün düğmesini en düşük seviyeye getirin ve ocak gözünü çalıştırın (bkz. bölüm «Ocak gözünü ateşleme» sayfa 192).
Fırın ateşlenmiyor.	Kıvılcım oluşmuyor.	► Fırını 1 dakika kapatın. ► Fırını çalıştırın (bkz. bölüm «Ocak gözlerinin ayarlanması» sayfa 192).
Yalnızca CU351MK: Izgara ateşlenmiyor.	Kıvılcım oluşmuyor.	► Izgarayı 1 dakika kapatın. ► Izgarayı çalıştırın (bkz. bölüm «Ocağın kullanımı» sayfa 192).

Garanti

Yasal garanti süresi geçerlidir. Ürün kusurluysa lütfen satıcınızla veya üreticinin ülkenizdeki şubesiyle iletişime geçin (bkz. dometic.com/dealer).

Onarım ve garanti işlemleri için, ürünü aşağıdaki dokümanlarla birlikte gönderin:

- Satın alma tarihini içeren faturanın bir kopyası
- Talebinizin nedeni veya hatanın açıklanması


Kendi kendine onarımın veya profesyonel olmayan onarımın güvenlikle ilgili sonuçları olabileceğini ve garantiyi geçersiz kılabileceğini unutmayın.

Atık İmhası



- Ambalaj malzemesini mümkünse ilgili geri dönüşüm atık sistemine kazandırın.
- Ürünün yürürlükteki imha yönetmeliklerine göre nasıl imha edileceğine ilişkin ayrıntılar için yerel bir geri dönüşüm merkezine veya uzman satıcıya danışın.

Teknik Bilgiler

	CU351MK	CU354MK
Toplam nominal güç	6,4 kW, 466 g/h	5,1 kW, 371 g/h
Nominal güç, fırın	1,1 kW, 89 g/h	
Nominal güç, ızgara	1,3 kW, 95 g/h	-
Nominal güç, ocak		
Sol ocak gözü	2,2 kW, 160 g/h	
Sağ ocak gözü	1,8 kW, 131 g/h	
Tutuşma hava hacmi	12,8 m ³ /h	10,2 m ³ /h
Bağlantı basıncı	şekil 6 , sayfa 8	
Boyutlar (Y x G x D)	508 x 450 x 358 mm	398 x 449 x 357 mm
Ağırlık	18,50 kg	15,50 kg
Ocak gözü boyutları		
Sol ocak gözü	Ø 62 mm	
Sağ ocak gözü	Ø 70 mm	
Sertifikalar		

Pozorno preberite in upoštevajte vsa navodila, smernice in opozorila iz tega priročnika, da zagotovite pravilno vgradnjo, uporabo in vzdrževanje izdelka. Ta navodila je TREBA hraniti skupaj z izdelkom.

Z uporabo izdelka potrjujete, da ste pozorno prebrali vsa navodila, smernice in opozorila ter razumete in upoštevate vsa določila ter pogoje v tem dokumentu. Strinjate se, da boste izdelek uporabljali samo za predvideni namen uporabe in v skladu z navodili, smernicami in opozorili in tem priročniku ter v skladu z vsemi veljavnimi zakoni in predpisi. Če navodil in opozoril v nadaljevanju ne preberete in ne upoštevate, lahko poškodujete sebe in druge, svoj izdelek ali povzročite materialno škodo v bližini. Pridržujemo si pravico do sprememb in posodobitev priročnika, vključno z navodili, smernicami in opozorili ter povezavo dokumentacijo. Za najnovejše informacije o izdelku obiščite documents.dometic.com.

Kazalo

Razlaga simbolov	197
Varnostni napotki	197
Obseg dobave.	200
Ciljne skupine.	200
Predvidena uporaba	200
Tehnični opis	200
Namestitev	201
Uporaba	202
Varčevanje z energijo	203
Čiščenje in vzdrževanje	203
Shranjevanje.	204
Odpravljanje težav.	205
Garancija	205
Odstranjevanje.	206
Tehnični podatki	206

Razlaga simbolov



OPOZORILO!

Varnostni napotki: Označuje nevarno situacijo, ki lahko povzroči smrt ali hude poškodbe, če ni preprečena.



POZOR!

Varnostni napotki: Označuje nevarno situacijo, ki lahko povzroči lažje ali zmerne poškodbe, če ni preprečena.



OBVESTILO!

Označuje nevarno situacijo, ki lahko povzroči materialno škodo, če ni preprečena.



NASVET

Dodatne informacije za upravljanje izdelka.

Varnostni napotki

Uvodne pombe

- Pred namestitvijo preverite združljivost lokalnih dobavnih pogojev (vrsto plina in tlak plina) in nastavitve naprave.
- Nastavitveni pogoji za to napravo so navedeni na nalepki (ali podatkovni ploščici).
- Naprava ni priključena na napravo za odvajanje proizvodov zgorevanja. Namestiti in priključiti jo je treba v skladu z veljavnimi namestitvenimi predpisi. Posebno pozornost je treba nameniti veljavnim zahtevam glede prezračevanja.

Osnovna varnost



OPOZORILO! Neupoštevanje teh opozoril lahko povzroči smrt ali hude poškodbe.

Nevarnost eksplozije

- Vsa popravila na tej napravi naj izvaja samo ustrezno usposobljeno osebje. Neustrezna popravila lahko povzročijo resne nevarnosti.
- Napravo je treba namestiti v skladu z nacionalnimi predpisi, ki veljajo v državi uporabe.
- Napravo je dovoljeno uporabljati samo v dobro prezračenem prostoru.
- Preberite navodila, preden napravo namestite ali začnete uporabljati.
- Naprave ne spreminjajte.
- Komponente naprave ne smete odstraniti ali zamenjati.
- Gibko cev za plin je treba zamenjati, če tako določajo nacionalni predpisi.
- Gibke cevi za plin ne zvijajte, raztezajte, stiskajte ali je ne izpostavljajte drugim obremenitvam.

Nevarnost požara

- Naprave ne puščajte brez nadzora, ko je vroča ali med uporabo.

- Otroke je treba nadzorovati in tako zagotoviti, da se z napravo ne bodo igrali.
- Pri roki morate imeti primeren gasilni aparat. Poskrbite, da bo gasilni aparat v rednih intervalih pregledalo usposobljeno osebje.

Nevarnost opeklin

- Rok, obraza in las ne približujte gorilnikom.
- Med prižiganjem ali uporabo naprave ne nosite ohlapnih oblačil, dolge lase pa spnite.
- Otroke in živali držite stran.
- Previdno nadzorujte vse dejavnosti v bližini naprave, da preprečite opeklino ali druge poškodbe.
- Med obratovanjem naprave ne premikajte.

Nevarnost za zdravje

- To napravo smejo uporabljati otroci, ki so starejši od 8 let, in osebe z zmanjšanimi fizičnimi, zaznavnimi ali duševnimi sposobnostmi ali s pomanjkljivimi izkušnjami in znanjem, če so nadzorovani ali so prejeli navodila glede varne uporabe naprave in razumejo s tem povezana tveganja.
- Otroke je treba nadzorovati in tako zagotoviti, da se z napravo ne bodo igrali.



POZOR! Neupoštevanje teh svaril lahko povzroči lažje ali srednje poškodbe.

Nevarnost poškodb

- Če ima naprava steklen pokrov, v primeru zloma steklenega pokrova:
 - Takoj izklopite vse gorilnike in električne grelne elemente ter napravo odklopite od napajanja.
 - Ne dotikajte se površine naprave.
 - Naprave ne uporabljajte.



OBVESTILO! Nevarnost poškodb

- Če ima naprava steklen pokrov:
 - Pred začetkom vožnje zaprite steklen pokrov.
 - Preden zaprete steklen pokrov, izklopite vse gorilnike.

Varnostni ukrepi pri delu z utekočinjenim plinom



OPOZORILO! Neupoštevanje teh opozoril lahko povzroči smrt ali hude poškodbe.

Nevarnost eksplozije

- Po uporabi vedno odklopite jeklenko z utekočinjenim plinom.
- Jeklenke z utekočinjenim plinom hranite v stran od naprav za ogrevanje ali kuhanje in drugih virov svetlobe ali toplote v dobro prezračevanem območju izven dosega otrok.
- Jeklenk z utekočinjenim plinom **nikoli** ne shranjujte na neprezračeni mestih ali pod nivojem tal (lijakaste kotanje).
- Jeklenk z utekočinjenim plinom **nikoli** ne hranite v zgradbah, kot so garaže.
- Vsi notranji prostori za shranjevanje morajo biti v skladu z nacionalnimi predpisi.
- Jeklenk z utekočinjenim plinom ne hranite na boku.
- Jeklenke z utekočinjenim plinom zaščitite pred neposredno sončno svetlobo. Temperatura ne sme preseči 50 °C.

Varnost pri delovanju naprave



NEVARNOST! Neupoštevanje teh navodil povzroči smrt ali hude poškodbe.

Nevarnost zastrupitve z ogljikovim monoksidom

- Pri zgorevanju tekočega plina nastaja ogljikov monoksid, ki se kopiči v zaprtih prostorih. Napravo uporabljajte le ob zadostnem prezračevanju.

Nevarnost zadužitve

- Zaradi delovanja naprave v neprezračeni območju se bo zmanjšala količina kisika v tem območju.
- Naprave ne uporabljajte za ogrevanje prostorov.

- Pri uporabi plinske kuhalne naprave nastajajo toplota, vlaga in produkti zgorevanja v prostoru, v katerem je nameščena.
 - Zagotovite, da bo kuhinja dobro prezračevana, zlasti ko je naprava v uporabi.
 - Prezračevalne odprtine morajo biti odprte ali pa namestite mehansko prezračevalno napravo (npr. mehansko kuhinjsko napo).
- Pri dolgotrajni intenzivni uporabi naprave bo morda potrebno dodatno prezračevanje, na primer odprto okno, ali učinkovitejše prezračevanje, na primer močnejše mehansko prezračevanje, če je na voljo.



OPOZORILO! Neupoštevanje teh opozoril lahko povzroči smrt ali hude poškodbe.

Nevarnost eksplozije

- Naprave ne uporabljajte, če pušča, je poškodovana ali ne deluje pravilno.
- Naprave ne uporabljajte v naslednjih primerih:
 - na bencinskih črpalkah,
 - na trajektih,
 - med transportom prikolice ali avtodoma s transportnim ali vlečnim vozilom.
- V primeru požara zaprite dovod plina.
- V bližino naprave ne nameščajte kemikalij, vnetljivih materialov ali razpršil.
- Za preverjanje uhajanja plina nikoli ne uporabljajte odprtega plamena.
- Če zavohate plin:
 - Naprave ne poskušajte prižgati.
 - Odprte plamene pogasite.
 - Zaprite dovod plina.
 - Napravo odklopite od dovoda plina.
 - Če napravo uporabljate v zaprtih prostorih, odprite okna in zapustite vozilo.
 - Plinsko napeljavo naj pregleda strokovnjak.
- Plinsko jeklenko priključite ali odstranite le na prostem, stran od odprtega plamena, indikatorja plamena ali drugega vira vžiga, in le takrat, ko je naprava hladna na dotik.
- Pred uporabo plinske jeklenke preverite, ali je tesnilo med napravo in plinsko jekleno nameščeno in v dobrem stanju.
- Če je tesnilo poškodovano ali obrabljeno, naprave ne uporabljajte.
- Po uporabi zaprite dovod plina na plinski jeklenki.

Nevarnost požara

- Naprava mora biti med uporabo odmaknjena od vnetljivih materialov.
- Na napravo ali ob njo ne postavljajte nobenih predmetov, razen posode za kuhanje.
- Naprave ne približujte vnetljivim materialom (papirju, suhim listom, tekstilu).
- Vnetljive predmete hranite v stran od gorilnika.
- Ročaje posode za kuhanje namestite na naslednji način:
 - Ročaji posode za kuhanje ali ponev ne smejo gledati čez rob naprave.
 - Ročaje posode za kuhanje in ponev obrnite navznoter, vendar ne čez druge gorilnike.
- Masti ali olja ne segrevajte pretirano.
- Za prijetanje vročih posod za kuhanje uporabljajte samo suhe prijemalke za lonce.
- Napravo izklopite, preden odstranite posodo za kuhanje.
- Napravo uporabljajte samo, če jo lahko nadzoruje odrasla oseba.

Nevarnost opeklín

- Dostopni deli so lahko zelo vroči. Male otroke držite stran.



POZOR! Neupoštevanje teh svaril lahko povzroči lažje ali srednje poškodbe.

Nevarnost opeklín

- Za prijetanje vročih komponent uporabite zaščitne rokavice.
- Preden se naprave dotaknete z golimi rokami, počakajte, da se ohladi.
- Za ročni vžig gorilnika:
 - Uporabite dolge vžigalice ali primeren vžigalnik.
 - Roke hitro odstranite, ko je gorilnik vžgan.
- Alkohol ali zdravila na recept ali brez recepta lahko poslabšajo vaše sposobnosti za pravilno sestavljanje ali varno uporabo te naprave.



OBVESTILO! Nevarnost poškodb

- Ne uporabljajte zunanjšega časovnika ali daljnjskega upravljalnega sistema.

Obseg dobave

Št. na sl. 1, stran 3	Sestavni del	Količina
1	Opora za posodo za kuhanje	1
2	Pekač	1
3	Rešetka	1
4	Kuhališče in plinska pečica	1
5	Nosilec	2

Ciljne skupine



Plinski priključek mora sestaviti in montirati usposobljena oseba, ki je dokazala spretnosti in znanje glede sestave, montaže in delovanja plinskih naprav ter je opravila varnostno usposabljanje za prepoznavanje in preprečevanje nevarnosti.

Predvidena uporaba

Kuhališče in plinska pečica sta predvidena za kuhanje in pečenje hrane.

Samo CU351MK: Kuhališče in plinska pečica sta dodatno predvidena za pripravo hrane na žaru.

Kuhališče in plinska pečica sta predvidena samo za uporabo na čolnih in ladjah. Za uporabo v zaprtih prostorih morajo biti izpolnjene zahteve, ki so prikazane na sl. 5, stran 7. V prostorih s 3 stenami mora biti 30 % skupne površine sten odprte in neomejene.

Kuhališče in plinska pečica **nista** predvidena za uporabo na krovu, v vozilih ali zgradbah.

Ta izdelek je primeren samo za predvideni namen in uporabo v skladu s temi navodili.

V tem priročniku so navedene informacije, ki jih je treba upoštevati za pravilno vgradnjo in/ali delovanje izdelka. Aparat zaradi slabe vgradnje in/ali nepravilne uporabe oziroma vzdrževanja ne bo dobro deloval in se lahko pokvari.

Proizvajalec ne sprejema nobene odgovornosti za telesne poškodbe ali poškodbe izdelka, do katerih pride zaradi:

- napačne vgradnje ali priklopa oziroma neustrezne napetosti;
 - neustreznih vzdrževalnih del ali uporabe neoriginalnih nadomestnih delov, ki jih ni dobavil proizvajalec;
 - sprememb izdelka brez izrecnega dovoljenja proizvajalca;
 - uporabe za namene, ki niso opisani v navodilih.
- Družba Kampa si pridržuje pravico do spremembe videza in specifikacij izdelka.

Tehnični opis

Kuhališče in plinska pečica sta predvidena za kuhanje in pečenje.

Samo CU351MK: Kuhališče in plinska pečica sta dodatno predvidena za pripravo hrane na žaru.

Kuhališče in plinska pečica sta pritrjena z montažnimi nosilci in zatičem, ki zagotavljajo, da naprava med valovanjem ostane na mestu.

Naprava je opremljena z oporo, ki zagotavlja, da posoda za kuhanje trdno stoji na kuhališču in med valovanjem ne zdrsne.

Kuhališče in plinsko pečico je treba priključiti na plinsko jeklenko.

CU354MK

Št. na sl. 2, stran 4	Sestavni del
1	Opora za posodo za kuhanje
2	Gumb za nastavitev temperature pečice
3	Rešetka
4	Pekač
5	Vrata pečice

Št. na
sl. **2**,
stran 4

Sestavni del

6	Gumb za nastavitev temperature desnega gorilnika
7	Gumb za nastavitev temperature levega gorilnika

CU351MK

Št. na
sl. **3**,
stran 5

Sestavni del

1	Opora za posodo za kuhanje
2	Gumb za nastavitev temperature pečice
3	Gumb za nastavitev temperature žara
4	Žar
5	Pekač
6	Rešetka
7	Vrata pečice
8	Gumb za nastavitev temperature desnega gorilnika
9	Gumb za nastavitev temperature levega gorilnika

Gumbi za nastavljanje temperature

Temperaturo pečice in velikost plamena gorilnikov je mogoče regulirati (sl. **4**, stran 6).

Temperaturna območja pečice

Položaj	1	2	3
Temperatura	130 °C	160 °C	180 °C

Položaj	4	5	6
Temperatura	200 °C	220 °C	240 °C

Namestitev



OPOZORILO! Nevarnost eksplozije

- Pred namestitvijo kuhališča in plinske pečice se prepričajte, da so kakovost in tlak plina ter regulatorji dovoda plina združljivi s kuhališčem in plinsko pečico. Upoštevajte specifikacije o regulaciji plina za kuhališče in plinsko pečico na podatkovni ploščici in specifikacije v poglavju pogl. „Tehnični podatki“ na strani 206.
- Kuhališče in plinska pečica nista priključena na dimno napo. Kuhališče in plinsko pečico namestite v skladu z veljavnimi predpisi za namestitev.

Izbiranje mesta za namestitev

Pri izbiri mesta za namestitev kuhališča in plinske pečice upoštevajte naslednja navodila:

- Kuhališče in plinsko pečico namestite na prostem ali v zaprt prostor, ki izpolnjuje zahteve v skladu s sl. **5**, stran 7.
- Mesto mora biti dobro prezračevano.
- Kuhališča in plinske pečice ne postavljajte v vdolbine, da se tam ne bi nabirali plini.
- Kuhališče in plinsko pečico zaščitite pred vetrom in neposrednim preprihom.
- Tla morajo biti trdna, ravna in stabilna.
- Ohišje in omarica žara se med delovanjem zelo segrejeta. Kuhališče in plinska pečica morata stati na podlagi, ki je odporna vsaj na temperaturo 80 °C.

Priključitev na plinsko jeklenko

Kuhališče in plinska pečica delujeta na standardne plinske jeklenke, ki so na voljo v državi, v kateri se uporabljata (sl. **6**, stran 8).

Plinska jeklenka mora izpolnjevati naslednje pogoje:

- Plinska jeklenka mora biti vedno nameščena v za njo predvidenem predelku.
- Plinska jeklenka mora vedno stati pokončno.

- Plinska jeklenka mora biti opremljena z regulatorjem tlaka, ki je lahko dostopen in ni pokrit.

Dovod plina, ki je priključen na napravo, mora biti toga kovinska cev z zatesnjenimi priključki. Če je uporabljena gibka cev, morajo biti izpolnjeni naslednji pogoji:

- Gibka cev mora biti lahko dostopna za pregled.
- Gibka cev mora biti zaščiten pred stikom z drugimi deli, ki se segrevajo.
- Gibka cev mora biti zaščiten pred poškodbami.
- Gibka cev mora biti zaščiten, da je ne stisnejo premikajoči se deli, kot so predali.
- Gibka cev ne sme biti daljša od 1,5 m.
- Gibko cev je treba zamenjati pred iztekom roka uporabe.

1. Priključite cev ali gibko cev plinske jeklenke na kuhališče in plinsko pečico (sl. **7** do sl. **8**, stran 9).
Gibko cev je treba zategniti z ustreznim ključem, na primer z nastavljivim ključem, da bo nepropustna za plin.

2. S penilnim sredstvom, npr. milom, preverite, ali plinska gibka cev ali cev pušča.



OPOZORILO! Nevarnost eksplozije

Ne uporabljajte plamena ali jedke tekočine za preverjanje uhajanja plina.

Montaža kuhališča in plinske pečice

1. Zagotovite zadostno razdaljo od sten in drugih omaric (glejte sl. **9**, stran 10).
2. Namestite kuhališče in plinsko pečico, kot je prikazano na sl. **10** do sl. **11**, stran 11.

Uporaba



OPOZORILO! Nevarnost eksplozije

- Gorilnike vžgite takoj, ko vklopite dovod plina. Sicer se lahko plin nabere pred gorilnikom in povzroči eksplozijo.
- Celoten postopek vžiga mora biti viden od zgoraj in ga ne sme zakrivati posoda za kuhanje na kuhališču.



OBVESTILO! Nevarnost poškodb

Samo CU351MK: Žara ne uporabljajte dlje kot 25 minut.



NASVET

- Med delovanjem kuhališča in plinske pečice lahko slišite tiho šumenje, ki nastane zaradi uhajanja plina.
- Pri prvi uporabi kuhališča in plinske pečice se lahko pojavi dim. To je posledica izgorevanja usedlin strojnega olja in preneha po približno 10 minutah.
- **Samo CU351MK:** Žara ni mogoče uporabljati kot pečico.
- Pri uporabi propana (G31) je plamen modre barve brez rumenih vrhov.
- Pri uporabi butana (G30) je plamen ob vžigu modre barve z rumenimi vrhovi. Rumeni vrhovi postanejo intenzivnejši, ko se gorilnik segreje.

Vžig gorilnikov

► Kuhališče vžgite, kot je prikazano na sl. **12** (1) stran 12 in sl. **13**, stran 13.

► **Samo CU351MK:** Žar vžgite, kot je prikazano na sl. **12** (2) stran 12 in sl. **14**, stran 14.

► Pečico vžgite, kot je prikazano na sl. **12** (3) stran 12 in sl. **15**, stran 15.

Reguliranje gorilnikov



OBVESTILO! Nevarnost poškodb

Zagotovite, da pekač, rešetka in posoda za kuhanje ne pridejo v stik s plamenom v pečici.



NASVET

- Po prvem vžigu pečice pustite pečico delovati na najvišji temperaturi vsaj 30 minut, preden jo regulirate.
- Po prvem vžigu kuhališča pustite plamen kuhališča delovati z največjo velikostjo plamena vsaj 15 do 20 minut, preden ga regulirate.

► Nastavite ustrezen regulator temperature na zeleno temperaturo ali velikost plamena (glejte pogl. „Gumbi za nastavljanje temperature“ na strani 201 in pogl. „Temperaturna območja pečice“ na strani 201).

- ✓ Ko je gorilnik pečice vžgan, ostane nastavljen največji plamen. Ko pečica doseže nastavljeno temperaturo, se plamen samodejno povrne na manjši plamen.

Uporaba kuhališča



OPOZORILO! Nevarnost požara

Plamen ne sme segati čez rob posode za kuhanje. Posodo za kuhanje postavite v sredino nad gorilnik in jo varno namestite z oporo za posodo za kuhanje.

- Uporabite primerno posodo za kuhanje. Upoštevajte premere gorilnika in posode za kuhanje:

Premer gorilnika	Premer posode za kuhanje
Ø 62 mm	16 – 22 cm
Ø 77 mm	16 – 22 cm

- Posodo za kuhanje pritrdite v oporo z gumboma na opori za posodo za kuhanje (glejte sl. 16, stran 16).

Uporaba žara (samo CU351MK)



POZOR! Nevarnost opeklin

- Izvlecite toplotno zaščito, da zaščitite gumbe pred segrevanjem zaradi žara.
- Toplotna zaščita je med delovanjem žara in po njem zelo vroča. Ko se dotikate toplotne zaščite, nosite zaščitne rokavice.

- Toplotno zaščito uporabljajte, kot prikazuje sl. 17, stran 16.

Izklop kuhališča in plinske pečice

- Kuhališče in plinsko pečico izklopite, kot prikazuje sl. 18, stran 17.

Varčevanje z energijo

- Kuhališče in plinsko pečico po uporabi izklopite (glejte pogl. „Izklop kuhališča in plinske pečice“ na strani 203).
- Med uporabo pečice zaprite vrata pečice.

Čiščenje in vzdrževanje



OPOZORILO! Nevarnost eksplozije

Ne uporabljajte plamena ali jedke tekočine za preverjanje uhajanja plina.



POZOR! Nevarnost opeklin

Kuhališče in plinska pečica sta med delovanjem in po njem zelo vroči. Izklopite kuhališče in plinsko pečico. Pred čiščenjem, pakiranjem ali prevozom počakajte, da se kuhališče in plinska pečica ohladita.



OBVESTILO! Nevarnost poškodb

- Za čiščenje kuhališča in plinske pečice ne uporabljajte abrazivnih, jedkih, kloriranih in grobih čistil ali krtač.
- Ne uporabljajte parnih čistilnikov.
- Za čiščenje plinske napeljave ne uporabljajte stisnjene zraka.
- S kuhališča in plinske pečice odstranite kis, soli, citronsko kislino ali druge kisle ali alkalne snovi.

- Kuhališče in plinsko pečico očistite z vlažno krpo z nevtralnimi čistili (sl. 19, stran 17).
- Gorilnik pečice očistite z vodo, kot prikazuje sl. 20, stran 18.
- Glede čiščenja ali zamenjave plinskih injektorjev stopite v stik s pooblaščenim servisnim centrom.

Vzdrževanje gorilnikov



OPOZORILO! Nevarnost požara

Pajki lahko v gorilnikih spletajo pajčevine, žuželke pa si v gorilnikih lahko zgradijo gnezda. Pajčevine in gnezda lahko ovirajo pretok plina in povzročijo požar. Odstranite vse žuželke, pajke, gnezda ali pajčevine v gorilniku.

1. Dvakrat na mesec preverite, ali so v gorilnikih pajčevine in gnezda.
2. Po potrebi odstranite vse žuželke, pajke, gnezda ali pajčevine v gorilniku.

Zamenjava plinske jeklenke



OPOZORILO! Nevarnost za zdravje

- Plinsko jeklenko zamenjajte na dobro prezračenem mestu.
- Prepričajte se, da v bližini ni odprtih plamenov.
- Plinsko jeklenko zamenjajte samo, ko sta kuhališče in plinska pečica izklopljena.

1. Zaprite ventil plinske jeklenke.
2. S plinske jeklenke odvijte regulator.
3. Če je uporabljena gibka cev za plin, se prepričajte, da gibka cev ni poškodovana.
4. Če je potrebno, zamenjajte gibko cev (glejte pogl. „Zamenjava gibke cevi“ na strani 204).
5. Ročno privijte regulator na novo plinsko jeklenko.

Zamenjava gibke cevi



OPOZORILO! Nevarnost za zdravje

- Gibko cev zamenjajte na dobro prezračenem mestu.
- Prepričajte se, da v bližini ni odprtih plamenov.
- Gibko cev zamenjajte samo, ko sta kuhališče in plinska pečica izklopljena.

1. Zaprite ventil plinske jeklenke.
2. S plinske jeklenke odvijte regulator.
3. Zamenjajte gibko cev za plin.
4. Ročno privijte regulator na plinsko jeklenko.
5. S penilnim sredstvom, npr. milom, preverite, ali plinska gibka cev pušča.

Shranjevanje



OPOZORILO! Nevarnost opeklin

Kuhališče in plinska pečica sta med delovanjem in po njem zelo vroči. Izklopite kuhališče in plinsko pečico. Pred pakiranjem ali prevozom počakajte, da se kuhališče in plinska pečica ohladita.

1. Zaprite ventil plinske jeklenke.

2. Očistite kuhališče in plinsko pečico (glejte pogl. „Čiščenje in vzdrževanje“ na strani 203).

Odpravljanje težav

Motnja	Možni vzrok	Odpravljanje
Naprava ne vžge.	Uporabljen je napačen plin.	<ul style="list-style-type: none">▶ Poskrbite za zadostno količino plina. Upoštevajte specifikacije o regulaciji plina za kuhališče in plinsko pečico na podatkovni ploščici in specifikacije v poglavju pogl. „Tehnični podatki“ na strani 206.▶ Če je potrebno, zamenjajte plinsko jeklenko (glejte pogl. „Zamenjava plinske jeklenke“ na strani 204).
	Plinska jeklenka je prazna.	<ul style="list-style-type: none">▶ Zamenjajte plinsko jeklenko (glejte pogl. „Zamenjava plinske jeklenke“ na strani 204).
	Gibka cev je poškodovana.	<ul style="list-style-type: none">▶ Zamenjajte gibko cev (glejte pogl. „Zamenjava gibke cevi“ na strani 204).
	Prisotna je okvara ali slabi priključki.	<ul style="list-style-type: none">▶ Znova priključite gibko cev ali cev (pogl. „Priključitev na plinsko jeklenko“ na strani 201).▶ Po potrebi izklopite dovod plina in se obrnite na pooblaščenega serviserja.
	Termočlen je okvarjen.	<ul style="list-style-type: none">▶ Izklopite dovod plina in se obrnite na pooblaščenega serviserja.
	Kuhališče in plinska pečica sta okvarjena.	
Gorilnik ne vžge.	Ni iskre.	<ul style="list-style-type: none">▶ Nastavite gumb ustreznega gorilnika kuhališča na najnižjo stopnjo in vklopite gorilnik kuhališča (glejte pogl. „Vžig gorilnikov“ na strani 202).
Pečica ne vžge.	Ni iskre.	<ul style="list-style-type: none">▶ Pečico izklopite za 1 minuto.▶ Vključite pečico (glejte pogl. „Reguliranje gorilnikov“ na strani 202).
Samo CU351MK: Žar se ne vžge.	Ni iskre.	<ul style="list-style-type: none">▶ Žar izklopite za 1 minuto.▶ Vključite žar (glejte pogl. „Uporaba kuhališča“ na strani 203).

Garancija

dometic.com/dealer).

Velja zakonsko določen garancijski rok. Če je izdelek pokvarjen, se obrnite na svojega trgovca ali podružnico proizvajalca v svoji državi (glejte

Za obravnavanje zahtevkov popravil oz. garancijskih zahtevkov morate skupaj z izdelkom poslati naslednjo dokumentacijo:

- Kopijo računa z datumom nakupa
- Razlog za reklamacijo ali opis napake

Upoštevajte, da lahko imajo lastnoročna ali neprofesionalna popravila varnostne posledice in lahko razveljavijo garancijo.

Odstranjevanje



- ▶ Embalažni material odstranite v primerne zabojnike za recikliranje odpadkov, če je to mogoče.
- ▶ Pri lokalnem centru za zbiranje odpadkov ali specializiranem prodajalcu se pozanimajte glede odstranjevanja izdelka v skladu z veljavnimi predpisi.

Tehnični podatki

	CU351MK	CU354MK
Skupna nazivna moč	6,4 kW, 466 g/h	5,1 kW, 371 g/h
Nazivna moč pečice	1,1 kW, 89 g/h	
Nazivna moč žara	1,3 kW, 95 g/h	–
Nazivna moč kuhališča		
Levi gorilnik	2,2 kW, 160 g/h	
Desni gorilnik	1,8 kW, 131 g/h	
Količina zgorevalnega zraka	12,8 m ³ /h	10,2 m ³ /h
Priključni tlak	sl. 6 , stran 8	
Mere (V x Š x G)	508 x 450 x 358 mm	398 x 449 x 357 mm
Masa:	18,50 kg	15,50 kg
Mere gorilnika		
Levi gorilnik	Ø 62 mm	
Desni gorilnik	Ø 70 mm	
Certifikati	CE	

Citiți cu atenție și respectați toate instrucțiunile, indicațiile și avertismentele incluse în acest manual al produsului pentru a vă asigura că instalați, utilizați și întrețineți corect produsul în permanență. Aceste instrucțiuni **TREBUIE** păstrate împreună cu produsul.

Prin utilizarea produsului, confirmați că ați citit cu atenție toate instrucțiunile, indicațiile și avertismentele și că înțelegeți și sunteți de acord să respectați termenii și condițiile stabilite. Sunteți de acord să utilizați acest produs numai pentru scopul și aplicația prevăzute și în conformitate cu instrucțiunile, indicațiile și avertismentele prezentate în acest manual al produsului, precum și în conformitate cu toate legile și reglementările aplicabile. Nerespectarea instrucțiunilor și avertismentelor prezentate aici poate duce la vătămarea personală a utilizatorului sau a altora, la deteriorarea produsului sau a altor bunuri din apropiere. Acest manual al produsului, inclusiv instrucțiunile, indicațiile și avertismentele și documentația aferentă pot fi supuse modificărilor și actualizărilor. Pentru informații actualizate despre produs, vizitați documents.domestic.com.

Conținut

Explicația simbolurilor	207
Instrucțiuni de siguranță	207
Domeniul de livrare	210
Categoriile vizate	210
Domeniul de utilizare	210
Descriere tehnică	211
Instalare	212
Utilizarea	213
Economisirea energiei	214
Curățarea și întreținerea	214
Depozitarea	215
Remediarea defectărilor	216
Garanție	217
Eliminarea	217
Date tehnice	217

Explicația simbolurilor



AVERTIZARE!

Instrucțiuni de siguranță: Indică o situație periculoasă care, dacă nu este evitată, poate provoca moartea sau răni grave.



PRECAUȚIE!

Instrucțiuni de siguranță: Indică o situație periculoasă care, dacă nu este evitată, poate provoca răni minore sau medii.



ATENȚIE!

Indică o situație care, dacă nu este evitată, poate duce la pagube materiale.



INDICAȚIE

Informații complementare privind operarea produsului.

Instrucțiuni de siguranță

Note preliminare

- Înainte de instalare, verificați compatibilitatea condițiilor de distribuție locale (tipul de gaz și presiunea acestuia) și a reglării dispozitivului.
- Condițiile de reglare pentru acest dispozitiv sunt menționate pe etichetă (sau plăcuța cu date tehnice).
- Acest dispozitiv nu este conectat la o evacuare de produse de ardere. Acesta trebuie instalat și conectat conform reglementărilor de instalare în vigoare. Trebuie acordată o atenție deosebită cerințelor relevante cu privire la aerisire.

Informații generale de siguranță



AVERTIZARE! Nerespectarea acestor avertismente poate conduce la moarte sau vătămări grave.

Pericol de explozie

- Lucrările de reparație la nivelul acestui aparat pot fi efectuate exclusiv de către specialiști. Reparațiile necorespunzătoare pot cauza pericole grave.
- Acest dispozitiv trebuie instalat în conformitate cu orice reglementări naționale în vigoare în țara de utilizare.
- Acest dispozitiv trebuie folosit într-un spațiu bine aerisit.
- Citiți instrucțiunile înainte de a instala sau folosi dispozitivul.

- Nu modificați dispozitivul.
- Nu scoateți și nu înlocuiți nicio componentă a acestui dispozitiv.
- Furtunul de gaz trebuie înlocuit dacă reglementările naționale impun acest lucru.
- Nu răsuciți, întindeți, ciupiți și nu aplicați nicio sarcină pe furtunul de alimentare cu gaz.

Pericol de incendiu

- Nu lăsați acest dispozitiv nesupravegheat când este fierbinte sau în funcțiune.
- Copiii trebuie supravegheați pentru a nu se juca cu aparatul.
- Țineți la îndemână un stingător adecvat. Asigurați-vă că stingătorul este verificat de către personal calificat la intervale regulate.

Pericol de arsuri

- Nu apropiați mâinile, fața și părul de arzătoare.
- Nu purtați haine largi și nu lăsați părul lung desfăcut când aprindeți sau folosiți dispozitivul.
- Nu lăsați copiii și animalele de companie să se apropie.
- Monitorizați cu atenție toate activitățile din jurul acestui dispozitiv pentru a evita arsurile sau alte vătămări corporale.
- Nu mutați dispozitivul în timpul funcționării.

Pericol pentru sănătate

- Acest aparat poate fi utilizat de copiii cu vârsta de peste 8 ani și de către persoane cu capacități fizice, senzoriale sau mentale reduse sau de către persoane lipsite de experiență și cunoștințe dacă acestea au fost supravegheate și instruite cu privire la utilizarea aparatului în condiții de siguranță și înțeleg riscurile pe care le implică.
- Copiii trebuie supravegheați pentru a nu se juca cu aparatul.



PRECAUȚIE! Nerespectarea acestor precauții poate conduce la vătămări minore sau moderate.

Pericol de vătămare corporală

- Dacă dispozitivul dispune de un capac din sticlă, în cazul în care acesta se sparge:
 - Oprii imediat toate arzătoarele și orice element de încălzire electric și izolați dispozitivul de sursa de alimentare.
 - Nu atingeți suprafața dispozitivului.
 - Nu folosiți dispozitivul.



ATENȚIE! Pericol de defectare

- Dacă dispozitivul dispune de un capac din sticlă:
 - Închideți capacul din sticlă înainte de a începe o călătorie.
 - Oprii toate arzătoarele înainte de a închide capacul din sticlă.

Măsuri de siguranță la manipularea gazului lichefiat



AVERTIZARE! Nerespectarea acestor avertismente poate conduce la moarte sau vătămări grave.

Pericol de explozie

- După folosire, deconectați întotdeauna butelia de gaz lichefiat.
- Depozitați buteliile de gaz lichefiat la distanță de dispozitivele de încălzire sau de gătit și alte surse de lumină sau de căldură, într-o zonă bine aerisită, care nu se află la îndemâna copiilor.
- Nu depozitați **niciodată** buteliile de gaz lichefiat în locuri neaerisite sau sub nivelul solului (benă de pământ în formă de pânle).
- Nu depozitați **niciodată** buteliile de gaz lichefiat în clădiri precum garaje.
- Orice depozitare în interior trebuie să respecte reglementările naționale.
- Nu depozitați buteliile de gaz lichefiat în poziție orizontală.
- Protejați sticlele cu gaz lichefiat de radiația solară directă. Temperatura nu trebuie să depășească 50 °C.

Securitatea la exploatarea aparatului



PERICOL! Nerespectarea acestor instrucțiuni duce la moarte sau vătămări corporale grave.

Pericol de intoxicație cu monoxid de carbon

- Procesul de ardere a gazului lichefiat produce monoxid de carbon, care se acumulează în spațiile închise.
Folosiți acest dispozitiv doar cu suficientă aerisire.

Pericol de sufocare

- Exploatarea dispozitivului într-o zonă neaerisită va reduce cantitatea de oxigen din acea zonă.
- Nu folosiți dispozitivul ca sursă de căldură.
- Folosirea unui aparat de gătit pe gaz are ca rezultat producerea căldurii, umezelii și a produselor de ardere în încăperea în care este instalat.
 - Asigurați-vă că bucătăria este bine aerisită, mai ales când dispozitivul este în uz.
 - Lăsați orificiile de aerisire naturală deschise sau instalați un dispozitiv de ventilație mecanică (de ex., o hotă extractoare).
- Folosirea intensivă prelungită a dispozitivului poate necesita aerisire suplimentară, de exemplu, prin deschiderea unui geam, sau aerisire mai eficientă, de exemplu, prin creșterea nivelului de ventilație mecanică, acolo unde aceasta există.



AVERTIZARE! Nerespectarea acestor avertismente poate conduce la moarte sau vătămări grave.

Pericol de explozie

- Nu folosiți acest dispozitiv dacă prezintă scurgeri, deteriorări sau dacă nu funcționează corect.
- Nu folosiți niciodată dispozitivul în următoarele situații:
 - în benzinării
 - pe feriboturi
 - la transportarea rulotei sau casei mobile cu un vehicul de transport sau vehicul de tractare
- În caz de incendiu, opriți alimentarea cu gaz.

- Nu amplasați substanțe chimice, materiale inflamabile sau aerosoli în apropierea acestui dispozitiv.
- Nu folosiți niciodată o flacără deschisă pentru a verifica dacă există scurgeri de gaz.
- În caz de miros de gaz:
 - Nu încercați să aprindeți acest dispozitiv.
 - Stingeți orice flăcări deschise.
 - Opriti alimentarea cu gaz.
 - Deconectați dispozitivul de la sursa de gaz.
 - La folosirea dispozitivului în interior, deschideți geamurile și evacuați vehiculul.
 - Solicitați verificarea instalației de gaz unui atelier de specialitate.
- Atașați și detașați recipientul de gaz numai în aer liber, la distanță de flăcări deschise, flăcări pilot sau alte surse de aprindere și numai când dispozitivul este rece la atingere.
- Înainte de a folosi recipientul de gaz, verificați dacă garnitura dintre acest dispozitiv și recipientul de gaz este la locul său și în stare bună.
- Dacă garnitura este deteriorată sau uzată, nu folosiți acest dispozitiv.
- Opriti alimentarea cu gaz de la recipientul de gaz după utilizare.

Pericol de incendiu

- Dispozitivul trebuie ținut la distanță de materiale inflamabile în timpul utilizării.
- Nu amplasați alte obiecte decât veselă pe sau sprijinit de acest dispozitiv.
- Nu instalați aparatul în apropierea materialelor inflamabile (hârtie, frunziș uscat, textile).
- Țineți obiectele inflamabile departe de arzător.
- Orientați mânerul veselii după cum urmează:
 - Nu permiteți niciodată ca mânerul veselii să proiecteze dincolo de marginea dispozitivului.
 - Rotiți mânerul veselii către interior, dar nu proiectate deasupra altor arzătoare.
- Nu încălziți excesiv grăsimea sau uleiul.
- Folosiți doar suporturi de vase uscate pentru a manevra vesela încinsă.
- Opriti dispozitivul înainte de a îndepărta vesela.

- Exploatați acest dispozitiv numai când poate fi supravegheat de un adult.

Pericol de arsuri

- Părțile accesibile pot fi fierbinți. Nu lăsați copiii mici să se apropie.



PRECAUȚIE! Nerespectarea acestor precauții poate conduce la vătămări minore sau moderate.

Pericol de arsuri

- Folosiți mănuși de protecție când manevrați componente fierbinți.
- Lăsați dispozitivul să se răcească înainte de a-l atinge cu mâinile goale.
- Când un arzător este aprins manual:
 - Folosiți chibrituri lungi sau o brichetă adecvată.
 - Îndepărtați rapid mâinile imediat ce arzătorul se aprinde.
- Folosirea alcoolului sau a medicamentelor cu sau fără rețetă v-ar putea afecta capacitatea de a asambla corect sau de a utiliza în siguranță acest dispozitiv.



ATENȚIE! Pericol de defectare

- Nu folosiți un temporizator extern sau un sistem de comandă la distanță.

Domeniul de livrare

Nr. în fig. 1, pagină 3	Componentă	Numărul
1	Suport veselă	1
2	Tavă de copt	1
3	Rastel cuptor	1
4	Plită și cuptor cu gaz	1
5	Consolă de montare	2

Categoriile vizate



Montarea și instalarea racordului de gaz trebuie să fie efectuate de o persoană calificată care a demonstrat abilități și cunoștințe pentru construcția, instalarea și utilizarea aparatelor pe gaz și a beneficiat instruire în domeniul siguranței pentru identificarea și evitarea pericolelor asociate.

Domeniul de utilizare

Aragazul cu gaz este destinat gătirii și coacerii alimentelor.

Doar CU351MK: Aragazul cu gaz este destinat și prăjirii pe grătar.

Aragazul cu gaz este destinat numai utilizării pe ambarcațiuni și în instalații maritime. Pentru utilizare în spații închise, trebuie respectate cerințele prezentate în fig. 5, pagină 7. În cazuri cu trei pereți, 30 % din suprafața totală a pereților trebuie să fie deschisă și deobstrucționată.

Aragazul cu gaz **nu** este destinat utilizării pe punți de zbor, în vehicule sau în clădiri.

Acest produs este potrivit numai pentru scopul și utilizarea prevăzute în conformitate cu aceste instrucțiuni.

Acest manual oferă informații necesare pentru instalarea și/sau utilizarea corectă a produsului. Instalarea defectuoasă și/sau utilizarea sau întreținerea necorespunzătoare vor avea ca rezultat performanțe nesatisfăcătoare și o posibilă defectare.

Producătorul nu își asumă nicio răspundere pentru orice vătămare sau deteriorare a produsului rezultate din:

- Asamblarea sau conectarea incorectă, inclusiv supratensiunea
- Întreținerea sau utilizarea incorectă a pieselor de schimb, altele decât piesele de schimb originale furnizate de producător
- Modificări aduse produsului fără aprobarea explicită din partea producătorului

- Utilizarea în alte scopuri decât cele descrise în manual

Kampa își rezervă dreptul de a modifica aspectul și specificațiile produsului.

Descriere tehnică

Aragazul cu gaz poate găti și coace.

Doar CU351MK: Plita și cuptorul cu gaz pot și să prăjească pe grătar.

Aragazul cu gaz este fixat cu console de montare și un știft care asigură că dispozitivul rămâne pe poziție la mișcările provocate de valuri. Dispozitivul este prevăzut cu un suport de veselă care garantează că vasele stau ferm pe plită și nu alunecă la mișcările provocate de valuri.

Aragazul cu gaz trebuie conectat la o butelie de gaz.

CU354MK

Nr. în fig. 2 , pagină 4	Componentă
1	Suport veselă
2	Buton temperatură cuptor
3	Rastel cuptor
4	Tavă de copt
5	Ușă cuptor
6	Buton temperatură arzător plită dreapta
7	Buton temperatură arzător plită stânga

CU351MK

Nr. în fig. 3 , pagină 5	Componentă
1	Suport veselă
2	Buton temperatură cuptor

Nr. în fig. 3 , pagină 5	Componentă
3	Buton temperatură grătar
4	Grătar
5	Tavă de copt
6	Rastel cuptor
7	Ușă cuptor
8	Buton temperatură arzător plită dreapta
9	Buton temperatură arzător plită stânga

Butoane de temperatură

Temperatura cuptorului și flacăra arzătoarelor pot fi reglate (fig. **4**, pagină 6).

Intervale de temperatură pentru cuptor

Poziție	1	2	3
Temperatura	130 °C	160 °C	180 °C

Poziție	4	5	6
Temperatura	200 °C	220 °C	240 °C

Instalare



AVERTIZARE! Pericol de explozie

- Înainte de instalarea aragazului cu gaz, asigurați-vă că presiunea și calitatea gazului, precum și regulatoarele de alimentare cu gaz, sunt compatibile cu aragazul cu gaz. Respectați specificațiile de reglementare pentru gaz pentru aragaz de pe plăcuța cu date tehnice și specificațiile din capitolul „Date tehnice” la pagină 217.
- Aragazul cu gaz nu este conectat la o hotă. Instalați aragazul cu gaz în conformitate cu reglementările de instalare aplicabile.

Alegerea unui loc de instalare

La selectarea locului pentru instalarea aragazului cu gaz, respectați următoarele instrucțiuni:

- Amplasați aragazul cu gaz la exterior sau într-un spațiu închis care îndeplinește cerințele prezentate în fig. **5**, pagină 7.
- Locul trebuie să fie bine aerisit.
- Nu amplasați aragazul cu gaz într-o adâncitură, pentru a preveni acumularea de gaze acolo.
- Protejați aragazul cu gaz de vânt și curent direct.
- Terenul trebuie să fie ferm, plan și stabil.
- Carcasa și incinta grătarului se încing foarte mult în timpul funcționării. Aragazul cu gaz trebuie să stea pe o bază care poate rezista la căldură de cel puțin 80 °C.

Conectarea la butelia de gaz

Aragazul cu gaz este alimentat cu butelii de gaz comerciale disponibile în țara în care este folosit (fig. **6**, pagină 8).

Butelia de gaz trebuie să îndeplinească următoarele condiții:

- Butelia de gaz trebuie amplasată întotdeauna în compartimentul prevăzut pentru aceasta.

- Butelia de gaz trebuie amplasată întotdeauna vertical.
- Butelia de gaz trebuie prevăzută cu un regulator de presiune ușor accesibil și neacoperit.

Sursa de gaz conectată la dispozitiv trebuie să fie o țeavă metalică rigidă, cu racorduri etanșe. Dacă se folosește un furtun flexibil, trebuie îndeplinite următoarele condiții:

- Furtunul trebuie să fie ușor accesibil în scopuri de inspecție.
- Furtunul trebuie protejat de contactul cu alte piese care se încălzesc.
- Furtunul trebuie protejat împotriva deteriorării.
- Furtunul trebuie protejat împotriva ciupirii de către piese mobile, cum ar fi sertarele.
- Furtunul nu trebuie să fie mai lung de 1,5 m.
- Furtunul trebuie înlocuit înainte de data expirării.

1. Conectați țeava sau furtunul buteliei de gaz la aragazul cu gaz (fig. **7** până la fig. **8**, pagină 9). Furtunul trebuie strâns folosind o cheie adecvată, cum ar fi o cheie reglabilă, pentru a obține o cuplare etanșă.
2. Verificați dacă furtunul sau țeava de gaz prezintă scurgeri folosind un agent spumant, de ex., săpun.



AVERTIZARE! Pericol de explozie

Nu folosiți o flacără sau un lichid coroziv pentru a verifica dacă sursa de gaz prezintă scurgeri.

Montarea aragazului cu gaz

1. Asigurați o distanță suficientă față de pereți și alte dulapuri (consultați fig. **9**, pagină 10).
2. Montați aragazul cu gaz după cum este indicat în fig. **10** până la fig. **11**, pagină 11.

Utilizarea



AVERTIZARE! Pericol de explozie

- Aprindeți arzătoarele imediat ce sursa de gaz este pornită. În caz contrar, gazul se poate acumula în zona arzătorului și poate provoca o explozie.
- Întregul proces de aprindere trebuie să fie vizibil de deasupra și nu trebuie să fie ascuns de vesela amplasată pe plită.



ATENȚIE! Pericol de defectare

Doar CU351MK: Nu folosiți grătarul mai mult de 25 de minute.



INDICAȚIE

- În timpul funcționării aragazului cu gaz, se poate auzi un ușor zgomot, provocat de circulația gazului.
- La prima utilizare a aragazului cu gaz, poate apărea fum. Acesta este provocat de arderea uleiului de mașini și încetează după aproximativ 10 minute.
- **Doar CU351MK:** Grătarul nu poate fi folosit drept cuptor.
- La folosirea propanului (G31), flacăra este albastră, fără vârfuri galbene.
- La folosirea butanului (G30), flacăra este albastră cu vârfuri galbene când este aprinsă. Vârfurile galbene devin mai intense când arzătorul se încălzește.

Aprinderea arzătoarelor

- ▶ Aprindeți plita după cum este indicat în fig. **12** (1) pagină 12 și fig. **13**, pagină 13.
- ▶ **Doar CU351MK:** Aprindeți grătarul după cum este indicat în fig. **12** (2) pagină 12 și fig. **14**, pagină 14.
- ▶ Aprindeți cuptorul după cum este indicat în fig. **12** (3) pagină 12 și fig. **15**, pagină 15.

Reglarea arzătoarelor



ATENȚIE! Pericol de defectare

Asigurați-vă că tava de copt, rastelul de cuptor și vesela nu intră în contact cu flăcările din cuptor.



INDICAȚIE

- După prima aprindere a cuptorului, lăsați cuptorul pornit la cea mai mare temperatură timp de cel puțin 30 de minute înainte de a-l regla.
- După prima aprindere a plitei, lăsați flacăra corespunzătoare a plitei la cea mai mare setare timp de 15 – 20 de minute înainte de a o regla.

- ▶ Setati comanda corespunzătoare la temperatura sau flacăra dorită (consultați capitolul „Butoane de temperatură” la pagină 211 și capitolul „Intervale de temperatură pentru cuptor” la pagină 211).
- ✓ Când arzătorul cuptorului este aprins, flacăra rămâne la cea mai mare intensitate. Când cuptorul atinge temperatura setată, flacăra revine automat la o intensitate mai mică.

Folosirea plitei



AVERTIZARE! Pericol de incendiu

Flacăra nu trebuie să depășească marginea veseli. Centrați vesela pe arzător și asigurați o bună stabilitate folosind suportul de veselă.

- ▶ Aveți grijă să folosiți veselă adecvată. Țineți cont de diametrele arzătoarelor plitei și ale veseli:

Diametru arzător plită	Diametru veselă
∅ 62 mm	16 – 22 cm
∅ 77 mm	16 – 22 cm

- ▶ Fixați vesela în suportul de veselă folosind butoanele suportului de veselă (consultați fig. **16**, pagină 16).

folosirea grătarului (doar CU351MK)



PRECAUȚIE! Pericol de arsuri

- Trageți scutul termic pentru a proteja butoanele de căldura grătarului.
- Scutul termic este foarte fierbinte în timpul și după funcționarea grătarului. Purați mânuși de protecție când atingeți scutul termic.

► Folosiți scutul termic după cum este indicat în fig. **17**, pagină 16.

Oprirea aragazului cu gaz

► Opriți aragazul cu gaz după cum este indicat în fig. **18**, pagină 17.

Economisirea energiei

► Opriți aragazul cu gaz după folosire (consultați capitolul „Oprirea aragazului cu gaz” la pagină 214).

► Închideți ușa cuptorului în timp ce folosiți cuptorul.

Curățarea și întreținerea



AVERTIZARE! Pericol de explozie

Nu folosiți o flacără sau un lichid coroziv pentru a verifica dacă sursa de gaz prezintă scurgeri.



PRECAUȚIE! Pericol de arsuri

Aragazul cu gaz este foarte încins în timpul și după funcționare. Opriți aragazul cu gaz. Lăsați aragazul cu gaz să se răcească înainte de curățare, ambalare sau transport.



ATENȚIE! Pericol de defectare

- Nu folosiți agenți de curățare abrazivi, corozivi, clorurați și aspri sau perii pentru a curăța aragazul cu gaz.
- Nu folosiți aparate de curățat cu aburi.
- Nu folosiți aer comprimat pentru curățarea circuitului de gaz.
- Îndepărtați oțetul, sărurile, acidul citric sau alte substanțe acide sau alcaline de pe aragazul cu gaz.

► Curățați aragazul cu gaz cu o cârpă umedă, folosind agenți de curățare neutri (fig. **19**, pagină 17).

► Curățați arăzătorul cuptorului cu apă, după cum este indicat în fig. **20**, pagină 18.

► Pentru a curăța sau a înlocui injectoarele de gaz, contactați un centru de service autorizat.

Întreținerea arzătoarelor



AVERTIZARE! Pericol de incendiu

Păienjenii pot țese pânze și insectele pot construi cuiburi în interiorul arzătoarelor. Pânzele și cuiburile pot obstrucționa fluxul de gaz și pot provoca un incendiu. Îndepărtați orice insecte, păienjeni, cuiburi sau pânze din interiorul arzătorului.

1. Verificați de două ori pe lună dacă există pânze și cuiburi în arzătoare.
2. Dacă este necesar, îndepărtați insectele, păienjenii, cuiburile și pânzele din interiorul arzătorului.

Schimbarea buteliei de gaz



AVERTIZARE! Pericol pentru sănătate

- Schimbați butelia de gaz într-o zonă bine aerisită.
- Asigurați-vă că nu există flăcări deschise în zonă.
- Schimbați butelia de gaz doar când aragazul cu gaz este oprit.

1. Închideți robinetul de gaz de pe butelia de gaz.
 2. Deșurubați regulatorul de pe butelia de gaz.
 3. Dacă folosiți un furtun de gaz, asigurați-vă că furtunul nu prezintă defecte.
 4. Dacă este necesar, înlocuiți furtunul (consultați capitolul „Înlocuirea furtunului” la pagină 215).
 5. Înșurubați cu mâna regulatorul în noua butelie de gaz.
2. Curățați aragazul cu gaz (consultați capitolul „Curățarea și întreținerea” la pagină 214).

Înlocuirea furtunului



AVERTIZARE! Pericol pentru sănătate

- Înlocuiți furtunul într-o zonă bine aerisită.
- Asigurați-vă că nu există flăcări deschise în zonă.
- Înlocuiți furtunul doar când aragazul cu gaz este oprit.

1. Închideți robinetul de gaz de pe butelia de gaz.
2. Deșurubați regulatorul de pe butelia de gaz.
3. Înlocuiți furtunul de gaz.
4. Înșurubați cu mâna regulatorul în butelia de gaz.
5. Verificați dacă furtunul de gaz prezintă scurgeri folosind un agent spumant, de ex., săpun.

Depozitarea



AVERTIZARE! Pericol de arsuri

Aragazul cu gaz este foarte încins în timpul și după funcționare. Opriți aragazul cu gaz. Lăsați aragazul cu gaz să se răcească înainte de ambalare sau transport.

1. Închideți robinetul de gaz de pe butelia de gaz.

Remedierea defecțiunilor

Avarie	Cauză posibilă	Înlăturare
Dispozitivul nu se aprinde.	Nu este folosit tipul corect de gaz.	<ul style="list-style-type: none"> ▶ Asigurați-vă că folosiți suficient gaz. Respectați specificațiile de reglementare pentru gaz pentru aragaz de pe plăcuța cu date tehnice și specificațiile din capitolul „Date tehnice” la pagină 217. ▶ Dacă este necesar, schimbați butelia de gaz (consultați capitolul „Schimbarea buteliei de gaz” la pagină 214).
	Butelia de gaz este goală.	<ul style="list-style-type: none"> ▶ Înlocuiți butelia de gaz (consultați capitolul „Schimbarea buteliei de gaz” la pagină 214).
	Furtunul este defect.	<ul style="list-style-type: none"> ▶ Înlocuiți furtunul (consultați capitolul „Înlocuirea furtunului” la pagină 215).
	Există o defecțiune sau racorduri defectuoase.	<ul style="list-style-type: none"> ▶ Reconectați țeava sau furtunul (capitolul „Conectarea la butelia de gaz” la pagină 212). ▶ Dacă este necesar, întrerupeți alimentarea cu gaz și contactați un agent de service autorizat.
	Termocupla este defectă.	<ul style="list-style-type: none"> ▶ Întrerupeți alimentarea cu gaz și contactați un agent de service autorizat.
	Aragazul cu gaz este defect.	
Arzătoarele plitei nu se aprind.	Nu are loc scânteia.	<ul style="list-style-type: none"> ▶ Setati butonul arzătorului corespunzător al plitei la cel mai mic nivel și aprindeți arzătorul plitei (consultați capitolul „Aprinderea arzătoarelor” la pagină 213).
Cuptorul nu se aprinde.	Nu are loc scânteia.	<ul style="list-style-type: none"> ▶ Opriti cuptorul timp de 1 minut. ▶ Porniți cuptorul (consultați capitolul „Reglarea arzătoarelor” la pagină 213).
Doar CU351MK: Grătarul nu se aprinde.	Nu are loc scânteia.	<ul style="list-style-type: none"> ▶ Opriti grătarul timp de 1 minut. ▶ Porniți grătarul (consultați capitolul „Folosirea plitei” la pagină 213).

Garanție

Se aplică termenul de garanție legal. În cazul în care produsul este defect, vă rugăm să contactați sucursala distribuitorului sau producătorului din țara dvs. (consultați dometic.com/dealer) sau comerciantul dvs. cu amănuntul.

Pentru reparații și procesarea garanției, vă rugăm să includeți următoarele documente atunci când trimiteți produsul:

- O copie a facturii cu data cumpărării
- Un motiv de reclamație sau o descriere a defecțiunii.

Rețineți că repararea prin mijloace proprii sau reparațiile neprofesionale pot avea consecințe asupra securității și pot anula garanția.

Eliminarea



- Depuneți materialul de ambalare pe cât posibil în containerele corespunzătoare de reciclare.
- Consultați un centru local de reciclare sau un reprezentant specializat pentru detalii despre detalii cu privire la eliminarea produsului în conformitate cu reglementările aplicabile privind eliminarea.

Date tehnice

	CU351MK	CU354MK
Putere nominală totală	6,4 kW, 466 g/h	5,1 kW, 371 g/h
Putere nominală cuptor	1,1 kW, 89 g/h	
Putere nominală grătar	1,3 kW, 95 g/h	–
Putere nominală plită		
Arzător stânga	2,2 kW, 160 g/h	
Arzător dreapta	1,8 kW, 131 g/h	
Volum aer de ardere	12,8 m ³ /h	10,2 m ³ /h
Presiune de conectare	fig. 6, pagină 8	
Dimensiuni (H x l x A)	508 x 450 x 358 mm	398 x 449 x 357 mm
Greutate	18,50 kg	15,50 kg
Dimensiune arzător plită		
Arzător stânga	∅ 62 mm	
Arzător dreapta	∅ 70 mm	
Certificări		

Моля, прочетете внимателно тези инструкции и спазвайте всички указания, напътствия и предупреждения, включени в настоящото ръководство, за да сте сигурни че инсталирате, използвате и поддържате правилно този продукт. Инструкциите ТРЯБВА винаги да съпровождат продукта.

Като използвате продукта, потвърждавате, че сте прочели внимателно всички указания, напътствия и предупреждения, и че разбирате и приемате да спазвате правилата и условията, съдържащи се в тях. Съгласявате се да използвате този продукт само по предназначение и в съответствие с указанията, напътствията и предупрежденията, дадени в ръководството на продукта, както и в съответствие с всички приложими закони и разпоредби. Ако не прочетете и не спазвате инструкциите и предупрежденията, това може да доведе до наранявания за Вас или за други хора, щети по продукта или щети по други предмети в близост до него. Това ръководство за продукта, включително указанията, напътствията и предупрежденията и другата документация, подлежи на промяна и обновяване. За актуална информация за продукта, моля, посетете documents.domestic.com.

Съдържание

Обяснение на символите	218
Инструкции за безопасност	218
Обхват на доставката	221
Целеви групи	221
Използване по предназначение	221
Техническо описание	221
Инсталиране	222
Работа	223
Икономия на енергия	225
Почистване и поддръжка	225
Съхранение	226
Отстраняване на неизправности	227
Гаранция	228
Изхвърляне	228
Технически данни	228

Обяснение на символите



ПРЕДУПРЕЖДЕНИЕ!

Инструкция за безопасност:

Показва опасна ситуация която, ако не бъде избегната, може да доведе до смърт или тежко нараняване.



ВНИМАНИЕ!

Инструкция за безопасност:

Показва опасна ситуация която, ако не бъде избегната, може да доведе до леко или средно нараняване.



ВНИМАНИЕ!

Показва ситуация която, ако не бъде избегната, ще доведе до щети по имуществото.



УКАЗАНИЕ

Допълнителна информация за боравенето с продукта.

Инструкции за безопасност

Предварителни бележки

- Преди инсталиране се уверете, че местните условия за разпространение (вид на газа и налягане на газа) и регулировката на уреда са съвместими.
- Условията за регулиране на този уред са посочени на етикета (или табелката с данни).
- Този уред не се свързва с изпускане на отработени газове от него. Той трябва да бъде инсталиран и свързан съгласно действащите разпоредби за инсталиране. Трябва да се обърне особено внимание на съответните изисквания по отношение на вентилацията.

Обща безопасност



ПРЕДУПРЕЖДЕНИЕ! Неспазването на тези предупреждения може да доведе до смърт или сериозни наранявания.

Опасност от експлозия

- Това устройство може да бъде ремонтирано само от квалифициран персонал. Неправилни ремонти могат да доведат до сериозни опасности.
- Този уред трябва да бъде инсталиран в съответствие с всички национални разпоредби, които са в сила в държавата на използване.
- Този уред трябва да се използва само в пространство с добра вентилация.
- Прочетете инструкциите, преди да инсталирате или използвате този уред.
- Не модифицирайте устройството.

- Не отстранявайте и не заменяйте компоненти на този уред.
- Маркучът за газ трябва да се смени, ако това се изисква от националните разпоредби.
- Не усуквайте, опъвайте, прищипвайте или прилагайте друг товар върху маркуча за подаване на газ.

Опасност от пожар

- Не оставяйте този уред без надзор, когато е горещ или се използва.
- Деца трябва да са под наблюдение, за да е сигурно, че не си играят с уреда.
- Осигурете подходящ пожарогасител на разположение.
Уверете се, че пожарогасителят се проверява периодично от квалифициран персонал.

Опасност от изгаряне

- Не приближавайте ръцете, лицето и косата си до горелките.
- Не носете широки дрехи и не позволявайте на дългата коса да виси свободно, докато запалват или използват този уред.
- Дръжте децата и домашните любимци на разстояние.
- Внимателно наблюдавайте цялата активност около този уред, за да избегнете изгаряния или други наранявания.
- Не премествайте уреда по време на работа.

Опасност за здравето

- Този уред може да се използва от деца над 8 годишна възраст и от лица с ограничени физически, сензорни или умствени способности или лица без опит и познания, ако те са били предварително инструктирани за безопасното използване на уреда и разбират потенциалните опасности.
- Деца трябва да са под наблюдение, за да е сигурно, че не си играят с уреда.



ВНИМАНИЕ! Неспазването на тези предупреждения може да доведе до леки или средни наранявания.

Опасност от нараняване

- Ако уредът има стъклен капак, в случай на счупване на стъкления капак:
 - Изключете незабавно всички горелки и електрически нагревателни елементи и изключете уреда от захранването.
 - Не докосвайте повърхността на уреда.
 - Не използвайте уреда.



ВНИМАНИЕ! Опасност от повреда

- Ако уредът има стъклен капак:
 - Затворете стъкления капак, преди да отпътувате.
 - Изключете всички горелки, преди да затворите стъкления капак.

Предпазни мерки при работа с течен газ



ПРЕДУПРЕЖДЕНИЕ! Неспазването на тези предупреждения може да доведе до смърт или сериозни наранявания.

Опасност от експлозия

- След употреба винаги разкачвайте бутилката с течен газ.
- Съхранявайте бутилките с течен газ далеч от отоплителни уреди или уреди за готвене и други източници на светлина или топлина в помещение с добра вентилация, недостъпно за деца.
- **Никога** не съхранявайте бутилки с течен газ в помещения без вентилация или под нивото на земята (конусовидни пространства в земята).
- **Никога** не съхранявайте бутилки с течен газ в сгради, като например гаражи.
- Всяко съхранение на закрито трябва да отговаря на националните разпоредби.
- Не съхранявайте бутилки с течен газ в легнало положение.
- Дръжте бутилките с течен газ далеч от пряка слънчева светлина. Температурата не трябва да надвишава 50 °C.

Безопасност при работа на уреда



ОПАСНОСТ! Несъобразяването с тези инструкции ще доведе до смърт или сериозно нараняване.

Опасност от отравяне с въглероден оксид

- Процесът на изгаряне на течен газ произвежда въглероден оксид, който се натрупва в затворени помещения.
Използвайте този уред само при достатъчно вентилация.

Опасност от задушаване

- Работата с този уред в помещение без вентилация ще намали количеството кислород в помещението.
- Не използвайте уреда като отоплителен уред.
- Използването на газов уред за готвене води до образуването на топлина, влага и отработени газове в помещението, в което е инсталиран.
 - Уверете се, че кухнята е с добра вентилация, особено когато уредът се използва.
 - Дръжте отдушниците отворени или инсталирайте механичен уред за вентилация (напр. механичен абсорбатор).
- Продължителната интензивна употреба на уреда може да изисква допълнителна вентилация, например отваряне на прозорци, или по-ефективна вентилация, например увеличаване на степента на механична вентилация, когато има такава.



ПРЕДУПРЕЖДЕНИЕ! Неспазването на тези предупреждения може да доведе до смърт или сериозни наранявания.

Опасност от експлозия

- Не използвайте този уред, ако има изтичане, повреда или не работи правилно.
- Никога не използвайте уреда в следните ситуации:
 - На бензиностанции
 - На фериботи
 - При транспортиране на караваната или мобилния дом с транспортно превозно средство или влекач
- В случай на пожар изключете подаването на газ.
- Не поставяйте химикали, запалими материали или аерозоли в близост до този уред.
- Никога не използвайте открит пламък, за да проверите за течове на газ.
- В случай на миризма на газ:
 - Не се опитвайте да запалите този уред.
 - Изгасете всички открити пламъци.
 - Изключете подаването на газ.
 - Разкачете уреда от подаването на газ.
 - Когато използвате уреда на закрито, отворете прозорците и напуснете превозното средство.
 - Газовата система трябва да бъде проверена от специалист.

- Прикрепяйте или разкачвайте газовия контейнер само на открито, далеч от открит пламък, запалване или друг източник на горене и само когато уредът е студен на допир.
- Преди да използвате газовия контейнер, проверете дали уплътнението между този уред и газовия контейнер е на място и в добро състояние.
- Ако уплътнението е повредено или износено, не използвайте този уред.
- Изключете подаването на газ от газовия контейнер след употреба.

Опасност от пожар

- Този уред трябва да се държи далеч от запалими материали по време на употреба.
- Не поставяйте други предмети, освен готварски съдове, върху или до този уред.
- Никога не поставяйте този уред близо до запалими материали (хартия, сухи листа, текстилни изделия).
- Дръжте запалимите предмети далеч от горелката.
- Дръжките на готварските съдове трябва да са разположени, както следва:
 - Никога не позволявайте дръжките на готварските съдове да се подават извън края на уреда.
 - Завъртете дръжките на готварските съдове навътре, но без да попадат върху другите горелки.
- Не загрявайте прекомерно мазнини или олио.
- Използвайте само сухи кухненски ръкавици при работа с горещи готварски съдове.
- Изключете уреда, преди да извадите готварските съдове.
- Работете с този уред само когато наоколо има възрастен, който да го наглежда.

Опасност от изгаряне

- Достъпните части може да бъдат много горещи. Дръжте малките деца на разстояние.



ВНИМАНИЕ! Неспазването на тези предупреждения може да доведе до леки или средни наранявания.

Опасност от изгаряне

- Използвайте предпазни ръкавици при работа с горещи компоненти.
- Оставете уреда да се охлади, преди да го докосвате с голи ръце.

- При ръчно запалване на горелка:
 - Използвайте дълги кибритени клечки или подходяща запалка.
 - Дръпнете ръцете си бързо веднага щом горелката се запали.
- Употребата на алкохол или лекарства, отпускани с рецепта или без рецепта, може да наруши способността Ви да сглобите правилно или да работите безопасно с този уред.



ВНИМАНИЕ! Опасност от повреда

- Не използвайте външен таймер или система за дистанционно управление.

Обхват на доставката

№ във фиг. 1 , стр. 3	Компонент	Количество
1	Стойка за готварски съдове	1
2	Тава за печене	1
3	Решетка за фурната	1
4	Газова печка с котлони	1
5	Монтажна скоба	2

Целеви групи



Сглобяването и монтирането на газовата връзка трябва да се свърже от квалифициран техник, притежаваш необходимите знания и умения относно конструкцията, монтажа и работата на газови уреди и преминал инструктаж за безопасност, за да може да разпознае и избегне евентуалните опасности.

Използване по предназначение

Газовата печка с котлони е предназначена за готвене и печене на храна.

Само за CU351MK: газовата печка с котлони е допълнително предназначена за готвене на грил.

Газовата печка с котлони е предназначена само за използване на подки и морски съдове. За използване в затворени пространства трябва да бъдат изпълнени изискванията, посочени в фиг. 5, стр. 7. В случаите с 3 стени 30% от общата площ на стените трябва да бъде отворена и достъпна.

Газовата печка с котлони **не** е предназначена за използване на открити палуби, в превозни средства или сгради.

Този продукт е подходящ само за предвидената цел и приложение съгласно настоящите инструкции.

Това ръководство предоставя информация, необходима за правилната инсталация и/или експлоатация на продукта. Лошо инсталиране и/или неправилна употреба и поддръжка ще доведат до незадоволителна работа и евентуално до повреди.

Производителят не носи отговорност за наранявания и повреди по продукта, причинени от:

- Неправилен монтаж и свързване, включително прекалено високо напрежение
- Неправилна поддръжка или използване на резервни части, различни от оригиналните, предоставяни от производителя
- Изменения на продукта без изрично разрешение от производителя
- Използване за цели, различни от описаните в това ръководство

Катра си запазва правото да променя външния вид и спецификациите на продукта.

Техническо описание

Газовата печка с котлони може да се използва за готвене и печене.

Само за CU351MK: газовата печка с котлони допълнително може да се използва за готвене на грил.

Газовата печка с котлони се закрепя с монтажни скоби и шифт, които гарантират, че уредът остава на място по време на клатене от вълни. Уредът е оборудван със стойка за готварски съдове, която гарантира, че готварските съдове стоят здраво върху котлоните и не се плъзгат при клатене от вълни.

Газовата печка с котлони трябва да бъде свързана към газова бутилка.

CU354MK

№ във фиг. 2, стр. 4	Компонент
1	Стойка за готварски съдове
2	Копче за температура на фурната
3	Решетка за фурната
4	Тава за печене
5	Врата на фурната
6	Копче за температурата на горелката на десния котлон
7	Копче за температурата на горелката на левия котлон

CU351MK

№ във фиг. 3, стр. 5	Компонент
1	Стойка за готварски съдове
2	Копче за температура на фурната
3	Копче за температурата на грипа
4	Грип
5	Тава за печене
6	Решетка за фурната
7	Врата на фурната

№ във фиг. 3, стр. 5	Компонент
8	Копче за температурата на горелката на десния котлон
9	Копче за температурата на горелката на левия котлон

Копчета за температура

Температурата на фурната и размерът на пламъка на горелките може да се регулира (фиг. 4, стр. 6).

Температурни диапазони на фурната

Позиция	1	2	3
Температура	130 °C	160 °C	180 °C

Позиция	4	5	6
Температура	200 °C	220 °C	240 °C

Инсталиране



ПРЕДУПРЕЖДЕНИЕ! Опасност от експлозия

- Преди да инсталирате газовата печка с котлони, се уверете, че качеството и налягането на газа и регулаторите на подаването на газ са съвместими с газовата печка с котлони. Спазвайте спецификацията за регулиране на газа за газовата печка с котлони на табелката с данни и спецификациите в гл. „Технически данни“ на стр. 228.
- Газовата печка с котлони не е свързана към абсорбатор. Инсталирайте газовата печка с котлони в съответствие с приложимите разпоредби за инсталация.

Избор на място за инсталиране

Когато избирате мястото за разполагане на газовата печка с котлони, спазвайте следните инструкции:

- Поставете газовата печка с котлони на открито или в затворено пространство, което отговаря на изискванията, посочени в фиг. **5**, стр. 7.
- Мястото трябва да бъде с добра вентилация.
- Не поставяйте газовата печка с котлони в ниша, за да предотвратите натрупването на газове там.
- Осигурете защита от вятър и директни течения на газовата печка с котлони.
- Теренът трябва да е твърд, равен и стабилен.
- Корпусът и отделението на грила се нагряват много по време на работа. Газовата печка с котлони трябва да бъде разположена върху основа, която издържа на температури от поне 80 °C.

Свързване към газовата бутилка

Газовата печка с котлони работи с предлагани в търговската мрежа газови бутилки, налични в държавата, в която се използва (фиг. **6**, стр. 8).

Газовата бутилка трябва да отговаря на следните условия:

- Газовата бутилка трябва винаги да се поставя в предвиденото за нея отделение.
- Газовата бутилка трябва винаги да се поставя вертикално.
- Газовата бутилка трябва да бъде снабдена с регулатор на налягането, който е лесно достъпен и не е покрит.

Подаването на газ, свързано към уреда, трябва да бъде твърда метална тръба с уплътнени връзки.

Ако се използва гъвкав маркуч, следните условия трябва да бъдат изпълнени:

- Маркучът трябва да бъде лесно достъпен с цеп проверка.
- Маркучът трябва да бъде защитен от контакт с други части, които се нагряват.
- Маркучът трябва да бъде защитен от повреди.

- Маркучът трябва да бъде защитен от притискане от движещи се части, като например чекмеджета.
- Маркучът не трябва да е по-дълъг от 1,5 m.
- Маркучът трябва да бъде сменен преди изтичане на срока му на годност.

1. Свържете тръбата или маркуча на газовата бутилка към газовата печка с котлони (от фиг. **7** до фиг. **8**, стр. 9). Маркучът трябва да се затегне с помощта на подходящ гаечен ключ, като например регулируем гаечен ключ, за да се осигури уплътнение, което не пропуска газове.
2. Проверете маркуча или тръбата за газ за течове с помощта на пенообразуващ агент, напр. сапун.



ПРЕДУПРЕЖДЕНИЕ! Опасност от експлозия

Не използвайте пламък или корозивна течност, за да проверите подаването на газ за течове.

Монтиране на газовата печка с котлони

1. Осигурете достатъчно разстояние от стените и другите шкафове (вижте фиг. **9**, стр. 10).
2. Монтирайте газовата печка с котлони, както е показано на фиг. **10** до фиг. **11**, стр. 11.

Работа



ПРЕДУПРЕЖДЕНИЕ! Опасност от експлозия

- Запалете горелките веднага след включване на подаването на газ. В противен случай газът може да се натрупа в зоната на горелката и да причини експлозия.
- Целият процес на запалване трябва да се вижда отгоре и да не се закрива от готварски съдове, поставени върху котлоните.



ВНИМАНИЕ! Опасност от повреда Само за CU351MK: не използвайте грила за повече от 25 минути.



УКАЗАНИЕ

- По време на работата на газовата печка с котлони може да се чуе лек шум, който се дължи на изтичането на газ.
- При използване на газовата печка с котлони за първи път може да се образува дим. Това се дължи на изгаряне на отлагания на машинно масло и спира след прибл. 10 минути.
- **Само за CU351MK:** грилът не може да се използва като фурна.
- При използване на пропан (G31) пламъкът е син без жълти върхове.
- При използване на бутан (G30) пламъкът е син с жълти върхове при запалване. Жълтите върхове стават по-наситени, когато горелката се нагрее.

Запалване на горелките

- ▶ Запалете котлоните, както е показано на фиг. **12 (1)**, стр. 12, и фиг. **13**, стр. 13.
- ▶ **Само за CU351MK:** запалете грила, както е показано на фиг. **12 (2)**, стр. 12, и фиг. **14**, стр. 14.
- ▶ Запалете фурната, както е показано на фиг. **12 (3)**, стр. 12, и фиг. **15**, стр. 15.

Регулиране на горелките



ВНИМАНИЕ! Опасност от повреда

Уверете се, че тавата за печене, решетката на фурната и готварските съдове не влизат в контакт с пламъците във фурната.



УКАЗАНИЕ

- След като запалите фурната за първи път, оставете фурната на най-високата температура за най-малко 30 минути, преди да я регулирате.
- След като запалите котлона за първи път, оставете пламъка на съответния котлон на най-високия размер на пламъка за 15 – 20 минути, преди да го регулирате.

▶ Настройте съответния регулатор на температурата на желаната температура или размер на пламъка (вижте гл. „Копчета за температура“ на стр. 222 и гл. „Температурни диапазони на фурната“ на стр. 222).

- ✓ Когато горелката на фурната се запали, пламъкът остава на най-висок пламък. Когато фурната достигне зададената температура, пламъкът автоматично се връща към по-нисък пламък.

Използване на котлоните



ПРЕДУПРЕЖДЕНИЕ! Опасност от пожар

Пламъкът не трябва да се подава извън края на готварските съдове. Поставете готварския съд в центъра над горелката и го закрепете здраво, като използвате стойката за готварски съдове.

- ▶ Уверете се, че използвате подходящи готварски съдове. Спазвайте диаметрите на горелките на котлоните и готварските съдове:

Диаметър на горелките на котлоните	Диаметър на готварските съдове
∅ 62 mm	16 – 22 cm
∅ 77 mm	16 – 22 cm

- ▶ Закрепете готварския съд в стойката за готварски съдове с помощта на ръкохватките на стойката за готварски съдове (вижте фиг. **16**, стр. 16).

Използване на грила (само за CU351MK)



ВНИМАНИЕ! Опасност от изгаряне

- Извадете топлинния щит, за да предотвратите копчетата от нагряване от грила.
- Топлинният щит е много горещ по време на и след работа с грила. Носете защитни ръкавици, когато докосвате топлинния щит.

- ▶ Използвайте топлинния щит, както е показано на фиг. **17**, стр. 16.

Изключване на газовата печка с котлони

- Изключете газовата печка с котлони, както е показано на фиг. 18, стр. 17.

Икономия на енергия

- Изключете газовата печка с котлони след употреба (вижте гл. „Изключване на газовата печка с котлони“ на стр. 225).
- Затворете вратата на фурната, когато използвате фурната.

Почистване и поддръжка



ПРЕДУПРЕЖДЕНИЕ! Опасност от експлозия

Не използвайте пламък или корозивна течност, за да проверите подаването на газ за течове.



ВНИМАНИЕ! Опасност от изгаряне

Газовата печка с котлони е много гореща по време на и след работа. Изключете газовата печка с котлони. Оставете газовата печка с котлони да се охлади преди почистване, опаковане или транспортиране.



ВНИМАНИЕ! Опасност от повреда

- Не използвайте абразивни, корозивни, хлорирани и груби почистващи препарати или четки за почистване на газовата печка с котлони.
- Не използвайте пароструйки.
- Не използвайте състен въздух за почистване на газовия кръг.
- Отстранете оцета, солите, лимонената киселина или други киселинни или алкални вещества от газовата печка с котлони.

- Почистете газовата печка с котлони с влажна кърпа, като използвате неутрални почистващи препарати (фиг. 19, стр. 17).

- Почистете горелката на фурната с вода, както е показано на фиг. 20, стр. 18.

- За почистване или смяна на газовите инжектори се свържете с оторизиран сервизен център.

Поддръжка на горелките



ПРЕДУПРЕЖДЕНИЕ! Опасност от пожар

Възможно е паяци да оплетат паяжини и насекоми да изградят гнезда в горелките. Паяжините и гнездата могат да възпрепятстват газовия поток и да причинят пожар. Отстранете всички насекоми, паяци, гнезда или паяжини вътре в горелката.

1. Проверявайте горелките два пъти месечно за паяжини и гнезда.
2. Ако е необходимо, отстранете насекомите, паяците, гнездата и паяжините вътре в горелката.

Смяна на газовата бутилка



ПРЕДУПРЕЖДЕНИЕ! Опасност за здравето

- Сменете газовата бутилка само в помещение с добра вентилация.
- Уверете се, че наоколо няма открити пламъци.
- Сменяйте газовата бутилка само когато газовата печка с котлони е изключена.

1. Затворете газовия вентил на газовата бутилка.
2. Отвинтете регулатора от газовата бутилка.
3. Ако се използва маркуч за газ, се уверете, че не е дефектен.
4. Ако е необходимо, сменете маркуча (вижте гл. „Смяна на маркуча“ на стр. 225).
5. Завийте регулатора върху новата газова бутилка на ръка.

Смяна на маркуча



ПРЕДУПРЕЖДЕНИЕ! Опасност за здравето

- Сменете маркуча в помещение с добра вентилация.
- Уверете се, че наоколо няма открити пламъци.
- Сменяйте маркуча само когато газовата печка с котлони е изключена.

1. Затворете газовия вентил на газовата бутилка.
2. Отвинтете регулатора от газовата бутилка.
3. Сменете маркуча за газ.
4. Завийте регулатора върху газовата бутилка на ръка.
5. Проверете маркуча за газ за течове с помощта на пенообразуващ агент, напр. сапун.

Съхранение



ПРЕДУПРЕЖДЕНИЕ! Опасност от изгаряне

Газовата печка с котлони е много гореща по време на и след работа. Изключете газовата печка с котлони. Оставете газовата печка с котлони да се охлади, преди да я опаковате или транспортирате.

1. Затворете газовия вентил на газовата бутилка.
2. Почистете газовата печка с котлони (вижте гл. „Почистване и поддръжка“ на стр. 225).

Отстраняване на неизправности

Повреда	Възможна причина	Отстраняване
Уредът не се запалва.	Използва се грешен газ.	<ul style="list-style-type: none">▶ Уверете се, че използвате достатъчно газ. Спазвайте спецификацията за регулиране на газа за газовата печка с котлони на табелката с данни и спецификациите в гл. „Технически данни“ на стр. 228.▶ Ако е необходимо, сменете газовата бутилка (вижте гл. „Смяна на газовата бутилка“ на стр. 225).
	Газовата бутилка е празна.	<ul style="list-style-type: none">▶ Сменете газовата бутилка (вижте гл. „Смяна на газовата бутилка“ на стр. 225).
	Маркучът е дефектен.	<ul style="list-style-type: none">▶ Сменете маркуча (вижте гл. „Смяна на маркуча“ на стр. 225).
	Има неизправност или лоши връзки.	<ul style="list-style-type: none">▶ Свържете отново тръбата или маркуча (гл. „Свързване към газовата бутилка“ на стр. 223).▶ Ако е необходимо, изключете хранването с газ и се свържете с оторизиран сервиз.
	Термодвойката е дефектна.	<ul style="list-style-type: none">▶ Изключете подаването на газ и се свържете с оторизиран сервиз.
	Газовата печка с котлони е дефектна.	
Горелките на котлоните не се запалват.	Не се появява искри.	<ul style="list-style-type: none">▶ Преместете копчето за горелката на съответния котлон до най-ниско ниво и включете горелката на котлона (вижте гл. „Запалване на горелките“ на стр. 224).
Фурната не се запалва.	Не се появява искри.	<ul style="list-style-type: none">▶ Изключете фурната за 1 минута.▶ Включете фурната (вижте гл. „Регулиране на горелките“ на стр. 224).
Само за CU351MK: грилът не се запалва.	Не се появява искри.	<ul style="list-style-type: none">▶ Изключете грила за 1 минута.▶ Включете грила (вижте гл. „Използване на котлоните“ на стр. 224).

Гаранция

Важи гаранционният срок, определен от закона. Ако продуктът е дефектен, моля свържете се с търговеца или с филиала на производителя във Вашата страна (виж dometic.com/dealer).

За обработката на гаранцията и ремонта, моля приложете следните документи, когато изпращате продукта:

- Копие от фактурата с дата на покупката
- Причина за претенцията или описание на дефекта

Отбележете, че саморъчен или непрофесионален ремонт може има последствия за безопасността и да анулира гаранцията.

Изхвърляне



- ▶ По възможност предайте опаковката за рециклиране.
- ▶ Консултирайте се с местен център за рециклиране или с продавача за правилното изхвърляне на продукта в съответствие с действащите предписания.

Технически данни

	CU351MK	CU354MK
Обща номинална мощност	6,4 kW, 466 g/h	5,1 kW, 371 g/h
Номинална мощност на фурната	1,1 kW, 89 g/h	
Номинална мощност на грипа	1,3 kW, 95 g/h	-
Номинална мощност на котлоните		
Лява горелка	2,2 kW, 160 g/h	
Дясна горелка	1,8 kW, 131 g/h	
Обем на въздуха за горене	12,8 m ³ /h	10,2 m ³ /h
Налягане на свързване	фиг. 6, стр. 8	
Размери (В x Ш x Д)	508 x 450 x 358 mm	398 x 449 x 357 mm
Тегло	18,50 kg	15,50 kg
Размер на горелките на котлоните		
Лява горелка	Ø 62 mm	
Дясна горелка	Ø 70 mm	
Сертификати		

Lugege see juhend tähelepanelikult läbi ja järgige kõiki selles esitatud juhiseid, suuniseid ja hoiatusi, et tagada alati toote õigesti paigaldamine, kasutamine ning hooldamine. Juhend PEAB jääma selle toote juurde.

Toote kasutamise kinnitate, et olete kõik juhised, suunised ja hoiatused tähelepanelikult läbi lugenud ning mõistate ja nõustute järgima nendes sätestatud tingimusi. Nõustute kasutama seda toodet üksnes ettenähtud eesmärgil ja otstarbel ning kooskõlas tootejuhendis sätestatud juhiste, suuniste ja hoiatustega, samuti kooskõlas kõigi kohaldatavate õigusaktide ja eeskirjadega. Siin sätestatud juhiste ja hoiatuste lugemise ja järgimise eiramine võib põhjustada vigastusi teile ja kolmandatele isikutele, kahjustada teie toodet või läheduses asuvat muud vara. Toote tootejuhendit, sh juhiseid, suuniseid ja hoiatusi ning nendega seotud dokumentatsiooni, võidakse muuta ja uuendada. Värskeima tooteteabe leiате veebisaidil documents.dometic.com.

Sisukord

Sümbolite selgitus	229
Ohutusjuhised	229
Tarnepakk	231
Sihtrühmad	232
Kasutusotstarve	232
Tehniline kirjeldus	232
Paigaldamine	233
Käitamine	234
Energiasääst	235
Puhastamine ja hooldamine	235
Hoiustamine	236
Tõrgete kõrvaldamine	237
Garantii	237
Kõrvaldamine	238
Tehnilised andmed	238

Sümbolite selgitus



HOIATUS!

Ohutusjuhiseid: viitab ohtlikule olukorrale, mis eiramise korral võib lõppeda surma või raske vigastusega.



ETTEVAATUST!

Ohutusjuhiseid: viitab ohtlikule olukorrale, mis eiramise korral võib lõppeda kerge või keskmise vigastusega.



TÄHELEPANU!

Viitab ohtlikule olukorrale, mis eiramise korral võib lõppeda varalise kahjuga.



MÄRKUS

Lisateave toote käitamiseks.

Ohutusjuhised

Eelmärkused

- Enne paigaldamist veenduge, et kohalikud jaotustingimused (gaasi omadused ja rõhk) ning seadme reguleerimine ühilduksid.
- Seadme reguleerimistingimused on kirjas märgisel (või andmeplaadil).
- See seade ei ole ühendatud põlemissaaduste eemaldamise seadmega. See tuleb paigaldada ja ühendada kehtivate paigalduseeskirjadega kooskõlas. Eriti tuleb tähelepanu pöörata ventilatsiooni puudutavatele nõuetele.

Üldine ohutus



HOIATUS! Nende hoiatuste mittejärgimine võib põhjustada raskeid vigastusi või surma.

Plahvatusoht

- Seda seadet võivad remontida ainult spetsialistid. Valed remonditööd võivad tekitada suurt kahju.
- Seade tuleb paigaldada kasutusriigis kehtivate riiklike määrustega kooskõlas.
- Seadet tohib kasutada ainult hästi ventileeritud ruumis.
- Enne seadme paigaldamist või kasutamist lugege juhiseid.
- Ärge seadet muutke.
- Ärge eemaldage ega asendage ühtki selle seadme komponenti.
- Gaasivoolikut tuleb välja vahetada, kui riiklikud määrused seda nõuavad.
- Ärge gaasivarustusvoolikut väänake, venitage, kokku suruge ega rakendage sellele mis tahes muud koormust.

Tuleoht

- Ärge jätke seadet järelevalveta, kui see on kuum või seda kasutatakse.
- Lapsi tuleb valvata, et oleks kindel, et nad seadmega ei mängi.

- Hoidke sobiv tulekustuti käepärast. Veenduge, et pädevad isikud kontrolliks tulekustutit regulaarselt.

Põletusohht

- Hoidke käed, nägu ja juuksed põletitest eemal.
- Ärge kandke avaraid rõivaid ega jätke pikki juukseid lahti, kui seadet süütate või kasutate.
- Hoidke lapsed ja lemmikloomad eemal.
- Põletuste ja muude vigastuste vältimiseks jälgige tähelepanelikult kogu seadme ümber toimuvat.
- Ärge liigutage töötavat seadet.

Terviseohht

- Lapsed alates 8. eluaastast ning piiratud füüsiliste, sensoorsete või vaimsete võimetega või vajalike kogemuste ja teadmisteta isikud võivad seda seadet kasutada järelevalve all või pärast seda, kui neid on õpetatud seadet ohutult kasutama ja nad mõistavad seadme kasutamisega kaasnevat ohte.
- Lapsi tuleb valvata, et oleks kindel, et nad seadmega ei mängi.



ETTEVAATUST! Nende ettevaatusabinõude mittejärgimine võib põhjustada kergeid või mõõdukaid vigastusi.

Vigastusohht

- Kui seadmel on klaasist kaas, toimige klaasist kaane purunemise korral järgmiselt.
 - Lülitage kohe kõik põletid ja elektrikütteelemendid välja ning lahutage seadme toide.
 - Ärge puudutage seadme pinda.
 - Ärge seadet kasutage.



TÄHELEPANU! Kahjustuste ohht

- Kui seadmel on klaasist kaas, toimige järgmiselt.
 - Sulgege klaasist kaas enne sõidu alustamist.
 - Lülitage kõik põletid välja, enne kui klaasist kaane sulgete.

Ettevaatusabinõud vedelgaasi käitlemisel



HOIATUS! Nende hoiatuste mittejärgimine võib põhjustada raskeid vigastusi või surma.

Plahvatusohht

- Alati pärast kasutamist lahutage vedelgaasiballoon.

- Hoidke vedelgaasiballoon kütte- või küpsetusseadmetest ning muudest tule- või soojusallikatest eemal, hästi ventileeritud kohas, kuhu lapsed ei pääse.
- **Kunagi** ärge hoidke vedelgaasiballoon ventileerimata kohas või maa all (maapinda tehtud lehtrikujulised augud).
- **Kunagi** ärge hoidke vedelgaasiballoon sellistes hoonetes nagu garaažid.
- Siseruumis hoiustamisel tuleb järgida riiklikke määrusi.
- Ärge hoidke vedelgaasiballoon küllili.
- Hoidke vedelgaasiballoonid otsesest päikese- ja soojusest eemal. Temperatuur ei tohiks olla kõrgem kui 50 °C.

Seadme ohutu käitamine



OHT! Nende juhiste eiramine põhjustab raskeid vigastusi või surma.

Süsinikmonooksiidi mürgistuse ohht

- Vedelgaasi põlemisel tekib süsinikmonooksiid, mis koguneb suletud ruumidesse. Kasutage seda seadet ainult piisava ventilatsiooni korral.

Lämbumisohht

- Selle seadme kasutamisel ventileerimata kohas väheneb selle koha õhus hapnikusisaldus.
- Ärge kasutage seadet ruumi kütmiseks.
- Gaasipliidi kasutamisel tekib paigaldusruumis soojus, niiskus ja põlemisaadused.
 - Veenduge, et köök oleks eelkõige seadme kasutamise ajal hästi ventileeritud.
 - Hoidke loomuliku ventilatsiooni avad lahti või paigaldage ventilatsiooniseade (nt mehaaniline väljatõmbekubu).
- Seadme pikaajalisemal intensiivsel kasutamisel võib olla vajalik lisaventilatsioon, näiteks akna avamine, või tõhusam ventilatsioon, näiteks mehaaniline ventilatsioon olemasolu korral selle võimsuse suurendamine.



HOIATUS! Nende hoiatuste mittejärgimine võib põhjustada raskeid vigastusi või surma.

Plahvatusohht

- Ärge kasutage seda seadet, kui see lekib, on kahjustatud või ei tööta korralikult.

- Kunagi ärge kasutage seadet järgmistes olukordades:
 - tanklates
 - parvlaevadel
 - haagissuvila või matkaauto transportimisel treileri või puksiiriga
- Tulekahju korral lülitage gaasivarustus välja.
- Ärge pange seadme lähedale kemikaale, tuleohtlikke materjale ega aerosoole.
- Kunagi ärge kasutage gaasilekete kontrollimiseks lahtist leeki.
- Gaasilõhna korral toimige järgmiselt.
 - Ärge püüdke seadet süüdata.
 - Kustutage lahtine leek.
 - Lülitage gaasivarustus välja.
 - Lahutage seade gaasivarustusest.
 - Kui kasutate seadet siseruumis, avage aknad ja lahkuge sõidukist.
 - Laske spetsialistil gaasisüsteemi kontrollida.
- Ühendage või lahutage gaasiballoon ainult välis-tingimustes, lahtisest leegist, pilootleegist või muust süüteallikast eemal ja ainult juhul, kui seade on käega katsudes jahe.
- Enne gaasiballooni kasutamist kontrollige, kas seadme ja gaasiballooni vaheline tihend on paigas ja heas seisukorras.
- Kui tihend on kahjustatud või kulunud, ärge seadet kasutage.
- Pärast kasutamist lülitage gaasivarustus gaasiballoonilt välja.

Tuleoht

- Seadet tuleb kasutamise ajal tuleohtlikest materjalidest eemal hoida.
- Pange seadmele või selle vastu ainult kööginõusid.
- Kunagi ärge paigutage seda seadet tuleohtlike materjalide lähedale (paber, kuivad lehed, tekstiilid).
- Hoidke tuleohtlikud esemed põletist eemal.
- Seadke kööginõude käepidemed järgmiselt.
 - Jälgige, et kööginõude käepidemed ei ulatuks üle seadme serva.
 - Keerake kööginõude käepidemed sissepoole, kuid mitte teiste põletite kohale.
- Ärge rasva või õli liigselt kuumutage.
- Kasutage kööginõude käsitlemiseks ainult kuivi pajalappe.
- Enne kööginõude eemaldamist lülitage seade välja.

- Seadet tohib kasutada ainult täiskasvanu järelevalve all.

Põletusohu

- Juurdepääsetavad osad võivad olla väga kuumad. Hoidke väikesed lapsed eemal.



ETTEVAATUST! Nende ettevaatusabinõude mittejärgimine võib põhjustada kergeid või mõõdukaid vigastusi.

Põletusohu

- Kasutage kuumade komponentide käsitlemisel kaitsekindaid.
- Laske seadmel maha jahtuda, enne kui seda paljaste kätega puudutate.
- Põleti käsitsi süütamisel toimige järgmiselt.
 - Kasutage pikki tikke või sobivat süütlit.
 - Võtke käed kiiresti eemale, kui põleti süttib.
- Alkoholi või retsepti- või muude ravimite kasutamine võib halvendada teie võimet seadet õigesti kokku panna või turvaliselt kasutada.



TÄHELEPANU! Kahjustuste oht

- Ärge kasutage välist taimerit või kaugjuhtimissüsteemi.

Tarnepak

Nr joonis 1 , lehekül g 3	Komponent	Total
1	Kööginõude tugi	1
2	Ahjuplaat	1
3	Ahjurest	1
4	Pliit ja gaasiahi	1
5	Kinnituskronstein	2

Sihtrühmad



Gaasiühenduse peab looma kvalifitseeritud isik, kes on tõestanud oma oskusi ja teadmisi elektrisüsteemi ülesehituse ning paigaldamise ja kasutamise osas ning kes on läbinud ohutusalase koolituse, et tuvastada ja vältida vastavaid ohtusid.

Kasutusotstarve

Pliit ja gaasiahj on mõeldud toidu tavapäraseks küpsetamiseks.

Ainult CU351MK: pliit ja gaasiahj on mõeldud ka toidu grillimiseks.

Pliit ja gaasiahj on mõeldud kasutamiseks ainult paatides ja teistes veesõidukites. Suletud ruumides kasutamisel tuleb täita nõuded, mida kirjeldatakse joonis 5, lehekülj 7. Kui 3 seinä korral peab 30% kogu seinapinnast olema avatud ja takistusteta.

Pliit ja gaasiahj **ei** ole mõeldud kasutamiseks jah-tide tekkidel, sõidukites ega hoonetes.

See toode sobib kasutamiseks üksnes ettenähtud otstarbel ja käesolevas kasutusjuhendis toodud valdkonnas.

Käesolev juhend sisaldab teavet, mis on vajalik toote korrektseks paigaldamiseks ja/või kasutamiseks. Halva paigalduse ja/või valesti kasutamise või hooldamise korral halvenevad tööomadused ja võib tekkida rike.

Tootja ei võta vastutust mis tahes kahju või toote-kahjustuse eest, mis on tingitud mõnest järgmisest asjaolust:

- valesti kokkupanek või ühendamine, sh liig-pinge;
- valesti hooldamine või tootja poolt ette nähtud originaalvaruosadest erinevate varuosade kasutamine;
- tootja ilma tootja selge loata tehtud muudatused;
- kasutamine otstarbel, mida ei ole kasutusjuhendis kirjeldatud.

Kampa jätab endale õiguse muuta toote välimust ja tehnilisi näitajaid.

Tehniline kirjeldus

Pliidi ja gaasiahjuga saab toitu tavapäraselt küpsetada.

Ainult CU351MK: pliidi ja gaasiahjuga saab ka grillida.

Pliit ja gaasiahj on kinnitatud kinnituskronsteinide ja tihvtiga, mis tagavad seadme paigalpüsivuse laine-tuse korral. Seadmel on kööginõude tugi, mis tagab kööginõude kindla pliidiil püsivuse, nii et see lainetuse tõttu ei libiseks.

Pliit ja gaasiahj peavad olema ühendatud gaasibal-looniga.

CU354MK

Nr joonis 2, lehekülj 4	Komponent
1	Kööginõude tugi
2	Ahju temperatuurinupp
3	Ahjarest
4	Ahjuplaat
5	Ahjuuks
6	Parempoolse pliidiipõleti temperatuurinupp
7	Vasakpoolse pliidiipõleti temperatuurinupp

CU351MK

Nr joonis 3, lehekülj 5	Komponent
1	Kööginõude tugi
2	Ahju temperatuurinupp
3	Grilli temperatuurinupp
4	Grill

Nr joonis 3 , lehekülj 5	Komponent
5	Ahjuplaat
6	Ahjurest
7	Ahjuuks
8	Parempoolse pliidi põleti temperatuurinupp
9	Vasakpoolse pliidi põleti temperatuurinupp

Temperatuurinupud

Ahju temperatuuri ja põletite leegi suurust saab reguleerida (joonis **4**, lehekülj 6).

Ahju temperatuurivahemikud

Nr	1	2	3
Temperatuur	130 °C	160 °C	180 °C

Nr	4	5	6
Temperatuur	200 °C	220 °C	240 °C

Paigaldamine



HOIATUS! Plahvatusoht

- Enne pliidi ja gaasihju paigaldamist veenduge, et gaasi kvaliteet ja rõhk ning gaasivarustuse regulaatorid ühilduks pliidi ja gaasihjuga. Järgige pliidi ja gaasihju andmeplaadile märgitud gaasimääruste andmeid ning jaotises peatükk „Tehnilised andmed“ leheküljel 238 esitatud andmeid.
- Pliit ja gaasiahi ei ole tõmbekapiga ühendatud. Paigaldage pliit ja gaasiahi kehtivate paigalduseeskirjadega kooskõlas.

Paigalduskoha valimine

Pliidi ja gaasihju paigaldamiseks koha valimisel pidage kinni järgmistest juhistest.

- Seadke pliit ja gaasiahi välistingimustesse või suletud ruumi, mis vastab jaotises joonis **5**, lehekülj 7 kirjeldatud nõuetele.
- Kohas peab olema hea ventilatsioon.
- Ärge pange pliiti ja gaasihju süvendisse, et vältida gaaside kogunemist.
- Hoidke pliit ja gaasiahi tuule ja otsese tuuletõmbe eest kaitstult.
- Aluspind peab olema tugev, ühetasane ja stabiilne.
- Korpus ja grilliskamber muutuvad kasutamisel väga kuumaks. Pliit ja gaasiahi peavad olema alusel, mis talub vähemalt 80 °C kuumust.

Gaasiballooni ühendamine

Pliit ja gaasiahi töötab kasutuskoha riigi kaubanduses saadaolevate gaasiballoonidega (joonis **6**, lehekülj 8).

Gaasiballoon peab vastama järgmistele tingimustele.

- Gaasiballoon tuleb alati panna selleks ette nähtud kambrisse.
- Gaasiballoon tuleb alati asetada vertikaalselt.
- Gaasiballoonil peab olema hõlpsalt juurdepääsetav regulaator, mida ei tohi kinni katta.

Seadme gaasiga varustamiseks tuleb kasutada jäika metalltoru, mille ühendused on tihendatud. Painduva vooliku kasutamisel tuleb täita järgmised tingimused.

- Voolik peab olema kontrollimiseks hästi juurdepääsetav.
- Voolik peab olema kaitstud kokkupuute eest teiste kuumenevate osadega.
- Voolik peab olema kahjustuste eest kaitstud.
- Voolik peab olema kaitstud liikuvate osade, nt sahtlite, poolt kokkusurumise eest.
- Voolik ei tohi olla pikem kui 1,5 m.
- Voolik tuleb välja vahetada enne aegumiskuupäeva.

1. Ühendage gaasiballooni toru või voolik pliidi ja gaasiahjuga (joonis **7** kuni joonis **8**, lehekülg 9).
Voolik tuleb kinnitada sobiva pingutusvahendiga, näiteks sobiva mutrivõtmeaga, et tagada gaasikindel tihendus.
2. Kontrollige gaasivooliku või -toru lekkimist vahutava aine, nt seebi, abil.



HOIATUS! Plahvatusoht

Ärge kasutage gaasivarustuse lekete kontrollimiseks leeki ega korrosiivset vedelikku.

Pliidi ja gaasiahju paigaldamine

1. Tagage piisav kaugus seintest ja teistest korpustest (vt joonis **9**, lehekülg 10).
2. Paigaldage pliit ja gaasiahji, nagu näidatud joonis **10** kuni joonis **11**, lehekülg 11.

Käitamine



HOIATUS! Plahvatusoht

- Süüdake põletid kohe, kui gaasivarustus on sisse lülitatud. Vastasel juhul võib gaas põleti ümbruses koguneda ja plahvatuse põhjustada.
- Kogu süüteprotsess peab olema ülalt nähtav, pliidile asetatud kööginõud ei tohi seda varjata.



TÄHELEPANU! Kahjustuste oht

Ainult CU351MK: ärge kasutage grilli kauem kui 25 minutit.



MÄRKUS

- Pliidi ja gaasiahju kasutamise ajal võib kuulda vaikset müra, mida tekitab väljuv gaas.
- Pliidi ja gaasiahju esmakordsel kasutamisel võib tekkida suitsu. Seda põhjustab masinaõli jääkide põlemine, mis peaks lõppema ligikaudu 10 minuti pärast.
- **Ainult CU351MK:** grilli ei saa ahjuna kasutada.
- Propani (G31) kasutamisel on leek kollase tipuga sinine.
- Butaani (G30) kasutamisel on leek süütamisel kollase tipuga sinine. Kollane tipp muutub põleti kuumenemisel intensiivsemaks.

Põletite süütamine

- Süüdake pliit, nagu näidatud joonis **12** (1) lehekülg 12 ja joonis **13**, lehekülg 13.
- **Ainult CU351MK:** süüdake grill, nagu näidatud joonis **12** (2) lehekülg 12 ja joonis **14**, lehekülg 14.
- Süüdake ahi, nagu näidatud joonis **12** (3) lehekülg 12 ja joonis **15**, lehekülg 13.

Põletite reguleerimine



TÄHELEPANU! Kahjustuste oht

Veenduge, et ahjuplaat, ahjurest ja kööginõud ei puutuks ahjus leegiga kokku.



MÄRKUS

- Pärast ahju esmakordset süütamist jätke ahi enne reguleerimist vähemalt 30 minutiks kõrgeimale temperatuurile.
 - Pärast pliidi esmakordset süütamist jätke vastav pliidi leek enne reguleerimist 15 – 20 minutiks suurimale tasemele.
- Seadke vastav temperatuuriregulaator soovitud temperatuurile või leegi suurusele (vt peatükk „Temperatuurinupud“ leheküljel 233 ja peatükk „Ahju temperatuurivahemikud“ leheküljel 233).
- ✓ Ahju põleti süütamisel jääb leek suurimale tasemele. Kui ahi saavutab seatud temperatuuri, siis leegi suurus väheneb automaatselt.

Pliidi kasutamine



HOIATUS! Tuleoht

Leek ei tohi kööginõu serva alt välja ulatuda. Seadke kööginõu põleti keskele ja tagage kööginõude toe abil nõud stabiilsus.

- ▶ Kasutage kindlasti sobivaid kööginõusid. Pidage silmas pliidi põleti ja kööginõu diameetrit.

Pliidi põleti diameeter	Kööginõu diameeter
∅ 62 mm	16 – 22 cm
∅ 77 mm	16 – 22 cm

- ▶ Toestage kööginõu kööginõude toega, kasutades kööginõude toel olevaid nuppe (vt joonis **16**, lehekülj 16).

Grilli kasutamine (ainult CU351MK)



ETTEVAATUST! Põletusohu

- Tõmmake välja kuumuskaitse, et kaitsta nuppude kuumenemist grilli tõttu.
- Kuumuskaitse on väga kuum grilli kasutamise ajal ja pärast seda. Kandke kuumuskaitse puudutamisel kaitsekindaid.

- ▶ Kasutage kuumuskaitset, nagu näidatud joonis **17**, lehekülj 16.

Pliidi ja gaasihju väljalülitamine

- ▶ Lülitage pliit ja gaasiahju välja, nagu näidatud joonis **18**, lehekülj 17.

Energiasääst

- ▶ Pärast kasutamist lülitage pliit ja gaasiahju välja (vt peatükk „Pliidi ja gaasihju väljalülitamine“ leheküljel 235).
- ▶ Ahju kasutamise ajal sulgege ahjuuks.

Puhastamine ja hooldamine



HOIATUS! Plahvatusoht

Ärge kasutage gaasivarustuse lekete kontrollimiseks leeki ega korrosiivset vedelikku.



ETTEVAATUST! Põletusohu

Pliit ja gaasiahju on kasutamise ajal ning pärast seda väga kuumad. Lülitage pliit ja gaasiahju välja. Enne puhastamist, kokkupakkimist või transportimist laske pliidiil ja gaasiahjul maha jahtuda.



TÄHELEPANU! Kahjustuste oht

- Ärge kasutage pliidi ja gaasihju puhastamiseks abrasiivseid, korrosiivseid, klooritud ja koredaid puhastusvahendeid või harju.
- Ärge kasutage aurupuhasteid.
- Ärge kasutage gaasikontuuri puhastamiseks suruõhku.
- Eemaldage pliidiil ja gaasihjust äädikad, soolad, sidrunhape või muud happelised või leeliselised ained.

- ▶ Puhastage pliiti ja gaasihju niiske lapi ja neutraalsete puhastusvahenditega (joonis **19**, lehekülj 17).
- ▶ Puhastage ahju põletit veega, nagu näidatud joonis **20**, lehekülj 18.
- ▶ Gaasipihustite puhastamiseks või vahetamiseks võtke ühendust volitatud teeninduskeskusega.

Põletite hooldamine



HOIATUS! Tuleoht

Põletite sisse võivad ämblikud võrke kududa ja putkad võivad sinna pesi teha. Need võrgud ja pesad võivad gaasivoolu takistada ning tulekahju põhjustada. Eemaldage põleti seest kõik putkad, ämblikud, pesad või võrgud.

1. Kontrollige põleteid kaks korda kuus võrkude ja pesade tuvastamiseks.
2. Vajaduse korral eemaldage põleti seest putkad, ämblikud, pesad ja võrgud.

Gaasiballooni vahetamine



HOIATUS! Terviseoht

- Vahetage gaasiballooni hästi ventileeritud kohas.
- Veenduge, et ümbruses ei oleks lahtist leeki.
- Vahetage gaasiballooni ainult siis, kui pliit ja gaasiahi on välja lülitatud.

1. Sulgege gaasiballooni gaasiklapp.
2. Keerake regulaator gaasiballooni küljest lahti.
3. Kui kasutate gaasivoolikut, veenduge, et see ei oleks defektne.
4. Vajaduse korral vahetage voolik (vt peatükk „Vooliku vahetamine“ leheküljel 236).
5. Keerake regulaator käsitsi uuele gaasiballoonile.

Vooliku vahetamine



HOIATUS! Terviseoht

- Vahetage voolikut hästi ventileeritud kohas.
- Veenduge, et ümbruses ei oleks lahtist leeki.
- Vahetage voolikut ainult siis, kui pliit ja gaasiahi on välja lülitatud.

1. Sulgege gaasiballooni gaasiklapp.
2. Keerake regulaator gaasiballooni küljest lahti.
3. Vahetage gaasivoolik välja.
4. Keerake regulaator käsitsi gaasiballoonile.
5. Kontrollige gaasivooliku lekkimist vahutava aine, nt seebi, abil.

Hoiustamine



HOIATUS! Põletusoht

Pliit ja gaasiahi on kasutamise ajal ning pärast seda väga kuumad. Lülitage pliit ja gaasiahi välja. Enne kokkupakkimist või transportimist laske pliidil ja gaasiahjul maha jahtuda.

1. Sulgege gaasiballooni gaasiklapp.
2. Puhastage pliit ja gaasiahi (vt peatükk „Puhastamine ja hooldamine“ leheküljel 235).

Tõrgete kõrvaldamine

Tõrge	Võimalik põhjus	Kõrvaldamine
Seade ei sütti.	Kasutatakse vale gaasi.	<ul style="list-style-type: none">▶ Veenduge, et kasutate piisavalt gaasi. Järgige pliidi ja gaasiahju andmeplaadile märgitud gaasimääruste andmeid ning jaotises peatükk „Tehnilised andmed“ leheküljel 238 esitatud andmeid.▶ Vajaduse korral vahetage gaasiballoon (vt peatükk „Gaasiballoon vahetamine“ leheküljel 236).
	Gaasiballoon on tühi.	<ul style="list-style-type: none">▶ Vahetage gaasiballoon (vt peatükk „Gaasiballoon vahetamine“ leheküljel 236).
	Voolik on defektne.	<ul style="list-style-type: none">▶ Vahetage voolik välja (vt peatükk „Vooliku vahetamine“ leheküljel 236).
	Tekkinud on rike või ühendus on puudulik.	<ul style="list-style-type: none">▶ Ühendage toru või voolik uuesti (peatükk „Gaasiballoon ühendamine“ leheküljel 233).▶ Vajaduse korral lülitage gaasivarustus välja ning võtke ühendust volitatud hooldustehnikuga.
	Termopaar on defektne.	<ul style="list-style-type: none">▶ Lülitage gaasivarustus välja ning võtke ühendust volitatud hooldustehnikuga.
	Pliit ja gaasiahj on defektsed.	
Pliidi põletid ei sütti.	Sädet ei teki.	<ul style="list-style-type: none">▶ Seadke vastav pliidi põleti madalaimale tasemele ja lülitage pliidi põleti sisse (vt peatükk „Põletite süütamine“ leheküljel 234).
Ahi ei sütti.	Sädet ei teki.	<ul style="list-style-type: none">▶ Lülitage ahi 1 minutiks välja.▶ Lülitage ahi sisse (vt peatükk „Põletite reguleerimine“ leheküljel 234).
Ainult CU351MK: grill ei sütti.	Sädet ei teki.	<ul style="list-style-type: none">▶ Lülitage grill 1 minutiks välja.▶ Lülitage grill sisse (vt peatükk „Pliidi kasutamine“ leheküljel 235).

Garantii

Kehtib seadusega ettenähtud garantii. Kui toode on defektne, võtke ühendust edasimüüjaga või tootja kohaliku filiaaliga (vaadake

dometic.com/dealer).

Remondi- ja garantiitööde tegemiseks lisage alljärgnevad dokumendid, kui toote meile saadate:

- Ostukuupäevaga arve koopia

- Kaebuse põhjus või vea kirjeldus

Pange tähele, et kui parandate ise või lasete mitte-kutselisel parandajal seda teha, võib see ohutust mõjutada ja garantii kehtetuks muuta.

Kõrvaldamine



- Kui võimalik, pange pakkematerjal vastavasse ringlussevõetava prügi kasti.
- Küsige nõu kohalikust ringlussevõtukeskusest või edasimüüjalt, kuidas anda toode kehtivate jäätmekäitlusnõuetega kooskõlas jäätmekäitlusse.

Tehnilised andmed

	CU351MK	CU354MK
Kogu nimivõimsus	6,4 kW, 466 g/h	5,1 kW, 371 g/h
Ahju nimivõimsus	1,1 kW, 89 g/h	
Grilli nimivõimsus	1,3 kW, 95 g/h	–
Pliidi nimivõimsus Vasakpoolne põleti Parempoolne põleti	2,2 kW, 160 g/h 1,8 kW, 131 g/h	
Põlemisõhu kogus	12,8 m ³ /h	10,2 m ³ /h
Ühenduse rõhk	joonis 6 , lehekülg 8	
Mõõtmed (K x L x S)	508 x 450 x 358 mm	398 x 449 x 357 mm
Kaal	18,50 kg	15,50 kg
Pliidi põleti mõõt Vasakpoolne põleti Parempoolne põleti	Ø 62 mm Ø 70 mm	
Load		

Παρακαλούμε να διαβάσετε προσεκτικά το παρόν έγγραφο και να ακολουθήσετε όλες τις οδηγίες, τους κανονισμούς και τις προειδοποιήσεις που περιλαμβάνονται στο εγχειρίδιο αυτού του προϊόντος, έτσι ώστε να διασφαλίζεται πάντοτε η σωστή εγκατάσταση, χρήση και συντήρηση του προϊόντος. Αυτές οι οδηγίες ΠΡΕΠΕΙ πάντοτε να συνοδεύουν το προϊόν.

Με τη χρήση του προϊόντος επιβεβαιώνετε δια του παρόντος ότι έχετε διαβάσει προσεκτικά όλες τις οδηγίες, τους κανονισμούς και τις προειδοποιήσεις καθώς και ότι έχετε κατανοήσει και αποδέχεστε να τηρήσετε τους όρους και τις προϋποθέσεις που ορίζονται στο παρόν έγγραφο. Συμφωνείτε να χρησιμοποιείτε αυτό το προϊόν μόνο για τον προβλεπόμενο σκοπό και την προβλεπόμενη χρήση, πάντοτε σύμφωνα με τις οδηγίες, τους κανονισμούς και τις προειδοποιήσεις που ορίζονται στο παρόν εγχειρίδιο προϊόντος καθώς και σύμφωνα με όλους τους ισχύοντες νόμους και κανονισμούς. Σε περίπτωση μη ανάγνωσης και τήρησης των οδηγιών και των προειδοποιήσεων που ορίζονται στο παρόν έγγραφο, ενδέχεται να προκληθούν τραυματισμοί σε εσάς τον ίδιο και σε τρίτους, ζημιά στο προϊόν σας ή υλικές ζημιές σε άλλες ιδιοκτησίες στο άμεσο περιβάλλον. Αυτό το εγχειρίδιο προϊόντος, συμπεριλαμβανομένων των οδηγιών, των κανονισμών, των προειδοποιήσεων και των σχετικών εγγράφων, ενδέχεται να υποβληθεί σε τροποποιήσεις και ενημερώσεις. Για τις ενημερωμένες πληροφορίες προϊόντος, επισκεφθείτε την ηλεκτρονική διεύθυνση documents.domestic.com.

Περιεχόμενα

Επεξήγηση των συμβόλων	239
Υποδείξεις ασφαλείας	239
Περιεχόμενα συσκευασίας	242
Ομάδες στόχος	243
Προβλεπόμενη χρήση	243
Τεχνική περιγραφή	243
Εγκατάσταση	244
Λειτουργία	246
Εξοικονόμηση ενέργειας	247
Καθαρισμός και συντήρηση	247
Αποθήκευση	249
Αντιμετώπιση βλαβών	250
Εγγύηση	251
Απόρριψη	251
Τεχνικά χαρακτηριστικά	252

Επεξήγηση των συμβόλων



ΠΡΟΕΙΔΟΠΟΙΗΣΗ!

Οδηγία ασφαλείας: Καταδεικνύει μια επικίνδυνη κατάσταση, η οποία εάν δεν αποτραπεί, μπορεί να προκληθεί θανατηφόρο ατύχημα ή σοβαρός τραυματισμός.



ΠΡΟΦΥΛΑΞΗ!

Οδηγία ασφαλείας: Καταδεικνύει μια επικίνδυνη κατάσταση, η οποία εάν δεν αποτραπεί, μπορεί να προκληθεί μικρής ή μέτριας σοβαρότητας τραυματισμός.



ΠΡΟΣΟΧΗ!

Καταδεικνύει μια κατάσταση, η οποία εάν δεν αποτραπεί, μπορεί να προκληθούν υλικές ζημιές.



ΥΠΟΔΕΙΞΗ

Συμπληρωματικά στοιχεία για τον χειρισμό του προϊόντος.

Υποδείξεις ασφαλείας

Προκαταρκτικές σημειώσεις

- Πριν από την εγκατάσταση, βεβαιωθείτε ότι οι τοπικές συνθήκες διανομής (είδος του αερίου και πίεση του αερίου) και η ρύθμιση της συσκευής είναι συμβατές μεταξύ τους.
- Οι συνθήκες ρύθμισης για αυτή τη συσκευή αναφέρονται στην ετικέτα σήμανσης (ή στην πινακίδα στοιχείων).
- Αυτή η συσκευή δεν επιτρέπεται να συνδεθεί σε διάταξη απαγωγής των προϊόντων καύσης. Πρέπει να έχει εγκατασταθεί και να έχει συνδεθεί σύμφωνα με τους ισχύοντες κανονισμούς εγκατάστασης. Ιδιαίτερη προσοχή πρέπει να δίνεται στις απαιτήσεις που αφορούν στον εξαερισμό.

Βασική ασφάλεια



ΠΡΟΕΙΔΟΠΟΙΗΣΗ! Η μη τήρηση αυτών των προειδοποιήσεων ενδέχεται να έχει ως αποτέλεσμα την πρόκληση θανάτου ή σοβαρού τραυματισμού.

Κίνδυνος έκρηξης

- Η επισκευή αυτής της συσκευής επιτρέπεται να πραγματοποιείται μόνο από εξειδικευμένο τεχνικό προσωπικό. Σε περίπτωση μη ενδεδειγμένων επισκευών, ενδέχεται να προκληθούν σοβαροί κίνδυνοι.
- Αυτή η συσκευή πρέπει να εγκαθίσταται σύμφωνα με τους εθνικούς κανονισμούς που ισχύουν στη χώρα χρήσης.
- Αυτή η συσκευή πρέπει να χρησιμοποιείται μόνο σε καλά αεριζόμενους χώρους.
- Διαβάστε τις οδηγίες πριν από την εγκατάσταση ή τη χρήση της συσκευής.
- Μην τροποποιείτε τη συσκευή.
- Μην αφαιρέσετε ή αντικαταστήσετε επιμέρους εξαρτήματα αυτής της συσκευής.
- Ο εύκαμπτος σωλήνας αερίου πρέπει να αντικαθίσταται, εάν αυτό απαιτείται από τους εθνικούς κανονισμούς.
- Μη συστρέψετε, τεντώνετε, συνθλίβετε ή ασκείτε οποιοδήποτε φορτίο στον εύκαμπτο σωλήνα τροφοδοσίας αερίου.

Κίνδυνος πυρκαγιάς

- Μην αφήνετε τη συσκευή χωρίς επίτηρηση, όταν είναι θερμή ή σε λειτουργία.
- Τα παιδιά πρέπει να επιτηρούνται, για να διασφαλίζεται ότι δεν παίζουν με τη συσκευή.
- Διατηρήστε έναν κατάλληλο πυροσβεστήρα σε ετοιμότητα. Βεβαιωθείτε ότι ο πυροσβεστήρας ελέγχεται από εξειδικευμένο προσωπικό ανά τακτά χρονικά διαστήματα.

Κίνδυνος εγκαύματος

- Διατηρήστε τα χέρια, το πρόσωπο και τα μαλλιά σας μακριά από τους καυστήρες.
- Μη φοράτε φαρδιά ρούχα ή αφήνετε τα μαλλιά μαλλιά ελεύθερα, όταν ανάβετε ή χρησιμοποιείτε αυτή τη συσκευή.
- Κρατήστε τα παιδιά και τα κατοικίδια μακριά από τη συσκευή.

- Παρακολουθήστε προσεκτικά όλες τις δραστηριότητες γύρω από αυτή τη συσκευή, για να αποφύγετε την πρόκληση εγκαυμάτων ή άλλων τραυματισμών.
- Μη μετακινείτε τη συσκευή κατά τη λειτουργία της.

Κίνδυνος για την υγεία

- Αυτή η συσκευή μπορεί να χρησιμοποιηθεί από παιδιά ηλικίας 8 ετών και επάνω και άτομα με μειωμένες φυσικές, αισθητηριακές ή πνευματικές ικανότητες ή με έλλειψη εμπειρίας και γνώσεων, εάν επιτηρούνται ή τους έχουν δοθεί οδηγίες σχετικά με τη χρήση της συσκευής με ασφαλή τρόπο και κατανοούν τους σχετικούς κινδύνους.
- Τα παιδιά πρέπει να επιτηρούνται, για να διασφαλίζεται ότι δεν παίζουν με τη συσκευή.



ΠΡΟΦΥΛΑΞΗ! Η μη τήρηση αυτών των συστάσεων ενδέχεται να έχει ως αποτέλεσμα την πρόκληση ελαφρού ή μέτριου τραυματισμού.

Κίνδυνος τραυματισμού

- Εάν η συσκευή διαθέτει γυάλινο κάλυμμα, σε περίπτωση θραύσης του γυάλινου καλύμματος:
 - Σβήστε αμέσως όλους τους καυστήρες και τυχόν ηλεκτρικά θερμαντικά στοιχεία και αποσυνδέστε τη συσκευή από την τροφοδοσία ηλεκτρικού ρεύματος.
 - Μην ακουμπάτε την επιφάνεια της συσκευής.
 - Μην χρησιμοποιείτε τη συσκευή.



ΠΡΟΣΟΧΗ! Κίνδυνος πρόκλησης ζημιάς

- Εάν η συσκευή διαθέτει γυάλινο κάλυμμα:
 - Κλείστε το γυάλινο κάλυμμα, πριν ξεκινήσετε ένα ταξίδι.
 - Σβήστε όλους τους καυστήρες, πριν κλείσετε το γυάλινο κάλυμμα.

Προληπτικά μέτρα ασφαλείας κατά τη χρήση υγραερίου



ΠΡΟΕΙΔΟΠΟΙΗΣΗ! Η μη τήρηση αυτών των προειδοποιήσεων ενδέχεται να έχει ως αποτέλεσμα την πρόκληση θανάτου ή σοβαρού τραυματισμού.

Κίνδυνος έκρηξης

- Μετά από τη χρήση, η φιάλη υγραερίου πρέπει πάντοτε να αποσυνδύεται.
- Αποθηκεύστε τις φιάλες υγραερίου μακριά από συσκευές θέρμανσης ή μαγειρέματος και άλλες πηγές φωτός ή θερμότητας, σε καλά αεριζόμενους χώρους μακριά από παιδιά.
- Μην αποθηκεύετε **ποτέ** φιάλες υγραερίου σε μη αεριζόμενους χώρους ή κάτω από το επίπεδο του εδάφους (σε κωνικούς λάκκους στο έδαφος).
- Μην αποθηκεύετε **ποτέ** φιάλες υγραερίου σε κτίρια, όπως οι κλειστοί χώροι στάθμευσης.
- Για οποιαδήποτε αποθήκευση σε κλειστό χώρο, πρέπει να πληρούνται οι εθνικοί κανονισμοί.
- Οι φιάλες υγραερίου πρέπει να αποθηκεύονται πάντοτε σε όρθια θέση.
- Προστατέψτε τις φιάλες υγραερίου από την άμεση ηλιακή ακτινοβολία. Η θερμοκρασία δεν επιτρέπεται να υπερβεί τους 50 °C.

Ασφαλής λειτουργία της συσκευής



ΚΙΝΔΥΝΟΣ! Η μη τήρηση αυτών των οδηγιών θα έχει ως αποτέλεσμα την πρόκληση θανάτου ή σοβαρού τραυματισμού.

Κίνδυνος δηλητηρίασης από μονοξείδιο του άνθρακα

- Κατά τη διαδικασία καύσης του υγραερίου παράγεται μονοξείδιο του άνθρακα, το οποίο συσσωρεύεται μέσα στους κλειστούς χώρους. Χρησιμοποιήστε αυτή τη συσκευή μόνο σε χώρους με επαρκή αερισμό.

Κίνδυνος ασφυξίας

- Η λειτουργία αυτής της συσκευής σε μη αεριζόμενο χώρο θα προκαλέσει μείωση του οξυγόνου στον χώρο αυτόν.
- Μη χρησιμοποιείτε τη συσκευή ως θερμαντήρα χώρου.
- Κατά τη χρήση μιας μαγειρικής συσκευής αερίου παράγονται θερμότητα, υγρασία και προϊόντα καύσης στον χώρο, στον οποίο είναι εγκατεστημένη η συσκευή.
 - Βεβαιωθείτε ότι η κουζίνα αερίζεται καλά, ιδιαίτερα όταν η συσκευή είναι σε λειτουργία.
 - Διατηρήστε τα ανοίγματα φυσικού αερισμού ανοιχτά ή εγκαταστήστε μια μηχανική συσκευή εξαερισμού (π.χ. μηχανικός απορροφητήρας εξαερισμού).
- Σε περίπτωση παρατεταμένης εντατικής χρήσης της συσκευής, ενδέχεται να απαιτείται πρόσθετος αερισμός, όπως π.χ. με το άνοιγμα ενός παραθύρου, ή πιο αποτελεσματικός εξαερισμός, όπως π.χ. μέσω της αύξησης της βαθμίδας του μηχανικού συστήματος εξαερισμού, όπου υπάρχει.



ΠΡΟΕΙΔΟΠΟΙΗΣΗ! Η μη τήρηση αυτών των προειδοποιήσεων ενδέχεται να έχει ως αποτέλεσμα την πρόκληση θανάτου ή σοβαρού τραυματισμού.

Κίνδυνος έκρηξης

- Μη χρησιμοποιείτε αυτή τη συσκευή, εάν παρουσιάζει διαρροή, έχει υποστεί ζημιά ή δεν λειτουργεί σωστά.
- Μη χρησιμοποιείτε ποτέ τη συσκευή στις παρακάτω καταστάσεις:
 - Σε πρατήρια καυσίμων
 - Σε φέριμποτ
 - Κατά τη μεταφορά του συρόμενου ή αυτοκινούμενου τροχόσπιτου με μεταφορικό ή ρυμουλκό όχημα
- Σε περίπτωση φωτιάς, κλείστε την τροφοδοσία αερίου.
- Μην τοποθετείτε χημικά, εύφλεκτα υλικά ή αερολύματα σπρέι κοντά σε αυτή τη συσκευή.
- Μη χρησιμοποιείτε ποτέ γυμνή φλόγα, για να ελέγξετε τη συσκευή για διαρροές.

- Σε περίπτωση οσμής αερίου:
 - Μην επιχειρήσετε να ανάψετε αυτή τη συσκευή.
 - Σβήστε τυχόν γυμνές φλόγες.
 - Κλείστε την τροφοδοσία αερίου.
 - Αποσυνδέστε τη συσκευή από την τροφοδοσία αερίου.
 - Εάν η συσκευή χρησιμοποιείται σε εσωτερικό χώρο, ανοίξτε τα παράθυρα και αποβιβάστε από το όχημα.
 - Αναθέστε τον έλεγχο του συστήματος αερίου σε ειδικευμένο τεχνικό.
- Η σύνδεση και η αποσύνδεση της φιάλης αερίου πρέπει να πραγματοποιούνται μόνο σε εξωτερικό χώρο, μακριά από γυμνές φλόγες, φλόγες οδηγούς ή άλλες πηγές ανάφλεξης και μόνο αφού αυτή η συσκευή έχει κρυώσει τόσο, ώστε να μπορείτε να την ακουμπήσετε.
- Πριν από τη χρήση της φιάλης αερίου, βεβαιωθείτε ότι το λάστιχο στεγανοποίησης μεταξύ αυτής της συσκευής και της φιάλης αερίου βρίσκεται στη θέση του και είναι σε καλή κατάσταση.
- Εάν το λάστιχο στεγανοποίησης έχει υποστεί ζημιά ή παρουσιάζει φθορά, μη χρησιμοποιήσετε αυτή τη συσκευή.
- Κλείστε την τροφοδοσία αερίου στη φιάλη αερίου μετά από τη χρήση.

Κίνδυνος πυρκαγιάς

- Αυτή η συσκευή πρέπει να διατηρείται μακριά από εύφλεκτα υλικά κατά τη χρήση της.
- Μην τοποθετείτε ή ακουμπάτε επάνω σε αυτή τη συσκευή αντικείμενα που δεν αποτελούν μαγειρικά σκεύη.
- Μην τοποθετείτε ποτέ αυτή τη συσκευή κοντά σε εύφλεκτα υλικά (χαρτί, ξερά φύλλα, υφάσματα).
- Διατηρείτε τυχόν εύφλεκτα αντικείμενα μακριά από τον καυστήρα.
- Τοποθετήστε τις χειρολαβές των μαγειρικών σκευών ως εξής:
 - Μην αφήνετε ποτέ τις χειρολαβές των μαγειρικών σκευών να προεξέχουν πέρα από τα άκρα της συσκευής.
 - Περιστρέψτε τις χειρολαβές των μαγειρικών σκευών προς τα μέσα, αλλά χωρίς να προεξέχουν επάνω από άλλους καυστήρες.

- Μη θερμαίνετε υπερβολικά τα λίπη ή τα έλαια.
- Χρησιμοποιήστε μόνο στεγνές πιάστρες για τον χειρισμό των μαγειρικών σκευών.
- Απενεργοποιήστε τη συσκευή πριν αφαιρέσετε τα μαγειρικά σκεύη.
- Η συσκευή αυτή επιτρέπεται να χρησιμοποιείται μόνο υπό την επιτήρηση ενός ενήλικα.

Κίνδυνος εγκαύματος

- Ορισμένα προσβάσιμα μέρη ενδέχεται να έχουν πολύ υψηλή θερμοκρασία. Διατηρήστε τη συσκευή μακριά από παιδιά.



ΠΡΟΦΥΛΑΞΗ! Η μη τήρηση αυτών των συστάσεων ενδέχεται να έχει ως αποτέλεσμα την πρόκληση ελαφρού ή μέτριου τραυματισμού.

Κίνδυνος εγκαύματος

- Χρησιμοποιήστε προστατευτικά γάντια, όταν χειρίζεστε θερμά εξαρτήματα.
- Αφήστε τη συσκευή να κρυώσει, πριν την ακουμπήσετε με γυμνά χέρια.
- Όταν ένας καυστήρας ανάβει χειροκίνητα:
 - Χρησιμοποιήστε μακριά σπύρτα ή έναν κατάλληλο αναπτήρα.
 - Απομακρύνετε τα χέρια σας γρήγορα, αμέσως μόλις ανάψει ο καυστήρας.
- Η χρήση αλκοόλ ή συνταγογραφούμενων ή μη συνταγογραφούμενων φαρμάκων ενδέχεται να επηρεάσει την ικανότητά σας για σωστή συναρμολόγηση και ασφαλή χρήση αυτής της συσκευής.



ΠΡΟΣΟΧΗ! Κίνδυνος πρόκλησης ζημιάς

- Μη χρησιμοποιείτε εξωτερικό χρονοδιακόπτη ή σύστημα τηλεχειρισμού.

Περιεχόμενα συσκευασίας

Αρ. στο σχ. 1, σελίδα 3	Εξάρτημα	Ποσότητα
1	Στήριγμα μαγειρικών σκευών	1
2	Ταψί ψησίματος	1

Αρ. στο σχ. 1, σελίδα 3	Εξάρτημα	Ποσότητα
3	Σχάρα φούρνου	1
4	Εστία και φούρνος αερίου	1
5	Στήριγμα τοποθέτησης	2

Ομάδες στόχος



Η συναρμολόγηση και η εγκατάσταση της σύνδεσης αερίου πρέπει να πραγματοποιείται από εξειδικευμένο προσωπικό, το οποίο διαθέτει αντίστοιχη κατάρτιση και επαρκείς γνώσεις σχετικά με την κατασκευή, την εγκατάσταση και τον χειρισμό συσκευών αερίου και έχει λάβει εκπαίδευση ασφαλείας για την αναγνώριση και την αποφυγή των σχετικών κινδύνων.

Προβλεπόμενη χρήση

Η εστία και ο φούρνος αερίου προορίζονται για το μαγείρεμα και το ψήσιμο φαγητού.

Μόνο CU351MK: Η εστία και ο φούρνος αερίου προορίζονται επιπρόσθετα για το ψήσιμο φαγητού στο γκριλ.

Η εστία και ο φούρνος αερίου προορίζονται για χρήση μόνο σε σκάφει και θαλάσσια οχήματα. Για τη χρήση σε κλειστούς χώρους, πρέπει να πληρούνται οι απαιτήσεις που καταδεικνύονται στο σχ. 5, σελίδα 7. Σε περιπτώσεις με 3 τοιχώματα, το 30 % του συνολικού εμβαδού των τοιχωμάτων πρέπει να είναι ανοιχτό και χωρίς περιορισμούς.

Η εστία και ο φούρνος αερίου **δεν** προορίζονται για χρήση σε καταστρώματα, οχήματα ή κτίρια.

Αυτό το προϊόν είναι κατάλληλο μόνο για τον προβλεπόμενο σκοπό και την προβλεπόμενη χρήση σύμφωνα με αυτές τις οδηγίες.

Αυτό το εγχειρίδιο παρέχει πληροφορίες που είναι απαραίτητες για τη σωστή εγκατάσταση και χρήση του προϊόντος. Τυχόν μη ενδεδειγμένη εγκατάσταση, χρήση ή/και συντήρηση θα έχει ως συνέπεια την ανεπαρκή απόδοση και ενδεχομένως την πρόκληση βλάβης.

Ο κατασκευαστής δεν αποδέχεται καμία ευθύνη για τυχόν τραυματισμούς ή ζημιές στο προϊόν, που οφείλονται σε:

- Λανθασμένη συναρμολόγηση ή σύνδεση, συμπεριλ. της υπερβολικά υψηλής τάσης
- Λανθασμένη συντήρηση ή χρήση μη αυθεντικών ανταλλακτικών εξαρτημάτων, που δεν προέρχονται από τον κατασκευαστή
- Μετατροπές στο προϊόν χωρίς τη ρητή άδεια του κατασκευαστή
- Χρήση για σκοπούς διαφορετικούς από αυτούς που περιγράφονται σε αυτό το εγχειρίδιο

Η Kamra διατηρεί το δικαίωμα αλλαγής της εμφάνισης και των προδιαγραφών του προϊόντος.

Τεχνική περιγραφή

Η εστία και ο φούρνος αερίου μπορούν να χρησιμοποιηθούν για μαγείρεμα και ψήσιμο.

Μόνο CU351MK: Η εστία και ο φούρνος αερίου μπορούν επιπρόσθετα να χρησιμοποιηθούν επίσης για ψήσιμο στο γκριλ.

Η εστία και ο φούρνος αερίου στερεώνονται με στηρίγματα τοποθέτησης και έναν πείρο, ο οποίος διασφαλίζει ότι η συσκευή παραμένει στη θέση της κατά τον κυματισμό. Η συσκευή είναι εξοπλισμένη με ένα στήριγμα μαγειρικών σκευών, το οποίο διασφαλίζει τη σταθερή στήριξη των μαγειρικών σκευών επάνω στις εστίες και δεν επιτρέπει την ολίσθησή τους κατά τον κυματισμό.

Η εστία και ο φούρνος αερίου πρέπει να συνδέονται σε φιάλη αερίου.

CU354MK

Αρ. στο
σχ. **2**, Εξάρτημα
σελίδα 4

1	Στήριγμα μαγειρικών σκευών
2	Κουμπί θερμοκρασίας φούρνου
3	Σχάρα φούρνου
4	Ταψί ψησίματος
5	Πόρτα φούρνου
6	Κουμπί θερμοκρασίας καυστήρα δεξιάς εστίας
7	Κουμπί θερμοκρασίας καυστήρα αριστερής εστίας

CU351MK

Αρ. στο
σχ. **3**, Εξάρτημα
σελίδα 5

1	Στήριγμα μαγειρικών σκευών
2	Κουμπί θερμοκρασίας φούρνου
3	Κουμπί θερμοκρασίας γκριλ
4	Γκριλ
5	Ταψί ψησίματος
6	Σχάρα φούρνου
7	Πόρτα φούρνου
8	Κουμπί θερμοκρασίας καυστήρα δεξιάς εστίας
9	Κουμπί θερμοκρασίας καυστήρα αριστερής εστίας

Κουμπιά θερμοκρασίας

Η θερμοκρασία του φούρνου και το μέγεθος φλόγας των καυστήρων μπορεί να ρυθμιστεί (σχ. **4**, σελίδα 6).

Περιοχές θερμοκρασίας φούρνου

Θέση	1	2	3
Θερμοκρασία	130 °C	160 °C	180 °C

Θέση	4	5	6
Θερμοκρασία	200 °C	220 °C	240 °C

Εγκατάσταση



ΠΡΟΕΙΔΟΠΟΙΗΣΗ! Κίνδυνος έκρηξης

- Πριν από την εγκατάσταση της εστίας και του φούρνου αερίου, βεβαιωθείτε ότι η ποιότητα και η πίεση του αερίου καθώς και οι ρυθμιστές παροχής αερίου είναι συμβατά με την εστία και τον φούρνο αερίου.
Τηρήστε την προδιαγραφή ρύθμισης αερίου για την εστία και τον φούρνο αερίου που αναγράφεται στην πινακίδα στοιχείων και τις προδιαγραφές στο κεφάλαιο «Τεχνικά χαρακτηριστικά» στη σελίδα 252.
- Η εστία και ο φούρνος αερίου δεν πρέπει να συνδέονται σε διατάξεις συλλογής και απαγωγής καυσαερίων. Εγκαταστήστε την εστία και τον φούρνο αερίου σύμφωνα με τους ισχύοντες κανονισμούς εγκατάστασης.

Επιλογή ενός σημείου τοποθέτησης

Κατά την επιλογή ενός σημείου για την τοποθέτηση της εστίας και του φούρνου αερίου, τηρήστε τις παρακάτω οδηγίες:

- Τοποθετήστε την εστία και τον φούρνο αερίου σε εξωτερικό χώρο ή σε κλειστό χώρο, ο οποίος πληροί τις προϋποθέσεις που εικονίζονται στο σχ. **5**, σελίδα 7.
- Η θέση τοποθέτησης πρέπει να έχει καλό αερισμό.

- Μην τοποθετείτε την εστία και τον φούρνο αερίου σε εσοχές του δαπέδου, για να αποτρέψετε τυχόν συσσώρευση αερίων σε αυτό το σημείο.
- Διατηρήστε την εστία και τον φούρνο αερίου προστατευμένα από τον άνεμο και τα απευθείας ρεύματα αέρα.
- Το δάπεδο πρέπει να είναι σταθερό, επίπεδο και ανθεκτικό.
- Το περίβλημα και ο θάλαμος γκριλ μπορεί να φτάσουν σε πολύ υψηλές θερμοκρασίες κατά τη λειτουργία. Η εστία και ο φούρνος αερίου πρέπει να είναι τοποθετημένα επάνω σε μια βάση, η οποία αντέχει σε θερμοκρασία τουλάχιστον 80 °C.
- Ο εύκαμπτος σωλήνας πρέπει να είναι προστατευμένος από τυχόν σύνθλιψη λόγω κινούμενων τμημάτων, όπως π.χ. συρτάρια.
- Ο εύκαμπτος σωλήνας δεν επιτρέπεται να είναι μακρύτερος από 1,5 m.
- Ο εύκαμπτος σωλήνας πρέπει να αντικαθίσταται πριν από την ημερομηνία λήξης του.

1. Συνδέστε τον άκαμπτο ή εύκαμπτο σωλήνα της φιάλης αερίου στην εστία και στον φούρνο αερίου (σχ. **7** έως σχ. **8**, σελίδα 9).
Ο εύκαμπτος σωλήνας πρέπει να σφίγγεται με τη χρήση ενός κατάλληλου κλειδιού, όπως ένα κλειδί ρυθμιζόμενου ανοίγματος, ώστε να επιτυγχάνεται η στεγανή στεγανοποίηση για το αέριο.
2. Ελέγξτε τον εύκαμπτο ή άκαμπτο σωλήνα αερίου για διαρροή, χρησιμοποιώντας ένα αφρίζον μέσο, όπως π.χ. σαπούνι.



ΠΡΟΕΙΔΟΠΟΙΗΣΗ! Κίνδυνος έκρηξης

Μη χρησιμοποιείτε φλόγα ή διαβρωτικά υγρά για τον έλεγχο της τροφοδοσίας αερίου για διαρροές.

Στερέωση της εστίας και του φούρνου αερίου

1. Διασφαλίστε την επαρκή απόσταση από τα τοιχώματα και τα υπόλοιπα ντουλάπια (βλέπε σχ. **9**, σελίδα 10).
2. Στερεώστε την εστία και τον φούρνο αερίου σύμφωνα με την απεικόνιση στο σχ. **10** έως σχ. **11**, σελίδα 11.

Σύνδεση στη φιάλη αερίου

Η εστία και ο φούρνος αερίου λειτουργούν με τις κοινές φιάλες αερίου του εμπορίου που διατίθενται στη χώρα, στην οποία χρησιμοποιείται η συσκευή (σχ. **6**, σελίδα 8).

Η φιάλη αερίου πρέπει να πληροί τις εξής προϋποθέσεις:

- Η φιάλη αερίου πρέπει να τοποθετείται πάντοτε στον θάλαμο που έχει προβλεφθεί για αυτόν τον σκοπό.
- Η φιάλη αερίου πρέπει πάντοτε να τοποθετείται όρθια.
- Η φιάλη αερίου πρέπει να διαθέτει ρυθμιστή πίεσης, ο οποίος είναι εύκολα προσβάσιμος και δεν είναι καλυμμένος.

Η τροφοδοσία αερίου που είναι συνδεδεμένη στη συσκευή πρέπει να αποτελείται από έναν άκαμπτο μεταλλικό σωλήνα με σφραγισμένες συνδέσεις. Εάν χρησιμοποιηθεί ένας εύκαμπτος σωλήνας, πρέπει να πληρούνται οι εξής προϋποθέσεις:

- Ο εύκαμπτος σωλήνας πρέπει να είναι εύκολα προσβάσιμος για λόγους ελέγχου.
- Ο εύκαμπτος σωλήνας πρέπει να είναι προστατευμένος από τυχόν επαφή με άλλα εξαρτήματα που φτάνουν σε υψηλές θερμοκρασίες.
- Ο εύκαμπτος σωλήνας πρέπει να είναι προστατευμένος από τυχόν ζημιές.

Λειτουργία



ΠΡΟΕΙΔΟΠΟΙΗΣΗ! Κίνδυνος έκρηξης

- Ανάψτε τους καυστήρες, αμέσως μόλις ενεργοποιηθεί η τροφοδοσία αερίου. Διαφορετικά, ενδέχεται να συσσωρευτεί αέριο στην περιοχή του καυστήρα και να προκληθεί έκρηξη.
- Η συνολική διαδικασία ανάφλεξης πρέπει να είναι ορατή από την επάνω πλευρά και δεν επιτρέπεται να καλύπτεται από μαγειρικά σκεύη που είναι τοποθετημένα επάνω στην εστία.



ΠΡΟΣΟΧΗ! Κίνδυνος πρόκλησης ζημιάς

Μόνο CU351MK: Μη χρησιμοποιείτε το γκριλ για περισσότερο από 25 λεπτά.



ΥΠΟΔΕΙΞΗ

- Κατά τη λειτουργία της εστίας και του φούρνου αερίου, ακούγεται ένας ελαφρύς θόρυβος, ο οποίος προκαλείται από τη διαφυγή του αερίου.
- Κατά την πρώτη χρήση της εστίας και του φούρνου αερίου, ενδέχεται να προκληθεί καπνός. Αυτό προκαλείται λόγω της καύσης των επικαθίσεων λαδιού μηχανής και σταματάει μετά από περίπου 10 λεπτά.
- **Μόνο CU351MK:** Το γκριλ δεν μπορεί να χρησιμοποιηθεί ως φούρνος.
- Όταν χρησιμοποιείται προπάνιο (G31), η φλόγα έχει μπλε χρώμα χωρίς κίτρινες κορυφές.
- Όταν χρησιμοποιείται βουτάνιο (G30), η φλόγα έχει μετά από την ανάφλεξη μπλε χρώμα με κίτρινες κορυφές. Οι κίτρινες κορυφές γίνονται πιο έντονες, όταν ο καυστήρας θερμαίνεται.

Ανάφλεξη των καυστήρων

- Πραγματοποιήστε ανάφλεξη της εστίας σύμφωνα με την απεικόνιση στο σχ. **12** (1) σελίδα 12 και στο σχ. **13**, σελίδα 13.
- **Μόνο CU351MK:** Πραγματοποιήστε ανάφλεξη του γκριλ σύμφωνα με την απεικόνιση στο σχ. **12** (2) σελίδα 12 και στο σχ. **14**, σελίδα 14.
- Πραγματοποιήστε ανάφλεξη του φούρνου σύμφωνα με την απεικόνιση στο σχ. **12** (3) σελίδα 12 και στο σχ. **15**, σελίδα 15.

Ρύθμιση των καυστήρων



ΠΡΟΣΟΧΗ! Κίνδυνος πρόκλησης ζημιάς

Βεβαιωθείτε ότι το ταψί ψησίματος, η σχάρα του φούρνου και τα μαγειρικά σκεύη δεν έρχονται σε επαφή με τις φλόγες στο εσωτερικό του φούρνου.



ΥΠΟΔΕΙΞΗ

- Μετά από την ανάφλεξη του φούρνου για πρώτη φορά, αφήστε τον φούρνο στην υψηλότερη θερμοκρασία για τουλάχιστον 30 λεπτά, πριν προχωρήσετε στη ρύθμισή του.
 - Μετά από την ανάφλεξη της εστίας για πρώτη φορά, αφήστε την αντίστοιχη φλόγα εστίας στο υψηλότερο μέγεθος φλόγας για 15 – 20 λεπτά, πριν προχωρήσετε στη ρύθμισή της.
- Ρυθμίστε το αντίστοιχο χειριστήριο θερμοκρασίας στην επιθυμητή θερμοκρασία ή στο επιθυμητό μέγεθος φλόγας (βλέπε κεφάλαιο «Κουμπιά θερμοκρασίας» στη σελίδα 244 και κεφάλαιο «Περιοχές θερμοκρασίας φούρνου» στη σελίδα 244).
- ✓ Κατά την ανάφλεξη του καυστήρα του φούρνου, η φλόγα παραμένει στη ρύθμιση της υψηλότερης δυνατής φλόγας. Όταν ο φούρνος φτάσει στη ρυθμισμένη θερμοκρασία, η φλόγα επιστρέφει αυτόματα σε μικρότερο μέγεθος φλόγας.

Χρήση της εστίας



ΠΡΟΕΙΔΟΠΟΙΗΣΗ! Κίνδυνος πυρκαγιάς

Η φλόγα δεν επιτρέπεται να προεξέχει πέρα από το άκρο των μαγειρικών σκευών. Τοποθετήστε τα μαγειρικά σκεύη κεντραρισμένα επάνω από τον καυστήρα και διασφαλίστε τη σωστή στήριξή τους, χρησιμοποιώντας το στήριγμα μαγειρικών σκευών.

- Βεβαιωθείτε ότι χρησιμοποιούνται κατάλληλα μαγειρικά σκεύη. Τηρήστε την αντιστοιχία των διαμέτρων καυστήρων εστίας και των μαγειρικών σκευών:

Διάμετρος καυστήρα εστίας	Διάμετρος μαγειρικού σκεύους
∅ 62 mm	16 – 22 cm
∅ 77 mm	16 – 22 cm

- Ασφαλίστε τα μαγειρικά σκεύη στο στήριγμα μαγειρικών σκευών, χρησιμοποιώντας τα κουμπιά στο στήριγμα των μαγειρικών σκευών (βλέπε σχ. 16, σελίδα 16).

Χρήση του γκριλ (μόνο CU351MK)



ΠΡΟΦΥΛΑΞΗ! Κίνδυνος εγκαύματος

- Τραβήξτε έξω το κάλυμμα θερμοπροστασίας, για να προστατέψετε τα κουμπιά από τη θερμότητα του γκριλ.
- Το κάλυμμα θερμοπροστασίας φτάνει σε πολύ υψηλές θερμοκρασίες κατά τη χρήση και μετά από τη χρήση του γκριλ. Φορέστε προστατευτικά γάντια, όταν ακουμπάτε το κάλυμμα θερμοπροστασίας.

- Χρησιμοποιήστε το κάλυμμα θερμοπροστασίας σύμφωνα με την απεικόνιση στο σχ. 17, σελίδα 16.

Απενεργοποίηση της εστίας και του φούρνου αερίου

- Απενεργοποιήστε την εστία και τον φούρνο αερίου σύμφωνα με την απεικόνιση στο σχ. 18, σελίδα 17.

Εξοικονόμηση ενέργειας

- Απενεργοποιήστε την εστία και τον φούρνο αερίου μετά από τη χρήση (βλέπε κεφάλαιο «Απενεργοποίηση της εστίας και του φούρνου αερίου» στη σελίδα 247).
- Κλείστε την πόρτα του φούρνου κατά τη χρήση του φούρνου.

Καθαρισμός και συντήρηση



ΠΡΟΕΙΔΟΠΟΙΗΣΗ! Κίνδυνος έκρηξης

Μη χρησιμοποιείτε φλόγα ή διαβρωτικά υγρά για τον έλεγχο της τροφодοσίας αερίου για διαρροές.



ΠΡΟΦΥΛΑΞΗ! Κίνδυνος εγκαύματος

Η εστία και ο φούρνος αερίου φτάνουν σε πολύ υψηλές θερμοκρασίες κατά τη χρήση και μετά από τη χρήση τους. Απενεργοποιήστε την εστία και τον φούρνο αερίου. Αφήστε την εστία και τον φούρνο αερίου να κρυώσουν, πριν από τον καθαρισμό, τη συσκευασία ή τη μεταφορά τους.



ΠΡΟΣΟΧΗ! Κίνδυνος πρόκλησης ζημιάς

- Μη χρησιμοποιείτε τριβικές, διαβρωτικές, χλωριούχες και σκληρές καθαριστικές ουσίες ή βούρτσες για τον καθαρισμό της εστίας και του φούρνου αερίου.
- Μη χρησιμοποιείτε ατμοκαθαριστές.
- Μη χρησιμοποιείτε πεπιεσμένο αέρα για τον καθαρισμό του κυκλώματος αερίου.
- Αφαιρέστε τα υπολείμματα ξιδιών, αλατιών, κιτρικού οξέως ή άλλων όξινων και αλκαλικών ουσιών από την εστία και τον φούρνο αερίου.

- Καθαρίστε την εστία και τον φούρνο αερίου με ένα υγρό πανί, χρησιμοποιώντας ουδέτερες καθαριστικές ουσίες (σχ. **19**, σελίδα 17).
- Καθαρίστε τον καυστήρα του φούρνου με νερό σύμφωνα με την απεικόνιση στο σχ. **20**, σελίδα 18.
- Για τον καθαρισμό ή την αντικατάσταση των μπεκ αερίου, επικοινωνήστε με ένα εξουσιοδοτημένο κέντρο σέρβις.

Συντήρηση των καυστήρων



ΠΡΟΕΙΔΟΠΟΙΗΣΗ! Κίνδυνος πυρκαγιάς

Στο εσωτερικό των καυστήρων ενδέχεται να φτιαχτούν ιστοί από αράχνες και φωλιές εντόμων. Οι ιστοί και οι φωλιές αυτές ενδέχεται να εμποδίζουν τη ροή του αερίου και να προκαλέσουν φωτιά. Απομακρύνετε τυχόν έντομα, αράχνες, φωλιές ή ιστούς από το εσωτερικό των καυστήρων.

1. Ελέγξτε τους καυστήρες δύο φορές το μήνα για ιστούς και φωλιές.
2. Εάν απαιτείται, απομακρύνετε τυχόν έντομα, αράχνες, φωλιές ή ιστούς από το εσωτερικό των καυστήρων.

Αντικατάσταση της φιάλης αερίου



ΠΡΟΕΙΔΟΠΟΙΗΣΗ! Κίνδυνος για την υγεία

- Αντικαταστήστε τη φιάλη αερίου σε μια περιοχή με καλό αερισμό.
- Βεβαιωθείτε ότι δεν υπάρχουν γυμνές φλόγες στην περιοχή.
- Αντικαταστήστε τη φιάλη αερίου μόνο όταν η εστία και ο φούρνος αερίου είναι απενεργοποιημένα.

1. Κλείστε τη βαλβίδα αερίου στη φιάλη αερίου.
2. Ξεβιδώστε τον ρυθμιστή από τη φιάλη αερίου.
3. Εάν χρησιμοποιείται εύκαμπτος σωλήνας αερίου, βεβαιωθείτε ότι ο εύκαμπτος σωλήνας δεν είναι ελαττωματικός.
4. Εάν απαιτείται, αντικαταστήστε τον εύκαμπτο σωλήνα (βλέπε κεφάλαιο «Αντικατάσταση του εύκαμπτου σωλήνα» στη σελίδα 248).
5. Βιδώστε τον ρυθμιστή στην καινούργια φιάλη αερίου με το χέρι.

Αντικατάσταση του εύκαμπτου σωλήνα



ΠΡΟΕΙΔΟΠΟΙΗΣΗ! Κίνδυνος για την υγεία

- Αντικαταστήστε τον εύκαμπτο σωλήνα σε μια περιοχή με καλό αερισμό.
- Βεβαιωθείτε ότι δεν υπάρχουν γυμνές φλόγες στην περιοχή.
- Αντικαταστήστε τον εύκαμπτο σωλήνα μόνο όταν η εστία και ο φούρνος αερίου είναι απενεργοποιημένα.

1. Κλείστε τη βαλβίδα αερίου στη φιάλη αερίου.
2. Ξεβιδώστε τον ρυθμιστή από τη φιάλη αερίου.
3. Αντικαταστήστε τον εύκαμπτο σωλήνα αερίου.

4. Βιδώστε τον ρυθμιστή στη φιάλη αερίου με το χέρι.
5. Ελέγξτε τον εύκαμπτο σωλήνα αερίου για διαρροή, χρησιμοποιώντας ένα αφρίζον μέσο, όπως π.χ. σαπούνι.

Αποθήκευση



ΠΡΟΕΙΔΟΠΟΙΗΣΗ! Κίνδυνος εγκαύματος

Η εστία και ο φούρνος αερίου φτάνουν σε πολύ υψηλές θερμοκρασίες κατά τη χρήση και μετά από τη χρήση τους. Απενεργοποιήστε την εστία και τον φούρνο αερίου. Αφήστε την εστία και τον φούρνο αερίου να κρυώσουν, πριν από τη συσκευασία ή τη μεταφορά τους.

1. Κλείστε τη βαλβίδα αερίου στη φιάλη αερίου.
2. Καθαρίστε την εστία και τον φούρνο αερίου (βλέπε κεφάλαιο «Καθαρισμός και συντήρηση» στη σελίδα 247).

Αντιμετώπιση βλαβών

Βλάβη	Πιθανή αιτία	Αντιμετώπιση
Η συσκευή δεν ανάβει.	Χρησιμοποιείται λανθασμένο αέριο.	<ul style="list-style-type: none">▶ Βεβαιωθείτε ότι χρησιμοποιείται επαρκές αέριο. Τηρήστε την προδιαγραφή ρύθμισης αερίου για την εστία και τον φούρνο αερίου που αναγράφεται στην πινακίδα στοιχείων και τις προδιαγραφές στο κεφάλαιο «Τεχνικά χαρακτηριστικά» στη σελίδα 252.▶ Εάν απαιτείται, αντικαταστήστε τη φιάλη αερίου (βλέπε κεφάλαιο «Αντικατάσταση της φιάλης αερίου» στη σελίδα 248).
	Η φιάλη αερίου είναι άδεια.	<ul style="list-style-type: none">▶ Αντικαταστήστε τη φιάλη αερίου (βλέπε κεφάλαιο «Αντικατάσταση της φιάλης αερίου» στη σελίδα 248).
	Ο εύκαμπτος σωλήνας είναι ελαττωματικός.	<ul style="list-style-type: none">▶ Αντικαταστήστε τον εύκαμπτο σωλήνα (βλέπε κεφάλαιο «Αντικατάσταση του εύκαμπτου σωλήνα» στη σελίδα 248).
	Υπάρχει δυσλειτουργία ή κακές συνδέσεις.	<ul style="list-style-type: none">▶ Επανασυνδέστε τον άκαμπτο ή εύκαμπτο σωλήνα (κεφάλαιο «Σύνδεση στη φιάλη αερίου» στη σελίδα 245).▶ Εάν απαιτείται, κλείστε την τροφοδοσία αερίου και επικοινωνήστε με έναν εξουσιοδοτημένο τεχνικό του τμήματος εξυπηρέτησης πελατών.
	Το θερμοστοιχείο είναι ελαττωματικό.	<ul style="list-style-type: none">▶ Κλείστε την τροφοδοσία αερίου και επικοινωνήστε με έναν εξουσιοδοτημένο τεχνικό του τμήματος εξυπηρέτησης πελατών.
	Η εστία και ο φούρνος αερίου είναι ελαττωματικά.	<ul style="list-style-type: none">▶ Ρυθμίστε το αντίστοιχο κουμπί καυστήρα εστίας στη χαμηλότερη ρύθμιση και ανάψτε τον καυστήρα της εστίας (βλέπε κεφάλαιο «Ανάφλεξη των καυστήρων» στη σελίδα 246).
Οι καυστήρες της εστίας δεν ανάβουν.	Δεν υπάρχει σπινθήρας.	<ul style="list-style-type: none">▶ Ρυθμίστε το αντίστοιχο κουμπί καυστήρα εστίας στη χαμηλότερη ρύθμιση και ανάψτε τον καυστήρα της εστίας (βλέπε κεφάλαιο «Ανάφλεξη των καυστήρων» στη σελίδα 246).

Βλάβη	Πιθανή αιτία	Αντιμετώπιση
Ο φούρνος δεν ανάβει.	Δεν υπάρχει σπινθήρας.	<ul style="list-style-type: none"> ➤ Απενεργοποιήστε τον φούρνο για 1 λεπτό. ➤ Ενεργοποιήστε τον φούρνο (βλέπε κεφάλαιο «Ρύθμιση των καυστήρων» στη σελίδα 246).
Μόνο CU351MK: Το γκριλ δεν ανάβει.	Δεν υπάρχει σπινθήρας.	<ul style="list-style-type: none"> ➤ Απενεργοποιήστε το γκριλ για 1 λεπτό. ➤ Ενεργοποιήστε το γκριλ (βλέπε κεφάλαιο «Χρήση της εστίας» στη σελίδα 247).

Εγγύηση

Ισχύει η νόμιμη διάρκεια εγγύησης. Εάν το προϊόν παρουσιάζει ελαττώματα, παρακαλούμε να απευθυνθείτε στο κατάστημα αγοράς ή στην αντιπροσωπεία του κατασκευαστή στη χώρα σας (βλέπε dometic.com/dealer).

Για τυχόν επισκευή ή αξίωση κάλυψης από την εγγύηση, παρακαλούμε να αποστείλετε επίσης τα παρακάτω έγγραφα μαζί με το προϊόν:

- Ένα αντίγραφο της απόδειξης αγοράς με την ημερομηνία αγοράς
- Τον λόγο για την αξίωση κάλυψης από την εγγύηση ή μια περιγραφή του σφάλματος


Λάβετε υπόψη ότι τυχόν επισκευή από εσάς τον ίδιο ή μη επαγγελματική επισκευή ενδέχεται να έχει συνέπειες ασφαλείας καθώς και να αποτελέσει αιτία ακύρωσης της εγγύησης.

Απόρριψη



- Εάν είναι εφικτό, απορρίψτε τα υλικά συσκευασίας στους αντίστοιχους κάδους ανακύκλωσης.
- Συμβουλευθείτε ένα τοπικό κέντρο ανακύκλωσης ή έναν εξειδικευμένο αντιπρόσωπο για λεπτομέρειες σχετικά με τον τρόπο απόρριψης του προϊόντος σύμφωνα με τους ισχύοντες κανονισμούς διάθεσης απορριμμάτων.

Τεχνικά χαρακτηριστικά

	CU351MK	CU354MK
Συνολική ονομαστική ισχύς	6,4 kW, 466 g/h	5,1 kW, 371 g/h
Ονομαστική ισχύς φούρνου	1,1 kW, 89 g/h	
Ονομαστική ισχύς γκριλ	1,3 kW, 95 g/h	–
Ονομαστική ισχύς εστίας		
Αριστερός καυστήρας	2,2 kW, 160 g/h	
Δεξιός καυστήρας	1,8 kW, 131 g/h	
Όγκος αέρα καύσης	12,8 m ³ /h	10,2 m ³ /h
Πίεση σύνδεσης	σχ. 6, σελίδα 8	
Διαστάσεις (Υ x Π x Β)	508 x 450 x max 358 mm	398 x 449 x max 357 mm
Βάρος	18,50 kg	15,50 kg
Διάσταση καυστήρα εστίας		
Αριστερός καυστήρας	∅ 62 mm	
Δεξιός καυστήρας	∅ 70 mm	
Πιστοποιήσεις		

Atidžiai perskaitykite šį gaminio žinyną ir laikykitės visų jame pateiktų nurodymų, rekomendacijų ir įspėjimų, kad įrengtumėte gaminį ir visada juo naudotumėtės bei prižiūrėtumėte tinkamai. Ši instrukcija PRIVALO būti prie gaminio.

Tuo, jog naudojate gaminį, patvirtinate, kad atidžiai perskaitėte visus nurodymus, rekomendacijas ir įspėjimus ir suprantate čia pateiktas nuostatas ir sąlygas bei sutinkate jų laikytis. Sutinkate naudoti šį gaminį tik pagal numatytą paskirtį, numatytoms reikmėms ir laikydamiesi šiame gaminio žinyne pateiktų nurodymų, rekomendacijų ir įspėjimų bei visų galiojančių įstatymų ir kitų teisės aktų. Neperskaicius ir nesilaikant čia pateiktų nurodymų ir įspėjimų galite susižaloti patys ir sužaloti kitus, sugadinti gaminį arba kitą greta esantį turtą. Šis gaminio žinynas, įskaitant nurodymus, rekomendacijas ir įspėjimus, bei susiję dokumentai, gali būti keičiami ir atnaujinami. Naujausia informacija apie gaminį pateikiama adresu documents.dometic.com.



PRANEŠIMAS!

Nurodo situaciją, kurios neišvengus, greisia materialinė žala.



PASTABA

Papildoma informacija apie gaminio eksploatavimą.

Saugos instrukcijos

Pirminės pastabos

- Prieš montuodami įsitinkinkite, kad vietinio paskirstymo sąlygos (dujų pobūdis ir dujų slėgis) ir prietaiso nustatymai yra suderinami.
- Šio prietaiso reguliavimo sąlygos nurodytos etiketėje (arba duomenų plokštelėje).
- Šis prietaisas nėra prijungtas prie degimo produktų šalinimo sistemos. Jis turi būti sumontuotas ir prijungtas vadovaujantis galiojančiomis montavimo taisyklėmis. Ypač reikia atkreipti dėmesį į atitinkamus reikalavimus dėl ventiliacijos.

Bendroji sauga



ĮSPĖJIMAS! Nesilaikant šių įspėjimų gali grėsti mirtis arba rimtas susižalojimas.

Sprogimo pavojus

- Šį prietaisą gali taisyti tik kvalifikuotas personalas. Netinkamai atliktas remontas gali kelti rimtą pavojų.
- Šis prietaisas turi būti sumontuotas pagal visas sąlygas, kurioje yra naudojamas, galiojančias nacionalines taisykles.
- Šį prietaisą galima naudoti tik gerai vėdinamoje vietoje.
- Perskaitykite instrukcijas prieš montuodami ar naudodami šį prietaisą.
- Nemodifikuokite prietaiso.
- Nepašalinkite ir nekeiskite jokių šio prietaiso komponentų.
- Dujų žarnelę reikia pakeisti, jei to reikalaujama pagal nacionalinius teisės aktus.
- Nesusukite, neištempkite, neprispauskite ar kitaip neapkraukite dujų tiekimo žarnelės.

Gaisro pavojus

- Nepalikite šio prietaiso be priežiūros, kai jis karštas arba naudojamas.

Turinys

Simbolių paaiškinimas	253
Saugos instrukcijos	253
Pristatoma komplektacija	255
Tikslinės grupės	256
Paskirtis	256
Techninis aprašymas	256
Montavimas	257
Naudojimas	258
Energijos taupymas	259
Valymas ir techninė priežiūra	259
Laikymas	260
Gedimų nustatymas ir šalinimas	260
Garantija	261
Utilizavimas	261
Techniniai duomenys	262

Simbolių paaiškinimas



ĮSPĖJIMAS!

Saugos nurodymas: nurodo pavojingą situaciją, kurios neišvengus gali grėsti mirtinas arba sunkus sužalojimas.



PERSPĖJIMAS!

Saugos nurodymas: nurodo pavojingą situaciją, kurios neišvengus gali grėsti lengvas arba vidutinio sunkumo sužalojimas.

- Vaikus reikia prižiūrėti, kad jie nežaistų su prietaisu.
- Paruoškite tinkamą gesintuvą. Užtikrinkite, kad gesintuvą reguliariai tikrintų kvalifikuoti darbuotojai.

Nudegimo pavojus

- Laikykite rankas, veidą ir plaukus atokiau nuo degiklių.
- Nedėvėkite neprigludusių drabužių ir neleiskite ilgiems plaukams laisvai kyboti, kai uždegate ar naudojate šį prietaisą.
- Pasirūpinkite, kad vaikai ir augintiniai laikytųsi atokiai.
- Atidžiai stebėkite visus veiksmus aplink šį prietaisą, kad išvengtumėte nudegimų ar kitų sužalojimų.
- Prietaisui veikiant jo nejudinkite.

Pavojus sveikatai

- Šį prietaisą gali naudoti vaikai nuo 8 metų amžiaus ir fizinių, sensorinių arba psichikos sutrikimų turintys arba stokojantys patirties ir žinių asmenys, jeigu jie yra prižiūrimi arba instruktuojami dėl šio prietaiso saugaus naudojimo ir suvokia jo keliamus pavojus.
- Vaikus reikia prižiūrėti, kad jie nežaistų su prietaisu.



PERSPĖJIMAS! Nesilaikant šių įspėjimų gali grėsti nedidelis arba vidutinis susižalojimas.

Susižalojimo pavojus

- Jei prietaisas turi stiklinį dangtelį ir dangtelis sudūžta:
 - Nedelsdami išjunkite visus degiklius bei bet kokį elektrinį kaitinimo elementą ir izoliuokite prietaisą nuo maitinimo šaltinio.
 - Nelieskite prietaiso paviršiaus.
 - Nenaudokite prietaiso.



PRANEŠIMAS! Žalos pavojus

- Jei prietaisas turi stiklinį dangtelį:
 - Uždarykite stiklinį dangtelį prieš pradėdami kelionę.
 - Prieš uždarydami stiklinį dangtelį, išjunkite visus degiklius.

Saugos atsargumo priemonės tvarkant skystas dujas



ĮSPĖJIMAS! Nesilaikant šių įspėjimų gali grėsti mirtis arba rimtas susižalojimas.

Sprogimo pavojus

- Po naudojimo visada atjunkite suskystintų dujų balioną.
- Suskystintų dujų balionus laikykite atokiau nuo šildymo ar maisto ruošimo prietaisų ir kitų šviesos arba šilumos šaltinių gerai vėdinamoje ir vaikams nepasiekiamoje vietoje.
- **Niekada** nelaikykite suskystintų dujų balionų nevedinamoje patalpose arba žemiau žemės paviršiaus (piltuvo formos skylės žemėje).
- **Niekada** nelaikykite suskystintų dujų balionų pastatuose, tokiuose kaip garažai.
- Bet kokia laikymo patalpa turi atitikti nacionalines taisykles.
- Nelaikykite suskystintų dujų balionų pavertę ant šono.
- Suskystintų dujų balionus laikykite atokiau nuo tiesioginių saulės spindulių. Temperatūra neturi viršyti 50 °C.

Saugos prietaiso naudojimas



PAVOJUS! Nesilaikant šių instrukcijų gresia mirtis arba rimtas susižalojimas.

Apsinuodijimo anglies monoksidu pavojus

- Deginant skystas dujas susidaro anglies monoksidas, kuris kaupiasi uždaroje vietoje. Naudokite šį prietaisą tik esant pakankamai ventiliacijai.

Uždusimo pavojus

- Naudojant šį prietaisą nevedinamoje patalpoje, sumažės deguonies kiekis toje patalpoje.
- Nenaudokite prietaiso kaip patalpų šildytuvo.
- Naudojant dujinį maisto ruošimo prietaisą, patalpoje, kurioje jis įrengtas, išskiriama šiluma, drėgmė ir degimo produktai.
 - Įsitikinkite, kad virtuvė yra gerai vėdinama, ypač naudojant prietaisą.
 - Atidarykite įprastas ventiliacijos angas arba įrenkite mechaninės ventiliacijos prietaisą (pvz., mechaninį gartraukį).

- Ilgas intensyvus prietaiso naudojimas gali pareikalauti papildomos ventiliacijos, pvz., atidaryti langą, arba veiksmingesnės ventiliacijos, pavyzdžiui, padidinti mechaninės ventiliacijos lygį, jei jis yra.



ĮSPĖJIMAS! Nesilaikant šių įspėjimų gali grėsti mirtis arba rimtas susižalojimas.

Sprogimo pavojus

- Nenaudokite šio prietaiso, jei jis prateka, yra pažeistas arba netinkamai veikia.
- Niekada nenaudokite prietaiso šiais atvejais:
 - Degalinėse
 - Keltuose
 - Transportuodami priekabinius namelius ar mobiliuosius namelius transporto priemone arba vilkiku
- Kilus gaisrui, išjunkite dujų tiekimą.
- Prie šio prietaiso nedėkite cheminių medžiagų, degių medžiagų ar aerosolių.
- Niekada nenaudokite atviros liepsnos norėdami patikrinti, ar nėra dujų nuotėkio.
- Jei užuodžiate dujas:
 - Nebandykite uždegti šio prietaiso.
 - Užgesinkite visas atviras liepsnas.
 - Išjunkite dujų tiekimą.
 - Atjunkite prietaisą nuo dujų tiekimo.
 - Kai naudojate prietaisą patalpose, atidarykite langus ir evakuokite transporto priemonę.
 - paveskite dujų sistemą patikrinti specialistui;
- Dujų balioną tvirtinkite ar atjunkite tik lauke, atokiau nuo atviros liepsnos, degiklio ar kito užsidegimo šaltinio ir tik tada, kai šis prietaisas yra vėsus liesti.
- Prieš naudodami dujų balioną, patikrinkite, ar plomba tarp šio prietaiso ir dujų baliono yra geros būklės.
- Jei plomba pažeista ar nusidėvėjusi, nenaudokite šio prietaiso.
- Po naudojimo dujų balione išjunkite dujų tiekimą.

Gaisro pavojus

- Naudojamą prietaisą būtina laikyti atokiau nuo degių medžiagų.
- Ant šio prietaiso ar priešais jį nedėkite jokių kitų daiktų, išskyrus virtuvės reikmenis.
- Niekada nestatykite šio prietaiso šalia degių medžiagų (popieriaus, sausų lapų, tekstilės).
- Laikykite degius daiktus atokiau nuo degiklio.

- Virtuvės indų rankenas nustatykite taip:
 - Niekada neleiskite virtuvės indų rankenoms išsikišti už prietaiso krašto.
 - Pasukite virtuvės indų rankenas į vidų, tačiau neleiskite joms nusitęsti virš kitų degiklių.
- Pernelyg nekaitinkite riebalų arba aliejaus.
- Naudokite tik sausus puodus laikiklius karšties virtuvės indams tvarkyti.
- Prieš nuimdami virtuvės indą, išjunkite prietaisą.
- Naudokite šį prietaisą tik tada, kai šalia yra suaugęs asmuo.

Nudegimo pavojus

- Laisvai pasiekiamos dalys gali būti labai įkaitę. Maži vaikai turi laikytis atokiai.



PERSPĖJIMAS! Nesilaikant šių įspėjimų gali grėsti nedidelis arba vidutinis susižalojimas.

Nudegimo pavojus

- Tvarkydami karštus komponentus dėvėkite apsaugines pirštines.
- Leiskite prietaisui atvėsti prieš liesdami jį plikomis rankomis.
- Kai degiklis uždegamas rankiniu būdu:
 - Naudokite ilgus degtukus arba tinkamą žiebtuvėlį.
 - Kai degiklis užsidega, greitai patraukite rankas.
- Vartojamas alkoholis, receptiniai ar nereceptiniai vaistai gali pakenkti jūsų gebėjimui tinkamai surinkti ar saugiai naudoti šį prietaisą.



PRANEŠIMAS! Žalos pavojus

- Nenaudokite išorinio laikmačio ar nuotolinio valdymo sistemos.

Pristatoma komplektacija

Nr. pateikti 1 pav., 3 psl.	Komponentas	Kiekis
1	Virtuvės indų atrama	1
2	Kepimo skarda	1
3	Orkaitės lentyna	1
4	Viryklė ir dujinė orkaitė	1
5	Montavimo laikiklis	2

Tikslinės grupės



Dujų įvadą surinkti ir montuoti leidžiama kvalifikuotam asmeniui, turinčiam dujinių prietaisų konstravimo, montavimo ir eksploataavimo praktinių įgūdžių bei žinių ir baigusiam saugos mokymo kursą apie tai, kaip atpažinti darbe kylančius pavojus ir nuo jų apsisaugoti.

Paskirtis

Viryklė ir dujinė orkaitė skirtos maistui virti ir kepti.

Tik CU351MK: viryklė ir dujinė orkaitė taip pat skirtos maistui kepti ant grotelių.

Viryklė ir dujinė orkaitė skirtos naudoti tik valtyse ir jūroje. Norint naudoti uždaroje patalpose, būtina laikytis 5 pav., 7 psl. pateiktų reikalavimų. Esant 3 sienoms, 30 % bendro sienų ploto turi būti atvira ir neapribota.

Viryklė ir dujinė orkaitė **nera** skirtos naudoti įgulos kabinose, transporto priemonėse ar pastatuose.

Šis gaminį galima naudoti tik pagal numatytą paskirtį ir vadovaujantis šiomis instrukcijomis.

Šiame vadove pateikiama informacija, reikalinga tinkamam gamtinio įrengimui ir (arba) naudojimui. Dėl prasto įrengimo ir (arba) netinkamo naudojimo būdo ar techninės priežiūros gaminyje gali netinkamai veikti ir sugesti.

Gamintojas neprisiims atsakomybės už patirtus sužeidimus ar žalą gaminiui, atsiradusią dėl šių priežasčių:

- Neteisingo surinkimo ar prijungimo, įskaitant perteklinę įtampą
- Netinkamos techninės priežiūros arba jeigu buvo naudotos neoriginalios, gamintojo nepateiktos atsarginės dalys
- Gaminio pakeitimai be aiškaus gamintojo leidimo
- Naudojimas kitais tikslais, nei nurodyta šiame vadove

„Kampa“ pasilieka teisę keisti gamtinio išvaizdą ir specifikacijas.

Techninis aprašymas

Viryklė ir dujinė orkaitė gali virti ir kepti.

Tik CU351MK: viryklė ir dujinė orkaitė taip pat gali kepti maistą ant grotelių.

Viryklė ir dujinė orkaitė pritvirtinta montavimo laikikliais ir kaiščiu, kad prietaisas dėl bangų sukkelto judėjimo išliktų vietoje. Prietaise įrengta virtuvės indų atrama, kuri užtikrina, kad virtuvės indai tvirtai laikytųsi ant viryklės ir dėl bangų sukkelto judėjimo neslidinėtų.

Viryklę ir dujinę orkaitę būtina prijungti prie dujų baliono.

CU354MK

Nr. pateikti 2 pav., 4 psl.	Komponentas
1	Virtuvės indų atrama
2	Orkaitės temperatūros reguliavimo rankenėlė
3	Orkaitės lentyna
4	Kepimo skarda
5	Orkaitės durelės
6	Dešiniojo viryklės degiklio temperatūros reguliavimo rankenėlė
7	Kairiojo viryklės degiklio temperatūros reguliavimo rankenėlė

CU351MK

Nr. pateikti 3 pav., 5 psl.	Komponentas
1	Virtuvės indų atrama
2	Orkaitės temperatūros reguliavimo rankenėlė
3	Kepimo grotelių temperatūros reguliavimo rankenėlė
4	Kepimo grotelės

Nr. pateikti 3 pav., 5 psl.	Komponentas
5	Kepimo skarda
6	Orkaitės lentyna
7	Orkaitės durelės
8	Dešiniojo viryklės degiklio temperatūros reguliavimo rankenėlė
9	Kairiojo viryklės degiklio temperatūros reguliavimo rankenėlė

Temperatūros reguliavimo rankenėlės

Orkaitės temperatūrą degiklių liepsnos dydį galima reguliuoti (4 pav., 6 psl.).

Orkaitės temperatūros intervalai

Padėtis	1	2	3
Temperatūra	130 °C	160 °C	180 °C

Padėtis	4	5	6
Temperatūra	200 °C	220 °C	240 °C

Montavimas



ĮSPĖJIMAS! Sprogimo pavojus

- Prieš montuodami viryklę ir dujinę orkaitę, įsitikinkite, kad dujų kokybė, slėgis ir dujų tiekimo regulatoriai yra suderinami su virykle ir dujine orkaite. Atsižvelkite į viryklės ir dujinės orkaitės dujų reguliavimo specifikacijas duomenų plokštelėje ir skyrius „Techniniai duomenys“ 262 psl. nurodytas specifikacijas.
- Viryklę ir dujinę orkaitę nėra prijungtos prie gartraukio. Viryklę ir dujinę orkaitę sumontuokite pagal taikomas montavimo taisykles.

Montavimo vietos pasirinkimas

Pasirinkdami viryklės ir dujinės orkaitės statymo vietą, laikykitės šių nurodymų:

- Viryklę ir dujinę orkaitę statykite lauke arba uždaroje vietoje, kuri atitinka 5 pav., 7 psl. nurodytus reikalavimus.
- Vieta turi būti gerai vėdinama.
- Nestatykite viryklės ir dujinės orkaitės į daubą, kad ten nesusikauptų dujos.
- Laikykite viryklę ir dujinę orkaitę apsaugotas nuo vėjo ir tiesioginio skersvėjo.
- Žemės paviršius turi būti tvirtas, lygus ir stabilus.
- Naudojant korpusas ir kepimo grotelių spinta labai įkaista. Viryklė ir dujinė orkaitė turi stovėti ant pagrindo, kuris gali atlaikyti bent 80 °C šilumą.

Prijungimas prie dujų baliono

Viryklė ir dujinė orkaitė naudojamos su komerciniais dujų balionais, kuriuos galima įsigyti šalyje, kurioje jos naudojamos (6 pav., 8 psl.).

Dujų balionas turi atitikti šias sąlygas:

- Dujų balioną visada būtina įtaisyti į jam skirtą skyrių.
- Dujų balioną visada būtina statyti vertikaliai.
- Dujų balione turi būti lengvai pasiekiamas ir neuždengtas slėgio regulatorius.

Prie prietaiso prijungtas dujų tiekimas turi vykti per standų metalinį vamzdį su sandariomis jungtimis. Jei naudojama lanksti žarnelė, turi būti laikomasi šių sąlygų:

- Žarnelė turi būti lengvai prieinama, kad ją būtų galima patikrinti.
- Žarnelė turi būti apsaugota nuo sąlyčio su kito mis įkaistančiomis dalimis.
- Žarnelė turi būti apsaugota nuo pažeidimų.
- Žarnelė turi būti apsaugota nuo prispaudimo judančiomis dalimis, pvz., stalčiais.
- Žarnelė turi būti ne ilgesnė kaip 1,5 m.
- Žarnelę būtina pakeisti iki jos galiojimo pabaigos datos.

- Prijunkite dujų baliono vamzdį arba žarnelę prie viryklės ir dujinės orkaitės (7 pav. – 8 pav., 9 psl.). Žarnelę reikia priveržti tinkamu veržliarakčiu, pvz., reguliuojamu veržliarakčiu, kad būtų pasiektas geras sandarumas.

- Naudodami putojančią medžiagą, pvz., muilą, patikrinkite dujų žarnelę arba vamzdį, ar nėra nuotėkio.



ĮSPĖJIMAS! Sprogimo pavojus

Tikrindami, ar nėra dujų tiekimo nuotėkio, nenaudokite liepsnos arba išdinančio skysčio.

Viryklės ir dujinės orkaitės montavimas

- Užtikrinkite, kad būtų pakankamas atstumas nuo sienų ir kitų spintelių (žr. **9** pav., 10 psl.).
- Sumontuokite viryklę ir dujinę orkaitę, kaip parodyta **10** pav. – **11** pav., 11 psl..

Naudojimas



ĮSPĖJIMAS! Sprogimo pavojus

- Kai tik bus įjungtas dujų tiekimas, uždekte degiklius. Antraip degiklio srityje gali susikaupti dujų ir gali įvykti sprogiimas.
- Visas degimo procesas turi matytis iš viršaus, jo neturi užstoti ant viryklės padėti virtuvės indai.



PRANEŠIMAS! Žalos pavojus

Tik CU351MK: nenaudokite kepimo grotelių ilgiau kaip 25 minutes.



PASTABA

- Naudojant viryklę ir dujinę orkaitę gali girdėtis nedidelis triukšmas, kurį sukelia išeinančios dujos.
- Pirmą kartą naudojant viryklę ir dujinę orkaitę gali atsirasti dūmų. Tai sukelia degančios mašininės alyvos sankaupos – visa tai baigiasi po maždaug 10 minučių.
- Tik CU351MK:** kepimo grotelių negalima naudoti kaip orkaitės.
- Kai naudojate propaną (G31), liepsna yra mėlyna be geltonų viršūnių.
- Kai naudojate butaną (G30), uždegus liepsna yra mėlyna su geltonomis viršūnėmis. Geltonos viršūnės suintensyvėja, kai degiklis įkaista.

Degiklių uždegimas

- Uždekte viryklę, kaip parodyta **12** pav. (**1**) 12 psl. ir **13** pav., 13 psl..

► **Tik CU351MK:** Uždekte kepimo grotelės, kaip parodyta **12** pav. (**2**) 12 psl. ir **14** pav., 14 psl..

► Uždekte orkaitę, kaip parodyta **12** pav. (**3**) 12 psl. ir **15** pav., 15 psl..

Degiklių reguliavimas



PRANEŠIMAS! Žalos pavojus

Įsitinkite, kad kepimo skarda, orkaitės lentyna ir virtuvės indai neturi sąlyčio su orkaitės viduje esančia liepsna.



PASTABA

- Pirmą kartą uždegę orkaitę, prieš ją reguliuodami, palikite ją veikti esant aukščiausiai temperatūrai mažiausiai 30 minučių.
- Pirmą kartą uždegę viryklę, prieš ją reguliuodami, palikite atitinkamą viryklės liepsną veikti esant didžiausiam liepsnos dydžiui 15 – 20 minučių.

► Nustatykite atitinkamą temperatūros reguliatorių ties pageidaujama temperatūra arba liepsnos dydžiu (žr. skyrius „Temperatūros reguliavimo rankenėlės“ 257 psl. ir skyrius „Orkaitės temperatūros intervalai“ 257 psl.).

✓ Uždegus orkaitės degiklį, liepsna lieka degti aukščiausia liepsna. Kai orkaitė pasiekia nustatytą temperatūrą, liepsna automatiškai sumažėja iki žemesnės.

Naudojant viryklę



ĮSPĖJIMAS! Gaisro pavojus

Liepsna neturi nusitęsti už virtuvės indų krašto. Centruokite virtuvės indus virš degiklio ir naudokite saugų stovą, kai naudojate virtuvės indų atramą.

► Įsitinkite, kad naudokite tinkamus virtuvės indus. Atsižvelkite į viryklės degiklio ir virtuvės indų skersmenis:

Viryklės degiklių skersmuo	Virtuvės indų skersmuo
Ø 62 mm	16 – 22 cm
Ø 77 mm	16 – 22 cm

- Pritvirtinkite virtuvės indus jiems skirtoje atramoje, naudodami atramos rankenėles (žr. **16** pav., 16 psl.).

Kepimo grotelių naudojimas (tik CU351MK)



PERSPĖJIMAS! Nudėgimo pavojus

- Ištraukite šiluminę apsaugą, kad apsaugotumėte rankenėles ir jų nekaitintų kepimo grotelės.
- Naudojant kepimo groteles ir po naudojimo, šiluminę apsaugą labai įkaitusi. Liesdami šiluminę apsaugą, dėvėkite apsaugines pirštines.

- Naudokite šiluminę apsaugą, kaip parodyta **17** pav., 16 psl..

Viryklės ir dujinės orkaitės išjungimas

- Išjunkite viryklę ir dujinę orkaitę, kaip parodyta **18** pav., 17 psl..

Energijos taupymas

- Po naudojimo išjunkite viryklę ir dujinę orkaitę (žr. skyrius „Viryklės ir dujinės orkaitės išjungimas“ 259 psl.).
- Kai naudojate orkaitę, uždarykite jos dureles.

Valymas ir techninė priežiūra



ĮSPĖJIMAS! Sprogimo pavojus

Tikrindami, ar nėra dujų tiekimo nuotėkio, nenaudokite liepsnos arba išdinančio skysčio.



PERSPĖJIMAS! Nudėgimo pavojus

Naudojant ir po naudojimo viryklę ir dujinę orkaitę labai įkaitę. Išjunkite viryklę ir dujinę orkaitę. Prieš valydami, pakaudami ar transportuodami, palaukite, kol viryklė ir dujinė orkaitė atvės.



PRANEŠIMAS! Žalos pavojus

- Viryklei ir dujinei orkaitei valyti nenaudokite abrazyvinių, išdinančių, chlorintų ir šiurkščių valymo priemonių ar šepėčių.
- Nenaudokite garinių valytuvų.
- Dujų kontūriui valyti nenaudokite suslėgto oro.
- Nuo viryklės ir dujinės orkaitės pašalinkite actą, druskas, citrinų rūgštį arba kitas rūgštines ar šarmines medžiagas.

- Viryklę ir dujinę orkaitę nuvalykite drėgna šluoste naudodami neutralias valymo priemones (**19** pav., 17 psl.).
- Orkaitės degiklį valykite vandeniu, kaip parodyta **20** pav., 18 psl..
- Norėdami išvalyti ar pakeisti dujų purkštukus, kreipkitės į įgaliotą techninės priežiūros centrą.

Degiklių priežiūra



ĮSPĖJIMAS! Gaisro pavojus

Vorai gali sumegzti voratinklius, o vabzdžiai gali susukti lizdus degiklių viduje. Voratinkliai ir lizdai gali trukdyti dujų srautui ir sukelti gaisrą. Pašalinkite bet kokius vabzdžius, vorus, lizdus ar voratinklius iš degiklio vidaus.

1. Tikrinkite degiklius du kartus per mėnesį, ar nėra voratinklių ir lizdų.
2. Jei reikia, pašalinkite vabzdžius, vorus, lizdus ir voratinklius iš degiklio vidaus.

Dujų baliono keitimas



ĮSPĖJIMAS! Pavojus sveikatai

- Dujų balioną keiskite gerai vėdinamoje vietoje.
- Įsitinkite, kad toje vietoje nėra atviros liepsnos.
- Dujų balioną keiskite tik tada, kai viryklė ir dujinė orkaitė yra išjungtos.

1. Uždarykite dujų baliono dujų vožtuvą.
2. Atsukite reguliatorių nuo dujų baliono.
3. Jei naudojama dujų žarnelė, įsitinkite, kad ji nėra sugadinta.

4. Jei reikia, pakeiskite žarnelę (žr. skyrius „Žarnelės keitimas“ 260 psl.).
5. Ranka užsukite reguliatorių ant naujo dujų baliono.
3. Pakeiskite dujų žarnelę.
4. Ranka užsukite reguliatorių ant dujų baliono.
5. Naudodami putojančią medžiagą, pvz., muilą, patikrinkite dujų žarnelę, ar nėra nuotėkio.

Žarnelės keitimas



ĮSPĖJIMAS! Pavojus sveikatai

- Prietaisą naudokite gerai vėdinamoje vietoje.
- Įsitikinkite, kad toje vietoje nėra atviros liepsnos.
- Žarnelę keiskite tik tada, kai viryklė ir dujinė orkaitė yra išjungtos.

1. Uždarykite dujų baliono dujų vožtuvą.
2. Atsukite reguliatorių nuo dujų baliono.

Laikymas



ĮSPĖJIMAS! Nudėgimo pavojus

Naudojant ir po naudojimo viryklė ir dujinė orkaitė labai įkaitę. Išjunkite viryklę ir dujinę orkaitę. Prieš pakuodami ar transportuodami, palaukite, kol viryklė ir dujinė orkaitė atvės.

1. Uždarykite dujų baliono dujų vožtuvą.
2. Nuvalykite viryklę ir dujinę orkaitę (žr. skyrius „Valymas ir techninė priežiūra“ 259 psl.).

Gedimų nustatymas ir šalinimas

Triktis	Galima priežastis	Priemonė
Prietaisas neužsidega.	Naudojamos neteisingos dujos.	<ul style="list-style-type: none"> ▶ Būtinai naudokite pakankamai dujų. Atsižvelkite į viryklės ir dujinės orkaitės dujų reguliavimo specifikacijas duomenų plokštelėje ir skyrius „Techniniai duomenys“ 262 psl. nurodytas specifikacijas. ▶ Jei reikia, pakeiskite dujų balioną (žr. skyrius „Dujų baliono keitimas“ 259 psl.).
	Tuščias dujų balionas.	▶ Pakeiskite dujų balioną (žr. skyrius „Dujų baliono keitimas“ 259 psl.).
	Sugadinta žarnelė.	▶ Pakeiskite žarnelę (žr. skyrius „Žarnelės keitimas“ 260 psl.).
	Yra gedimas arba prastai sujungta jungtis.	<ul style="list-style-type: none"> ▶ Prijunkite vamzdį arba žarnelę iš naujo (skyrius „Prijungimas prie dujų baliono“ 257 psl.). ▶ Jei reikia, išjunkite dujų tiekimą ir kreipkitės į įgaliotąjį techninės priežiūros atstovą.
	Sugadinta termopora.	▶ Išjunkite dujų tiekimą ir kreipkitės į įgaliotąjį techninės priežiūros atstovą.
	Sugedo viryklė ir dujinė orkaitė.	

Trikis	Galima priežastis	Priemonė
Neužsidega viryklės degikliai.	Neatsiranda kibirkštis.	▶ Atitinkamą viryklės degiklio rankenėlę nustatykite ties žemiausiu lygiu ir įjunkite viryklės degiklį (žr. skyrius „Degiklių uždegimas“ 258 psl.).
Orkaitė neužsidega.	Neatsiranda kibirkštis.	▶ Išjunkite orkaitę 1 minutei. ▶ Įjunkite orkaitę (žr. skyrius „Degiklių reguliavimas“ 258 psl.).
Tik CU351MK: kepimo grotelės neužsidega.	Neatsiranda kibirkštis.	▶ Išjunkite kepimo groteles 1 minutei. ▶ Įjunkite kepimo groteles (žr. skyrius „Naudojant viryklę“ 258 psl.).

Garantija

Taikomas įstatymų nustatytas garantinis laikotarpis. Jei gaminys pažeistas, kreipkitės į mažmenininką arba į gamintojo atstovybę savo šalyje (žr. domestic.com/dealer).

Jei reikalingas remontas ir garantinis aptarnavimas, pristatydami gaminį pateikite šiuos dokumentus:

- Kvito kopiją su nurodyta pirkimo data
- Pretenzijos priežastį arba gedimo aprašymą


Atkreipkite dėmesį, kad remontas savo jėgomis arba neprofesionalus remontas gali turėti pasekmių saugumui ir gali panaikinti garantiją.

Utilizavimas



- ▶ Jei įmanoma, pakavimo medžiagą sudėkite į atitinkamas perdirbimo šiukšliadėžes.
- ▶ Išsamios informacijos apie tai, kaip gaminį pašalinti pagal galiojančias atliekų šalinimo taisykles, teiraukitės vietiniame perdirbimo centre arba specializuoto prekybos atstovo.

Techniniai duomenys

	CU351MK	CU354MK
Bendra vardinė galia	6,4 kW, 466 g/h	5,1 kW, 371 g/h
Orkaitės vardinė galia	1,1 kW, 89 g/h	
Kepimo grotelių vardinė galia	1,3 kW, 95 g/h	–
Viryklės vardinė galia	2,2 kW, 160 g/h	
Kairysis degiklis	1,8 kW, 131 g/h	
Dešinysis degiklis		
Degimo oro tūris	12,8 m ³ /h	10,2 m ³ /h
Prijungimo slėgis	6 pav., 8 psl.	
Matmenys (A x P x G)	508 x 450 x 358 mm	398 x 449 x 357 mm
Svoris	18,50 kg	15,50 kg
Viryklės degiklių matmenys	Ø 62 mm	
Kairysis degiklis	Ø 70 mm	
Dešinysis degiklis		
Sertifikatai		

Lūdzu, rūpīgi izlasiet šīs lietošanas rokasgrāmatas norādījumus un ievērojiet visus norādījumus, vadlīnijas un brīdinājumus, kas ietverti šajā produkta rokasgrāmatā, lai nodrošinātu, ka produkts vienmēr tiek pareizi uzstādīts, lietots un apkopts. Šie norādījumi ir JĀGLABĀ kopā ar produktu.

Lietojot šo produktu jūs apstiprināt, ka visi norādījumi, vadlīnijas un brīdinājumi ir izlasīti, saprasti, un jūs piekristat ievērot noteikumus un nosacījumus, kas izklāstīti šajā rokasgrāmatā. Jūs piekristat lietot šo produktu tikai tam paredzētajam nolūkam un pielietojumam, un saskaņā ar norādījumiem, vadlīnijām un brīdinājumiem, kas izklāstīti šajā produkta rokasgrāmatā, kā arī saskaņā ar piemērojamiem tiesību aktiem un noteikumiem. Neizlasot un neievērojot instrukcijas un brīdinājumus, kas izklāstīti šajā rokasgrāmatā, varat radīt savainojumus sev un citiem, nodarīt bojājumus produktam vai bojājumus citam tuvumā esošajam īpašumam. Šī produkta rokasgrāmatā, tostarp norādījumi, vadlīnijas un brīdinājumi, un saistītā dokumentācija var mainīties vai tikt atjaunota. Lai iegūtu jaunāko produkta informāciju, lūdzu, apmeklējiet vietni documents.dometic.com.

Saturs

Simbolu skaidrojums	263
Drošības norādes	263
Komplektācija	266
Mērķauditorija	266
Paredzētās izmantošanas mērķis	266
Tehniskais apraksts	266
Uzstādīšana	267
Ekspluatācija	268
Enerģijas taupīšana	269
Tīrīšana un apkope	269
Uzglabāšana	270
Problēmu novēršana	271
Garantija	271
Atkritumu pārstrāde	272
Tehniskie dati	272

Simbolu skaidrojums



BRĪDINĀJUMS!

Drošības norāde: Apzīmē bīstamu situāciju, kas var izraisīt nāvējošus vai nopietnus savainojumus, ja netiks novērsta.



ESIET PIESARDZĪGI!

Drošības norāde: Apzīmē bīstamu situāciju, kas var izraisīt vieglus vai vidēji smagus savainojumus, ja netiks novērsta.



NEMIET VĒRĀ!

Apzīmē bīstamu situāciju, kas var izraisīt materiālu kaitējumu, ja netiks novērsta.



PIEZĪME

Papildu informācija produkta lietošanai.

Drošības norādes

Ievada piezīmes

- Pirms uzstādīšanas pārliecinieties, ka vietējie apgādes nosacījumi (gāzes veids un gāzes spiediens) un ierīces regulējumi ir saderīgi.
- Šīs ierīces regulējuma nosacījumi ir norādīti uz marķējuma (vai datu plāksnītes).
- Šī ierīce nav pievienota sadegšanas produktu izsūkņēšanas ierīcei. To nepieciešams pievienot saskaņā ar spēkā esošajiem uzstādīšanas noteikumiem. Īpaša uzmanība jāpievērš attiecīgajām prasībām attiecībā uz ventilāciju.

Vispārīga drošība



BRĪDINĀJUMS! Šo brīdinājumu neievērošana var izraisīt nāvējošas vai smagas traumas.

Sprādzienbīstamība

- Šīs ierīces remontu drīkst veikt tikai kvalificēts speciālists. Nepareizi veikts remonts var radīt nopietnus apdraudējumus.
- Šo ierīci jāuzstāda saskaņā ar uzstādīšanas valsti spēkā esošajiem noteikumiem.
- Šo ierīci drīkst lietot tikai labi ventilētā vietā.
- Pirms ierīces uzstādīšanas un lietošanas izlasiet instrukcijas.
- Nepārveidojiet ierīci.
- Nenoņemiet un nemainiet ierīces detaļas.
- Gāzes šļūtene jānomaina, ja to paredz valsti spēkā esošie noteikumi.
- Nevērpīet, nestiepīet, nesaspīdīet vai jebkādā citā veidā nenoslogojiet gāzes padeves šļūteni.

Ugunsdrošības apdraudējums

- Ja ierīce ir karsta vai darbojas, neatstājiet to bez uzraudzības.

- Bērni jāuzrauga, lai nepieļautu, ka tie spēlējas ar ierīci.
- Nodrošini, ka ir pieejams piemērots ugunsdzēsības aparāts. Nodrošini, ka ugunsdzēsības aparātu regulāri pārbauda kvalificēts darbinieks.

Apdegumu risks

- Netuvojiet rokas, seju un matus degļiem.
- Aizdedzināšanas vai šīs ierīces lietošanas laikā nevalkājiet brīvu apģerbu vai neļaujiet gariem matiņiem brīvi karāties.
- Nodrošini, lai tuvumā nebūtu bērnu un mājdzīvnieku.
- Rūpīgi uzraugiet aktivitātes ierīces tuvumā, lai izvairītos no apdegumiem un citiem savainojumiem.
- Nekustini ierīci, kad tā darbojas.

Apdraudējums veselībai

- Bērni, kas sasnieguši 8 gadu vecumu, un personas ar ierobežotām fiziskām, uztveres vai garīgām spējām vai bez pieredzes un zināšanām šo ierīci drīkst lietot tikai tad, ja šādas personas tiek uzraudzītas vai ir saņēmušas norādījumus par ierīces drošu lietošanu, un ir izpratušas iespējamos riskus.
- Bērni jāuzrauga, lai nepieļautu, ka tie spēlējas ar ierīci.



ESIET PIESARDZĪGI! Šo brīdinājumu neievērošana var izraisīt vieglas vai vidēji smagas traumas.

Savainošanās risks

- Ja ierīcei ir stikla vāks, stikla vāka saplīšanas gadījumā veiciet tālāk norādītās darbības.
 - Nekavējoties izslēdziet visus degļus un elektriskos sildelementus, un atslēdziet ierīci no barošanas avota.
 - Nepieskarieties ierīces virsmai.
 - Neizmantojiet ierīci.



NEMIET VĒRĀ! Bojājumu risks

- Ja ierīcei ir stikla vāks, veiciet tālāk norādītās darbības.
 - Aizveriet stikla vāku pirms brauciena uzsākšanas.
 - Pirms stikla vāka aizvēršanas izslēdziet visus degļus.

Piesardzības pasākumi, rīkojoties ar sašķidrinātu gāzi



BRĪDINĀJUMS! Šo brīdinājumu neievērošana var izraisīt nāvējošas vai smagas traumas.

Sprādzienbīstamība

- Pēc lietošanas vienmēr atvienojiet sašķidrinātās gāzes balonu.
- Uzglabājiet sašķidrinātās gāzes balonus labi ventilētā, bērniem nepieejamā vietā drošā attālumā no apsildes vai ēdiena gatavošanas ierīcēm, kā arī citiem gaismas vai siltuma avotiem.
- **Nekad** neuzglabājiet sašķidrinātās gāzes balonus neventilētās platībās vai zem zemes (piltuves formas atveres zemē).
- **Nekad** neuzglabājiet sašķidrinātās gāzes balonus ēkās, piemēram, garāžās.
- Uzglabāšanai telpās jābūt saskaņā ar valstī spēkā esošajiem noteikumiem.
- Neuzglabājiet sašķidrinātās gāzes balonus guļus.
- Sargāt sašķidrinātās gāzes balonus no tiešiem saules stariem. Temperatūra nedrīkst pārsniegt 50 °C.

Droša iekārtas lietošana



BĪSTAMI! Šo norādījumu neievērošana izraisīs nāvējošas vai smagas traumas.

Saīndēšanās ar oglekļa monoksīdu risks

- Sašķidrinātās gāzes sadegšanas procesā rodas oglekļa monoksīds, kas uzkrājas slēgtās telpās. Izmantojiet šo ierīci tikai tad, ja pieejama pietiekama ventilācija.

Nosmakšanas apdraudējums

- Izmantojot šo ierīci neventilētā platībā, tiek samazināts telpā esošā skābekļa daudzums.
- Neizmantojiet šo ierīci kā sildītāju.
- Izmantojot ēdiena gatavošanas iekārtu, kas darbojas ar gāzi, telpā, kur iekārta uzstādīta, tiek radīts siltums, mitrums un sadegšanas produkti.
 - Nodrošini, lai virtuvē labu ventilāciju, it īpaši, ja ierīce tiek izmantota.
 - Nodrošini, ka dabiskās ventilācijas atveres ir atvērtas, vai uzstādi mehānisku ventilācijas ierīci (piemēram, mehānisku velkmes ventilatoru).

- Ilgstošai un intensīvai ierīces lietošanai var būt nepieciešama papildu ventilācija, piemēram, atvērts logs, vai efektīvāka ventilācija, piemēram, mehāniskās ventilācijas intensitātes palielināšana, ja tāda ir ierīkota.



BRĪDINĀJUMS! Šo brīdinājumu neievērošana var izraisīt nāvējošas vai smagas traumas.

Sprādzienbīstamība

- Neizmantojiet šo ierīci, ja tai ir noplūdes, bojājumi, vai tā darbojas nepareizi.
- Nekad neizmantojiet ierīci tālāk norādītajās situācijās.
 - Degvielas uzpildes stacijās
 - Uz prāmjēm
 - Transportējot autopiekabi vai dzīvojamajos traileri ar citu transportlīdzekli vai evakuatoru
- Ugunsgrēka gadījumā atslēdziet gāzes padevi.
- Nenovietojiet šīs ierīces tuvumā ķīmikālijas, uzliesmojošus materiālus vai izsmidzināmus aerosolus.
- Nekad neizmantojiet atklātu liesmu, lai meklētu gāzes noplūdes.
- Ja jūtama gāzes smaka, ievērojiet tālākās norādes.
 - Nemēģiniet ieslēgt šo ierīci.
 - Nodzēsiet jebkādu atklātu liesmu.
 - Atslēdziet gāzes padevi.
 - Atvienojiet ierīci no gāzes padeves.
 - Izmantojot ierīci telpās, atveriet logus un evakuējieties.
 - Lieciet speciālistam pārbaudīt gāzes sistēmu.
- Pievienojiet vai noņemiet gāzes balonu tikai ārpus telpām, kad tuvumā nav atklātas liesmas, kontrolliesmas vai citu aizdegšanās avotu, un dariet to tad, kad ierīce ir atdzisusi.
- Pirms gāzes balona izmantošanas pārbaudiet, vai blīvslēgs starp šo ierīci un gāzes balonu atrodas savā vietā un ir labā stāvoklī.
- Ja blīvslēgs ir bojāts vai nolietots, neizmantojiet šo ierīci.
- Pēc lietošanas atslēdziet gāzes padevi pie gāzes balona.

Ugunsdrošības apdraudējums

- Izmantošanas laikā ierīces tuvumā nedrīkst atrasties uzliesmojoši materiāli.
- Nenovietojiet uz šīs ierīces vai neatbalstiet pret to nekādus priekšmetus, izņemot ēdiena gatavošanas traukus.

- Nekad nenovietojiet šo ierīci uzliesmojošu materiālu tuvumā (papīrs, sausas lapas, tekstilizstrādājumi).
- Sargāt uzliesmojošus priekšmetus no degļa.
- Ēdiena gatavošanas trauku rokturiem jābūt novietotiem saskaņā ar tālākajām norādēm.
 - Nekad nepieļaujiet, ka ēdiena gatavošanas trauku rokturi sniedzas pāri ierīces malām.
 - Novietojiet ēdiena gatavošanas traukus tā, lai rokturi būtu iekšpusē, bet tie nesniegtos pāri citiem degļiem.
- Pārmērīgi nekarsējiet taukus vai eļļu.
- Rīkojoties ar karstiem ēdiena gatavošanas traukiem, izmantojiet tikai sausus virtuves cimds vai dvieļus.
- Izslēdziet ierīci pirms ēdiena gatavošanas trauku noņemšanas.
- Izmantojiet šo ierīci tikai pieaugušo uzraudzībā.

Apdegumu risks

- Piekļuvei pieejamās daļas varbūt ļoti karstas. Uzraugiet mazus bērnus.



ESIET PIESARDZĪGI! Šo brīdinājumu neievērošana var izraisīt vieglas vai vidēji smagas traumas.

Apdegumu risks

- Rīkojoties ar karstām detaļām, izmantojiet aizsargcimdus.
- Pirms pieskārsšanās ierīcei ar kailām rokām ļaujiet tai atdzist.
- Ja deglis jāaizdedzina manuāli:
 - izmantojiet garus sērkokciņus vai atbilstošas šķiltavas;
 - tiklīdz deglis aizdegas, ātri noņemiet rokas.
- Alkohola, recepšu vai bezrecepšu zāļu lietošana var mazināt jūsu spēju pareizi samontēt vai droši lietot šo ierīci.



NEMIET VĒRĀ! Bojājumu risks

- Neizmantojiet ārējo taimeru vai tālvadības sistēmu.

Komplektācija

Nr. att. 1, 3. lpp.	Daļa	Daudzums
1	Ēdiena gatavošanas trauku balsts	1
2	Cepešpanna	1
3	Cepeškrāsns režģis	1
4	Plīts virsma un gāzes cepeškrāsns	1
5	Montāžas kronšteins	2

Mērķauditorija



Gāzes pieslēguma montāža un uzstādīšana ir jāveic kvalificētai personai, kam ir pārbaudītas prasmes un zināšanas par gāzes iekārtu uzbūvi, uzstādīšanu un lietošanu un kas ir apguvusi drošības instruktažu iespējamo risku noteikšanai un novēršanai.

Paredzētais izmantošanas mērķis

Plīts virsma un gāzes cepeškrāsns paredzēta ēdiena gatavošanai.

Tikai CU351MK modelim Plīts virsma un gāzes cepeškrāsns paredzēta arī ēdiena grilēšanai.

Plīts virsma un gāzes cepeškrāsns paredzēta izmantošanai tikai laivās un jūras transportlīdzekļos.

Izmantošanai slēgtās telpās nepieciešams ievērot att. 5, 7. lpp. norādītās prasības. Gadījumos ar 3 sienām 30 % no sienu kopējās platības jābūt atvērtiem un neierobežotiem.

Plīts virsma un gāzes cepeškrāsns **nav** paredzēta lietošanai uz jumta klājiem, transportlīdzekļos vai ēkās.

Šis produkts ir piemērots tikai paredzētajam mērķim un lietojumam saskaņā ar šo instrukciju.

Šajā rokasgrāmatā ir sniegta informācija, kas nepieciešama pareizai produkta uzstādīšanai un/vai lietošanai. Nekvalitatīva uzstādīšana un/vai nepareiza lietošana vai apkope izraisīs neatbilstošu darbību un iespējamus bojājumus.

Ražotājs neuzņemas atbildību par savainojumiem vai produkta bojājumiem, kas radušies šādu iemeslu dēļ:

- nepareiza montāža vai pievienošana, tostarp pārmērīgs spriegums;
- nepareiza apkope vai tādu neoriģinālo rezerves daļu, kuras nav piegādājis ražotājs, lietošana;
- produkta modifikācijas, kuras ražotājs nav nepārprotami apstiprinājis;
- lietošana citiem mērķiem, kas nav aprakstīti šajā rokasgrāmatā.

Kampa patur tiesības mainīt produkta ārējo izskatu un specifiskāciju.

Tehniskais apraksts

Ar plīts virsmu un gāzes cepeškrāsni iespējams gatavot un cept ēdienu.

Tikai CU351MK modelim Plīts virsma un gāzes cepeškrāsns paredzēta arī ēdiena grilēšanai.

Plīts virsmu un gāzes cepeškrāsni piestiprina ar montāžas kronšteinu un tapu, kas nodrošina, ka ierīce ūdens viļņošanās laikā neizkustas. Ierīce ir aprīkota ar ēdiena gatavošanas trauku balstu, kas nodrošina, ka ūdens viļņošanās laikā ēdiena gatavošanas trauki uz plīts virsmas atrodas stabili un neslid.

Plīts virsmu un gāzes cepeškrāsni nepieciešams pievienot gāzes balonam.

CU354MK

Nr. att. 2, 4. lpp.	Daļa
1	Ēdiena gatavošanas trauku balsts
2	Cepeškrāsns temperatūras slēdzis
3	Cepeškrāsns režģis

Uzstādīšana



BRĪDINĀJUMS! Sprādzienbīstamība

- Pirms plīts virsmas un gāzes cepeškrāsns uzstādīšanas pārliecinieties, ka gāzes kvalitāte, spiediens un gāzes reduktori ir saderīgi ar plīts virsmu un gāzes cepeškrāsni. Ievērojiet plīts virsmas un gāzes cepeškrāsns gāzes regulējuma specifikāciju, kas norādīta uz datu plāksnītes, kā arī nodaļa "Tehniskie dati", 272. lpp. sadaļā norādītās specifikācijas.
- Plīts virsma un gāzes cepeškrāsns nav pievienota tvaika nosūcējam. Uzstādiet plīts virsmu un gāzes cepeškrāsni saskaņā ar spēkā esošajiem uzstādīšanas noteikumiem.

Nr. att. 2 , 4. lpp.	Detāļa
4	Cepešpanna
5	Cepeškrāsns durvis
6	Plīts virsmas labās puses degļa temperatūras slēdzis
7	Plīts virsmas kreisās puses degļa temperatūras slēdzis

CU351MK

Nr. att. 3 , 5. lpp.	Detāļa
1	Ēdiena gatavošanas trauku balsts
2	Cepeškrāsns temperatūras slēdzis
3	Grila temperatūras slēdzis
4	Grils
5	Cepešpanna
6	Cepeškrāsns režģis
7	Cepeškrāsns durvis
8	Plīts virsmas labās puses degļa temperatūras slēdzis
9	Plīts virsmas kreisās puses degļa temperatūras slēdzis

Temperatūras slēdži

Cepeškrāsns temperatūru un liesmas izmēru iespējams regulēt (att. **4**, 6. lpp.).

Cepeškrāsns temperatūras diapazons

Pozīcija	1	2	3
Temperatūra	130 °C	160 °C	180 °C

Pozīcija	4	5	6
Temperatūra	200 °C	220 °C	240 °C

Uzstādīšanas vietas izvēle

Izvēloties plīts virsmas un gāzes cepeškrāsns uzstādīšanas vietu, ievērojiet tālākās norādes.

- Novietojiet plīts virsmu un gāzes cepeškrāsni ārpus telpām vai telpā, kas atbilst norādītajām prasībām att. **5**, 7. lpp..
- Vietai jābūt labi vēdinātai.
- Nenovietojiet plīts virsmu un gāzes cepeškrāsni padziļinājumā, lai novērstu gāzu uzkrāšanos.
- Aizsargājiet plīts virsmu un gāzes cepeškrāsni no vēja un tiešas velkmes.
- Pamatnei jābūt stingrai, līdzenei un stabīlai.
- Darbības laikā korpuss un grilēšanas nodalījums kļūst ļoti karsts. Plīts virsmai un gāzes cepeškrāsnij jāatrodas uz pamatnes, kas spēj izturēt vismaz 80 °C karstumu.

Gāzes balona pievienošana

Plīts virsma un gāzes cepeškrāsns darbojas ar izmantošanas valstī pieejamiem rūpnieciski ražotiem gāzes baloniem (att. **6**, 8. lpp.).

Gāzes balonam jābūt atbilstošam tālākajiem nosacījumiem.

- Gāzes balonu vienmēr jānovieto tam paredzētajā nodalījumā.
- Gāzes balonu vienmēr jānovieto vertikāli.

- Gāzes balonam jābūt aprīkotam ar reduktoru, kam iespējams viegli piekļūt un tas nav aizsegts.

Gāzes padeves caurulei, kas pievienota ierīcei, jābūt no cieta metāla ar hermētiskiem savienojumiem. Ja tiek izmantota elastīga šļūtene, nepieciešams ievērot tālākās norādes.

- Šļūtenei jābūt viegli pieejamai, lai to būtu iespējams pārbaudīt.
 - Šļūtene nedrīkst saskarties ar ierīces daļām, kas uzkarst.
 - Šļūtene jāpasargā no bojājumiem.
 - Šļūtene jāpasargā no saspiešanas, ko var izraisīt, piemēram, atvilktnes.
 - Šļūtenes garums nedrīkst pārsniegt 1,5 m.
 - Šļūtene jānomaina pirms tās derīguma termiņa beigām.
1. Pievienojiet gāzes balona cauruli vai šļūteni plīts virsmai un gāzes cepeškrāsnij (att. **7** - att. **8**, 9. lpp.).
Šļūtene jāpievelk ar piemērotu uzgriežņu atslēgu, piemēram, bīdatslēgu, lai nodrošinātu gāzniecārlaidīgu savienojumu.
 2. Ar putojošu līdzekli, piemēram, ziepēm, pārbaudiet, vai gāzes šļūtenei vai caurulei nav noplūdes.



BRĪDINĀJUMS! Sprādzienbīstamība

Neizmantojiet liesmu vai korozīvu šķīdumu, lai pārbaudītu, vai gāzes padevei nav noplūdes.

Plīts virsmas un gāzes cepeškrāsns montāža

1. Nodrošiniet pietiekamu attālumu no sienām un skapjiem (skatīt att. **9**, 10. lpp.).
2. Montējiet plīts virsmu un gāzes cepeškrāsnī, kā parādīts att. **10** - att. **11**, 11. lpp..

Ekspluatācija



BRĪDINĀJUMS! Sprādzienbīstamība

- Aizdedziniet degļus uzreiz pēc gāzes padeves ieslēgšanas. Pretējā gadījumā gāze degļu zonā var uzkrāties un izraisīt sprādzienu.
- Aizdedzināšanas procedūrai jābūt redzamai no augšpuses, un to nedrīkst aizsegēt uz plīts virsmas novietoti ēdiena gatavošanas trauki.



NEMIET VĒRĀ! Bojājumu risks

Tikai CU351MK modelim Neizmantojiet grilu ilgāk par 25 minūtēm.



PIEZĪME

- Plīts virsmas un gāzes cepeškrāsns darbības laikā var būt dzirdams neliels troksnis, ko rada gāzes izplūšana.
- Pirmo reizi lietojot plīts virsmu un gāzes cepeškrāsnī, var rasties dūmi. Dūmus izraisa apstrādes eļļas nosēdumu sadegšana, un tiem būtu jāizzūd pēc aptuveni 10 minūtēm.
- **Tikai CU351MK modelim** Grilu nevar izmantot kā cepeškrāsnī.
- Izmantojot propānu (G31), liesma ir zila ar dzeltenu augšdaļu.
- Izmantojot butānu (G30), liesma ir zila ar dzeltenu augšdaļu aizdedzināšanas brīdī. Dzeltenā augšdaļa kļūst intensīvāka, kad deglis ir uzkaršis.

Degļu aizdedzināšana

- Aizdedziniet plīts virsmas degļus saskaņā ar att. **12** (1) 12. lpp. un att. **13**, 13. lpp..
- **Tikai CU351MK modelim** Aizdedziniet grila degli saskaņā ar att. **12** (2) 12. lpp. un att. **14**, 14. lpp..
- Aizdedziniet cepeškrāsns degli saskaņā ar att. **12** (3) 12. lpp. un att. **15**, 15. lpp..

Degļu regulēšana



NEMIET VĒRĀ! Bojājumu risks

Nodrošiniet, ka liesmas cepeškrāsnī neskar cepešpannu, cepeškrāsns režģi un ēdiena gatavošanas traukus.



PIEZĪME

- Pirmo reizi aizdedzinot cepeškrāsns degli, pirms temperatūras regulēšanas ļaujiet tai darboties vismaz 30 minūtes ar augstāko temperatūru.
- Pirmo reizi aizdedzinot plīts virsmas degļus, pirms temperatūras regulēšanas ļaujiet attiecīgajam deglim 15 – 20 minūtes darboties ar augstāko liesmas intensitāti.

► Ar attiecīgo regulatoru iestatiet nepieciešamo temperatūru vai liesmas intensitāti (skatīt nodaļu "Temperatūras slēdži", 267. lpp. un nodaļu "Cepeškrāsns temperatūras diapazons", 267. lpp.).

✓ Aizdedzinot cepeškrāsns degli, liesma deg ar vislielāko intensitāti. Kad cepeškrāsns sasniedz iestatīto temperatūru, liesma automātiski samazinās.

Plīts virsmas izmantošana



BRĪDINĀJUMS! Ugunsdrošības apdraudējums

Liesma nedrīkst sniegties pāri ēdiena gatavošanas trauka apakšējai malai. Centrējiet ēdiena gatavošanas trauku virs degļa un droši to novietojiet, izmantojot ēdiena gatavošanas trauku balstu.

► Izmantojiet piemērotus ēdiena gatavošanas traukus. Ņemiet vērā plīts virsmas degļa un ēdiena gatavošanas trauku diametrus.

Plīts virsmas degļa diametrs	Ēdiena gatavošanas trauka diametrs
∅ 62 mm	16 – 22 cm
∅ 77 mm	16 – 22 cm

► Nostipriniet ēdiena gatavošanas traukus, izmantojot ēdiena gatavošanas trauku balsta regulatorus (skatīt att. 16, 16. lpp.).

Grila izmantošana (tikai CU351MK modelim)



ESIET PIESARDZĪGI! Apdegumu risks

- Izvelciet karstumaizsargu, lai pasargātu slēdžus no uzkaršanas, izmantojot grilu.
- Grila izmantošanas laikā un pēc tam karstumaizsargs ir ļoti karsts. Pieskaroties karstumaizsargam, izmantojiet aizsargcimdus.

► Izmantojiet karstumaizsargu saskaņā ar norādēm att. 17, 16. lpp..

Plīts virsmas un gāzes cepeškrāsns izslēgšana

► Izslēdziet plīts virsmu un gāzes cepeškrāsni, kā parādīts att. 13, 17. lpp..

Energijas taupīšana

► Pēc izmantošanas izslēdziet plīts virsmu un gāzes cepeškrāsni (skatīt nodaļu "Plīts virsmas un gāzes cepeškrāsns izslēgšana", 269. lpp.).

► Izmantojot cepeškrāsni, aizveriet tās durvis.

Tīrīšana un apkope



BRĪDINĀJUMS! Sprādzienbīstamība

Neizmantojiet liesmu vai koroziņu šķidrumu, lai pārbaudītu, vai gāzes padevei nav noplūdes.



ESIET PIESARDZĪGI! Apdegumu risks

Izmantošanas laikā un pēc tam plīts virsma un gāzes cepeškrāsns ir ļoti karsta. Izslēdziet plīts virsmu un gāzes cepeškrāsni. Pirms tīrīšanas, iepakojšanas vai pārvietošanas ļaujiet plīts virsmai un gāzes cepeškrāsnij atdzist.



NEMIET VĒRĀ! Bojājumu risks

- Plīts virsmas un gāzes cepeškrāsns tīrīšanai neizmantojiet abrazīvus, korozīvus, hlorētus vai rupjus tīrīšanas līdzekļus vai birstes.
- Neizmantojiet tvaika tīrītājus.
- Gāzes sistēmas tīrīšanai neizmantojiet saspīestu gaisu.
- Atbrīvojiet plīts virsmu un gāzes cepeškrāsni no etiķa, sāls, citronskābes vai citām skābēm un sārmainām vielām.

- ▶ Tīriet plīts virsmu un gāzes cepeškrāsni ar mitru drānu un neitrālu tīrīšanas līdzekli (att. **19**, 17. lpp.).
- ▶ Tīriet cepeškrāsns degli ar ūdeni, kā parādīts att. **20**, 18. lpp..
- ▶ Lai tīrītu vai nomainītu gāzes sprauslas, sazinieties ar pilnvarotu servisa centru.

Degļu apkope



BRĪDINĀJUMS! Ugunsdrošības apdraudējums

Degļos var ieperināties zirnekļi un kukaiņi. Zirnekļu tīkli un kukaiņu perēkļi var bloķēt gāzes plūsmu un izraisīt aizdegšanos. Atbrīvojiet degli no kukaiņiem, zirnekļiem, kukaiņu perēkļiem vai zirnekļu tīkliem.

1. Divreiz mēnesī pārbaudiet degļus, vai tur nav zirnekļu tīklu vai kukaiņu perēkļu.
2. Ja nepieciešams, atbrīvojiet degli no kukaiņiem, zirnekļiem, kukaiņu perēkļiem un zirnekļu tīkliem.

Gāzes balona nomaīņa



BRĪDINĀJUMS! Apdraudējums veselībai

- Nomainiet gāzes balonu labi ventilētā vietā.
- Nodrošiniet, ka tuvumā nav atklātu liesmu.
- Mainiet gāzes balonu tikai tad, kad plīts virsma un gāzes cepeškrāsns ir izslēgta.

1. Aizveriet gāzes balona vārstu.
2. Noskrūvējiet reduktoru no gāzes balona.

3. Ja tiek izmantota gāzes šļūtene, pārliecinieties, ka tā nav bojāta.
4. Ja nepieciešams, nomainiet šļūteni (skatīt nodaļa "Šļūtenes nomaīņa", 270. lpp.).
5. Ar roku uzskrūvējiet reduktoru uz jaunā gāzes balona.

Šļūtenes nomaīņa



BRĪDINĀJUMS! Apdraudējums veselībai

- Nomainiet šļūteni labi ventilētā vietā.
- Nodrošiniet, ka tuvumā nav atklātu liesmu.
- Mainiet šļūteni tikai tad, kad plīts virsma un gāzes cepeškrāsns ir izslēgta.

1. Aizveriet gāzes balona vārstu.
2. Noskrūvējiet reduktoru no gāzes balona.
3. Nomainiet gāzes šļūteni.
4. Ar roku uzskrūvējiet reduktoru uz gāzes balona.
5. Ar putojošu līdzekli, piemēram, ziepēm, pārbaudiet, vai gāzes šļūtenei nav noplūdes.

Uzglabāšana



BRĪDINĀJUMS! Apledumu risks

Izmantošanas laikā un pēc tam plīts virsma un gāzes cepeškrāsns ir ļoti karsta. Izslēdziet plīts virsmu un gāzes cepeškrāsni. Pirms iepakojšanas vai pārvietošanas ļaujiet plīts virsmai un gāzes cepeškrāsnij atdzist.

1. Aizveriet gāzes balona vārstu.
2. Notīriet plīts virsmu un gāzes cepeškrāsni (skatīt nodaļa "Tīrīšana un apkope", 269. lpp.).

Problēmu novēršana

Kļūda	Iespējamais iemesls	Risinājums
Ierīce nedarbojas.	Tiek izmantota nepareizā gāze.	<ul style="list-style-type: none">▶ Pārliedzieties, ka tiek izmantota atbilstoša gāze. Ievērojiet plīts virsmas un gāzes cepeškrāsns gāzes regulējuma specifikāciju, kas norādīta uz datu plāksnītes, kā arī nodaļa "Tehniskie dati", 272. lpp. sadaļā norādītās specifikācijas.▶ Ja nepieciešams, nomainiet gāzes balonu (skatīt nodaļa "Gāzes balona nomainīšana", 270. lpp.).
	Gāzes balons ir tukšs.	<ul style="list-style-type: none">▶ Nomainiet gāzes balonu (skatīt nodaļa "Gāzes balona nomainīšana", 270. lpp.).
	Šļūtene ir bojāta.	<ul style="list-style-type: none">▶ Nomainiet šļūteni (skatīt nodaļa "Šļūtenes nomainīšana", 270. lpp.).
Ierīce darbojas nepareizi, vai savienojumi ir slikti.		<ul style="list-style-type: none">▶ Pievienojiet cauruli vai šļūteni no jauna (nodaļa "Gāzes balona pievienošana", 267. lpp.).▶ Ja nepieciešams, atslēdziet gāzes padevi un sazinieties ar pilnvarotu servisa pārstāvi.
	Termopāris ir bojāts.	<ul style="list-style-type: none">▶ Atslēdziet gāzes padevi un sazinieties ar pilnvarotu servisa pārstāvi.
	Plīts virsma un gāzes cepeškrāsns ir bojāta.	
Plīts virsmas degļi neaizdegas.	Dzirksteles nerodas.	<ul style="list-style-type: none">▶ Noregulējiet attiecīgo plīts virsmas degļi zemākajā līmenī un ieslēdziet to (see nodaļa "Degļu aizdedzināšana", 268. lpp.).
Cepeškrāsns nedarbojas.	Dzirksteles nerodas.	<ul style="list-style-type: none">▶ Uz 1 minūti ieslēdziet cepeškrāsns.▶ Ieslēdziet cepeškrāsns (skat. nodaļa "Degļu regulēšana", 268. lpp.).
Tikai CU351MK modelim Grils nedarbojas.	Dzirksteles nerodas.	<ul style="list-style-type: none">▶ Uz 1 minūti ieslēdziet grilu.▶ Ieslēdziet grilu (skat. nodaļa "Plīts virsmas izmantošana", 269. lpp.).

Garantija

Ir spēkā likumā noteiktais garantijas periods. Produkta bojājumu gadījumā sazinieties ar tirgotāju vai

ražotāja filiāli savā valstī (skatiet dometic.com/dealer).

Nosūtot produktu remontam garantijas ietvaros, pievienojiet šādus dokumentus:

- čeka kopiju, kurā norādīts iegādes datums;
- pretenzijas iesniegšanas iemeslu vai bojājuma aprakstu.

Ņemiet vērā, ka pašrocīgi vai neprofesionāli veikts remonts var radīt drošības riskus, un garantija var tikt anulēta.

Atkritumu pārstrāde



- ▶ Ja iespējams, iepakojuma materiālus izmetiet atbilstošos atkritumu šķirošanas konteineros.
- ▶ Informāciju par produkta utilizāciju, ievērojot spēkā esošos atkritumu apsaimniekošanas noteikumus, konsultējieties ar vietējo atkritumu pārstrādes centru vai specializēto izplatītāju.

Tehniskie dati

	CU351MK	CU354MK
Kopējā nominālā jauda	6,4 kW, 466 g/h	5,1 kW, 371 g/h
Cepeškrāsns nominālā jauda	1,1 kW, 89 g/h	
Grīla nominālā jauda	1,3 kW, 95 g/h	–
Plīts virsmas nominālā jauda	2,2 kW, 160 g/h	
Kreisais deglis	1,8 kW, 131 g/h	
Labais deglis		
Degšanai nepieciešamā gaisa tilpums	12,8 m ³ /h	10,2 m ³ /h
Savienojuma spiediens	att. 6, 8. lpp.	
Izmēri (augst. x plat. x dziļ.)	508 x 450 x 358 mm	398 x 449 x 357 mm
Svars	18,50 kg	15,50 kg
Plīts virsmas degļu izmērs	Ø 62 mm	
Kreisais deglis	Ø 70 mm	
Labais deglis		
Sertifikācijas		



dometic.com

**YOUR LOCAL
DEALER**

dometic.com/dealer

**YOUR LOCAL
SUPPORT**

dometic.com/contact

**YOUR LOCAL
SALES OFFICE**

dometic.com/sales-offices