

Click object to rotate

## Essential

**Universal Twin 40mm LNB**  
**IDLE-TWNS47-ESSEN-OPP**  
**Item: 5250**



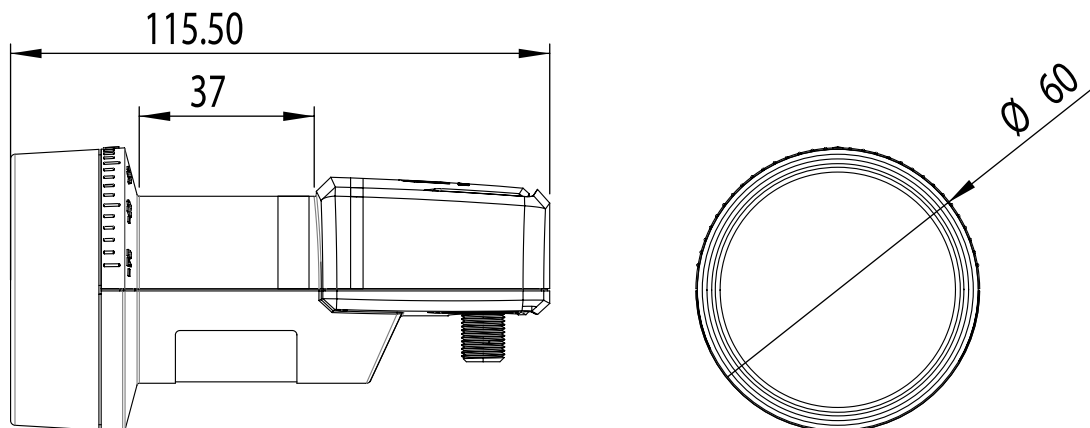
Specifically designed to address the demand of the global DTH market for a competitive and 4G/LTE protected solution, this LNB provides optimized reception capabilities using the latest technology in satellite reception. It enables the reception of satellite TV from a single satellite and its distribution to two Set-top boxes or to a dual tuner PVR. The LNB supports Standard, High Definition and the latest Ultra HD (4K) transmissions, delivers excellent RF performances, very low power consumption and importantly engineered to mitigate interferences from 4G/LTE transmissions. Manufactured to the highest industry quality standards and engineered to meet strict specifications, this LNB is an ideal solution for DTH operators and satellite broadcast reception across the world.

### Main Features:

- Low Phase Noise, DVB-S2 (HDTV/UHD) compliant
- Low Noise Figure
- High Cross Polarization Isolation
- High Frequency Stability (PLL-based)
- Low Power Consumption
- Greater immunity against 4G interferences

## Technical data

Low band Input Frequency Range	10.7 ~ 11.7 GHz
Output Frequency Range	950 ~ 1950 MHz
High Band Input Frequency Range	11.7 ~ 12.75 GHz
Output Frequency Range	1100 ~ 2150 MHz
LO Frequency @ 25°C [PLL]	±400KHz
LO Temperature Drift [PLL]	±600KHz
LO Phase Noise	-50dBc@1kHz -80dBc@10kHz -90dBc@100kHz
Conversion Gain	55dB ~ 70dB
Gain variation	5dB (max)
Gain flatness (36 MHz)	1dB / 36MHz
Noise Figure	0.7dB max
Cross polarization isolation	20dB(min)
Image rejection	40dB (min)
P1dB	0dBm (min)
3th Order Intermodulation - ICP3	10dBm
Output Return loss	8 dB (min)
In-band output Spurious (1700MHz)	-60 dBm (max)
DC Power	11-20VDC 140mA max.
Vertical Polarization	11.5 - 14V
Horizontal Polarization	16 - 19V
Low / High Band Switching	0 / 22kHz
Output Impedance	75 ohm



For purpose of brevity, some product descriptions in this sheet remain at platform level and may not be referred to as detailed datasheets of the products. Inverto Digital Labs reserves the right to amend, omit or add products, product-lines, and / or features without notice.

For further details contact: [sales@inverto.tv](mailto:sales@inverto.tv)

FTA Communication Technologies S.a.r.l Tel. +352 264 367 1 Fax. +352 264 313 68

