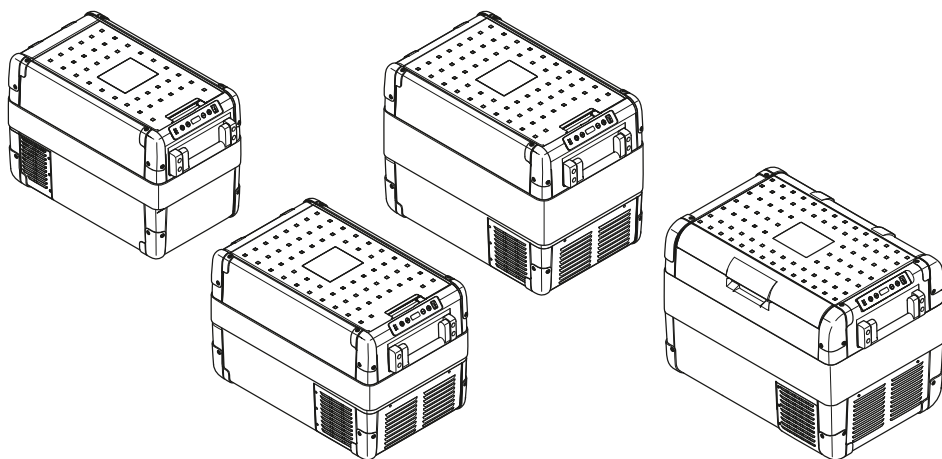


↗ DOMETIC

MOBILE COOLING

CFX2



Dometic CFX2 28, CFX2 37, CFX2 45, CFX2 57

EN Compressor cooler
Operating manual..... 3

FR Glacière à compression
Manuel d'utilisation..... 22

ES Nevera de compresor
Instrucciones de uso..... 43

Copyright

© 2024 Dometic Group. The visual appearance of the contents of this manual is protected by copyright and design law. The underlying technical design and the products contained herein may be protected by design, patent or pending patent. The trademarks mentioned in this manual belong to Dometic Sweden AB. All rights are reserved.

English

1	Important notes.....	3
2	Explanation of symbols.....	3
3	Explanation of symbols on the device.....	4
4	Safety instructions.....	4
5	Scope of delivery.....	6
6	Accessories.....	6
7	Intended use.....	7
8	Technical description.....	7
9	Operation.....	10
10	Cleaning and maintenance.....	18
11	Troubleshooting.....	18
12	Warranty.....	19
13	Disposal.....	20
14	Technical data.....	20

1 Important notes

Please read these instructions carefully and follow all instructions, guidelines, and warnings included in this product manual in order to ensure that you install, use, and maintain the product properly at all times. These instructions **MUST** stay with this product.

By using the product, you hereby confirm that you have read all instructions, guidelines, and warnings carefully and that you understand and agree to abide by the terms and conditions as set forth herein. You agree to use this product only for the intended purpose and application and in accordance with the instructions, guidelines, and warnings as set forth in this product manual as well as in accordance with all applicable laws and regulations. A failure to read and follow the instructions and warnings set forth herein may result in an injury to yourself and others, damage to your product or damage to other property in the vicinity. This product manual, including the instructions, guidelines, and warnings, and related documentation, may be subject to changes and updates. For up-to-date product information, please visit documents.dometic.com.

2 Explanation of symbols



DANGER!

Indicates a hazardous situation that, if not avoided, will result in death or serious injury.



WARNING!

Indicates a hazardous situation that, if not avoided, could result in death or serious injury.



CAUTION!

Indicates a hazardous situation that, if not avoided, could result in minor or moderate injury.



NOTICE!

Indicates a situation that, if not avoided, can result in property damage.



NOTE Supplementary information for operating the product.

3 Explanation of symbols on the device



Warning! Risk of fire. Flammable materials.

4 Safety instructions



DANGER! Electrocutation hazard

- On boats: If the device is powered by the mains, ensure that the power supply has a residual current circuit breaker (RCCB) or a ground fault circuit interrupter (GFCI). Installation, especially in potentially damp areas, must be in accordance with all applicable installation regulations.
- Do not touch exposed cables with your bare hands. This applies especially when operating the device from the AC mains.



WARNING! Electrocutation hazard

- Do not operate the cooling device if it is visibly damaged.
- If this cooling device's power cable is damaged, it must be replaced to prevent safety hazards.
- This cooling device may only be repaired by qualified personnel. Improper repairs can lead to considerable hazards.
- Plug the device to sockets that ensure proper connection especially when the device needs to be earthed.



WARNING! Fire hazard

- When positioning the device, ensure the supply cord is not trapped or damaged.
- Do not locate multiple portable socket-outlets or portable power supplies at the rear of the device.
- The refrigerant in the refrigerant circuit is highly flammable and in the event of a leakage combustible gases could build up if the appliance is in a small room. In the event of any damage to the refrigerant circuit:
 - Keep naked flames and potential ignition sources away from the refrigerator.
 - Ventilate the room well.
 - Switch off the refrigerator.
- Keep the ventilation openings on the device housing or in installations free of obstructions.
- Do not use any mechanical objects or other media to speed up the defrosting process, unless they have been recommended by the manufacturer for this purpose.
- Do not open or damage the refrigerant circuit.
- Do not use electrical devices inside the cooling device unless they are recommended by the manufacturer for that purpose.

**WARNING! Health hazard**

- This device is not intended for use by persons (including children) with reduced physical, sensory or mental capabilities, or lack of experience and knowledge, unless they have been given supervision or instruction concerning use of the device by a person responsible for their safety.
- Children aged from 3 to 8 years are allowed to load and unload refrigerating devices.
- Children must be supervised to ensure that they do not play with the device.
- Cleaning and user maintenance shall not be made by children without supervision.

**WARNING! Explosion hazard**

Do not store any explosive substances such as spray cans with a flammable propellant in the cooling device.

**CAUTION! Electrocutation hazard**

- Before starting the cooling device, ensure that the power supply cable and the plug are dry.
- Disconnect the cooling device from the power supply before each cleaning and maintenance and after every use.

**CAUTION! Health hazard**

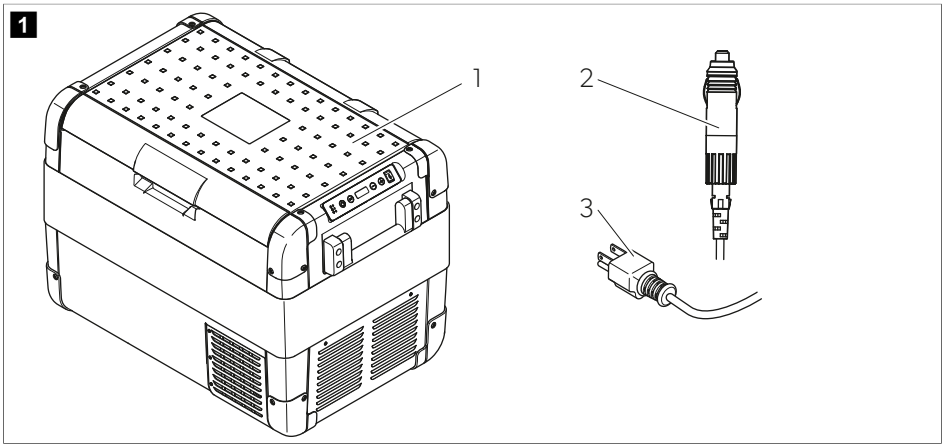
- To avoid contamination of food, respect the following instructions:
 - Check if the cooling capacity of the device is suitable for storing the food you wish to cool. Food may only be stored in its original packaging or in suitable containers.
 - Opening the cooling device for long periods can cause significant increase of the temperature in the compartments of the device.
 - Clean regularly surfaces that can come in contact with food and accessible drainage systems.
- If the device is left empty for long periods:
 - Switch off the device.
 - Defrost the device.
 - Clean and dry the device.
 - Leave the lid open to prevent mould developing within the device.

**NOTICE! Damage hazard**

- Check that the voltage specification on the type plate corresponds to that of the energy supply.
- Only connect the cooling device as follows:
 - With the DC connection cable to a DC power supply in the vehicle
 - Or with the AC connection cable to an AC power supply
- Never pull the plug out of the socket by the cable.
- If the cooling device is connected to a DC outlet: Disconnect the cooling device and other power consuming devices from the battery before connecting a quick charging device.
- If the cooling device is connected to a DC outlet: Disconnect the cooling device or switch it off when you turn off the engine. Otherwise you may discharge the battery.
- The cooling device is not suitable for transporting caustic materials or materials containing solvents.
- The insulation of the cooling device contains flammable cyclopentane and requires special disposal procedures. Deliver the cooling device at the end of its life-cycle to an appropriate recycling center.
- Do not place the cooling device near naked flames or other heat sources (campfires, heaters, direct sunlight, gas ovens etc.).
- Do not fill the inner container with ice or fluids.

- Never immerse the cooling device in water.
- Protect the cooling device and cables against heat and moisture.
- The cooling device shall not be exposed to rain.
- To enable the refrigerant to circulate properly, the cooling device may not tilted by more than 30°. Use a spirit level to ensure the cooling device is level.
- **Risk of overheating!** Ensure at all times that there is sufficient ventilation on all four sides of the cooling device. Keep the ventilation area free of any objects that could restrict the air flow to the cooling components. Do not place the cooling device in closed compartments or areas with none or minimal air flow.

5 Scope of delivery



Item	Quantity	Description
1	1	Cooler
2	1	Connection cable for DC connection
3	1	Connection cable for AC connection
-	1	Short operating manual

6 Accessories

Available as accessory (not included in scope of delivery):

Designation	Ref. no.	Model
Quick release fixing kit CFX-QFK	9105306218	CFX2 28 only
Mobile cooling app	-	suits all models

7 Intended use

The cooler is suitable for cooling and freezing food. The cooler is also suitable for use in vehicles. The cooler is designed to be operated from a DC power supply socket of a vehicle or from an AC power supply.

The cooler is also suitable for camping use.

The cooler is intended to be used in household and similar applications such as

- Staff kitchen areas in shops, offices and other working environments
- Farm houses
- Clients in hotels, motels and other residential type environments
- Bed and breakfast type environments
- Catering and similar non-retail applications

The cooler is **not** suitable for:

- Quick freezing food
- Storage of corrosive, caustic, or solvent-containing substances
- Use as a built-in appliance

This cooler is only suitable for the intended purpose and application in accordance with these instructions.

This product is only suitable for the intended purpose and application in accordance with these instructions.

This manual provides information that is necessary for proper installation and/or operation of the product. Poor installation and/or improper operating or maintenance will result in unsatisfactory performance and a possible failure.

The manufacturer accepts no liability for any injury or damage to the product resulting from:

- Incorrect installation, assembly or connection, including excess voltage
- Incorrect maintenance or use of spare parts other than original spare parts provided by the manufacturer
- Alterations to the product without express permission from the manufacturer
- Use for purposes other than those described in this manual

Dometic reserves the right to change product appearance and product specifications.

8 Technical description

The cooler can cool products and freeze them. A low maintenance refrigerant circuit with compressor provides the cooling. The generous insulation and powerful compressor ensure efficient and fast cooling.

The cooler is portable.

The cooler can withstand a short-term inclination of 30 °, for example on boats.

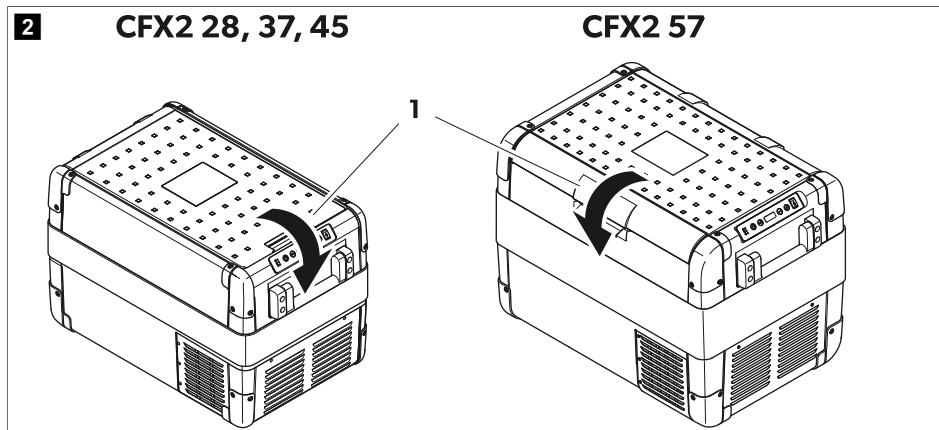
Scope of functions

- Power supply with priority circuit for connecting to the AC power supply
- 3-level battery monitor to protect the vehicle battery
- Display with temperature gauge in °C and °F
- Temperature setting with 2 buttons in steps of 1 °C/1 °F
- Integrated Bluetooth and WLAN function for control the cooler via the mobile cooling app

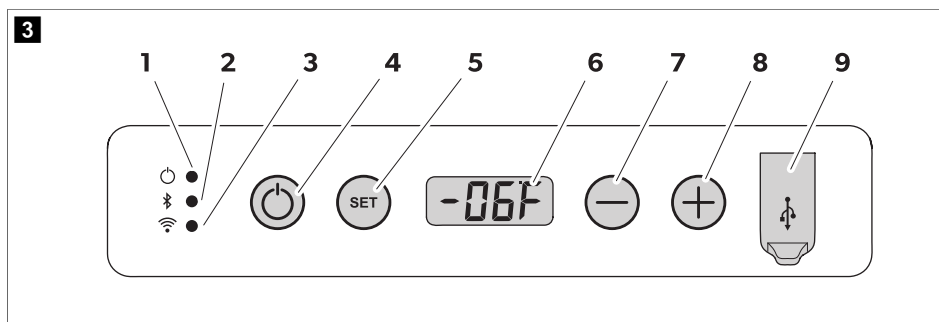
- Foldable carrying handles
- USB port for a power supply
- Removable wire basket

Operating and display elements

Latch (Fig. **2** on page 8, **1**) for lid:



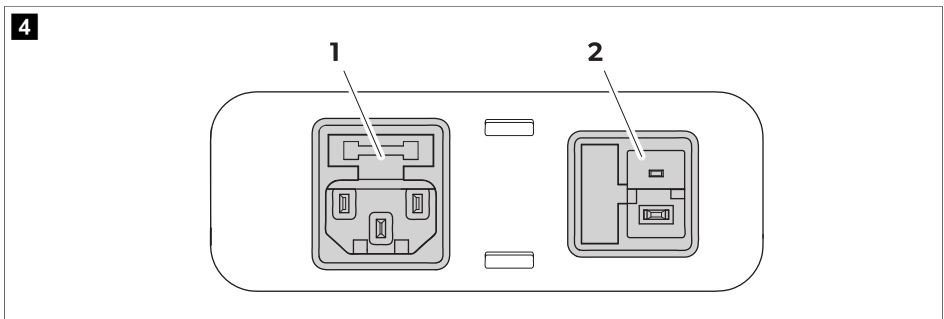
Control panel



Item	Description	Explanation
1	Power	Status indication
		The LED lights up white: The compressor starts running. The LED lights up orange: The compressor stops running.
2	Bluetooth	The LED is switched off: The Bluetooth of the cooler is switched off.
		The LED flashes slow white: The Bluetooth of the cooler is switched on. The cooler is not paired with a device.
		The LED flashes fast white: The cooler pairs with a device via Bluetooth.

Item	Description	Explanation
		The LED lights up white: The cooler is paired with a device via Bluetooth.
3	WLAN	The LED is switched off: The WLAN of the cooler is switched off.
		The LED flashes white: The WLAN of the cooler is switched on. The cooler is not connected to a device.
		The LED lights up white: The cooler is paired with a device via WLAN.
4	ON/OFF	Switches the cooler on or off.
5	SET	<p>Selects the input mode:</p> <ul style="list-style-type: none"> • Temperature setting • Celsius or Fahrenheit display • Set battery monitor • Set brightness of display • Set the display mode • Set Bluetooth • Set WLAN
6		Display
7	-	Sets the temperature, the temperature unit, the battery monitor, the brightness of the display, the mode, the Bluetooth, and the WLAN.
8	+	
9		USB port

Connection sockets



Item	Description
1	Connection socket AC voltage supply
2	Connection socket DC voltage supply

9 Operation

Before initial use

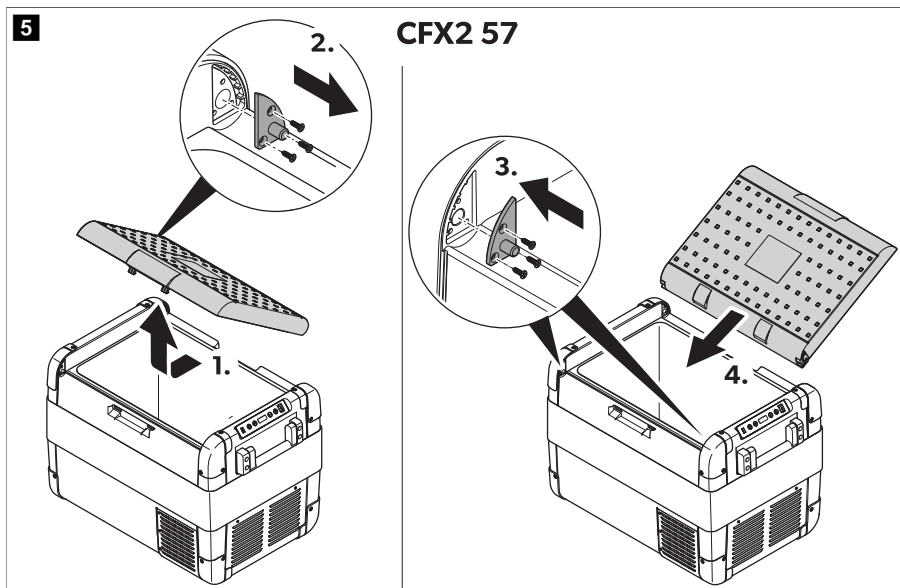


NOTE Before starting the cooler for the first time, clean the inside and outside of the cooler with a damp cloth for hygienic reasons (see *Cleaning and maintenance* on page 18).

Reversing the lid opening direction (CFX2 57 only)

The lid hinges can be moved to the opposite side.

1. Open and remove the lid (Fig. 5 on page 10).



2. Remove the 3 screws for each hinge (Fig. 5 on page 10) and take them off.
3. Re-fit the hinges in the new positions.
4. Insert the lid into the new hinge positions (Fig. 5 on page 10).

Saving energy

- > Choose a well ventilated location which is protected from direct sunlight.
- > Allow warm food to cool down first before placing it in the cooling device to keep cool.
- > Do not open the cooling device more often than necessary.
- > Do not leave the cooling device open for longer than necessary.
- > If the cooling device has a basket: For optimal energy consumption, position the basket according to its position on delivery.
- > On a regular basis, ensure that the lid seal still fits properly.

Connecting the cooler

Connecting to a battery



NOTICE! Damage hazard

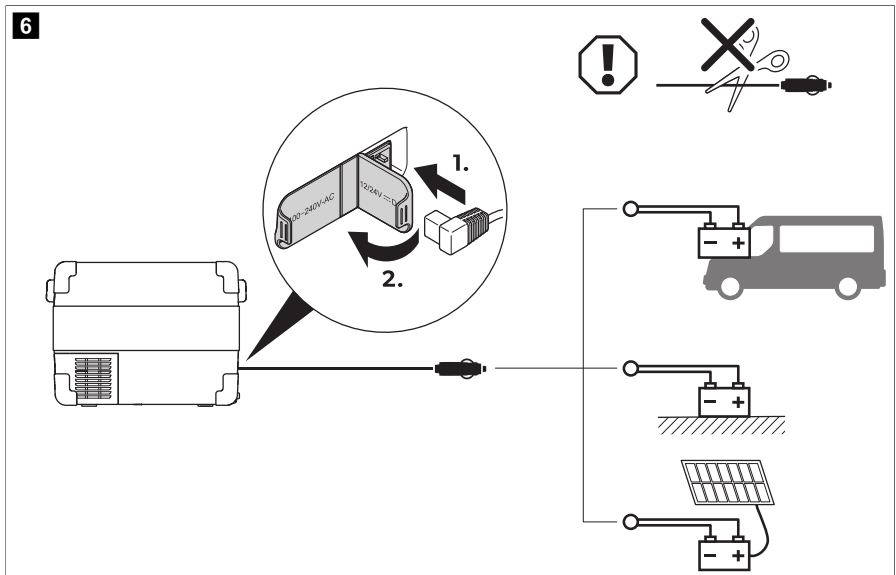
- For protection of the device the DC cable supplied includes a fuse inside the plug. Do **not** remove the fused DC plug. Only use the DC cable supplied.
- Disconnect the cooler and other consumer units from the battery before connecting the battery to a quick charging device. Overvoltage can damage the electronics of devices connected to the battery.



NOTE The cooler is equipped with an electronic system to prevent polarity reversal. The electronic system protects the cooler against short-circuiting when connected to a battery.

The cooler can be operated with 12 V $\overline{\text{=}}$ or 24 V $\overline{\text{=}}$.

- > Connect the cooler to a battery using the DC connection cable as shown.



Connecting to an AC power supply



DANGER! Electrocutation hazard

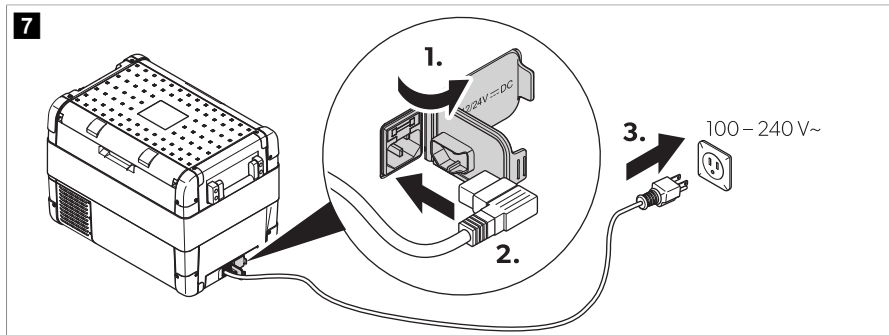
- Never handle plugs and switches with wet hands or if you are standing on a wet surface.
- If the cooler is operated on board a boat from an AC power supply, a residual current circuit breaker must be installed between the AC power supply and the cooler. Seek advice from a trained technician.



NOTE

The cooler is equipped with an integrated multi-voltage power supply with priority circuit for connecting to an AC voltage source. The priority circuit automatically switches the cooler to AC operation, if the cooler is connected to an AC power supply, even if the DC connection cable is still attached.

- > Connect the cooler to a AC power supply using the AC connection cable as shown.



Using the cooler



NOTICE! Damage hazard

Place the cooler with the base facing downwards.

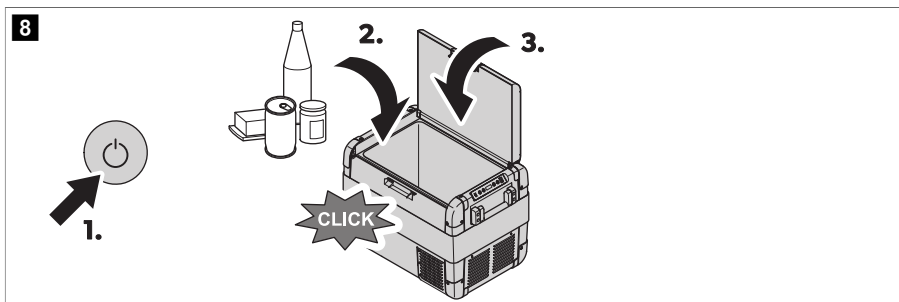
1. Place the cooler on a firm foundation.
2. Connect the cooler (see chapter Connecting the cooler on page 11).



WARNING! Health hazard

Ensure that only the items that are to be cooled at the selected temperature are placed in the cooler.

3. Press the “ON/OFF” button for 1 ... 2 s.

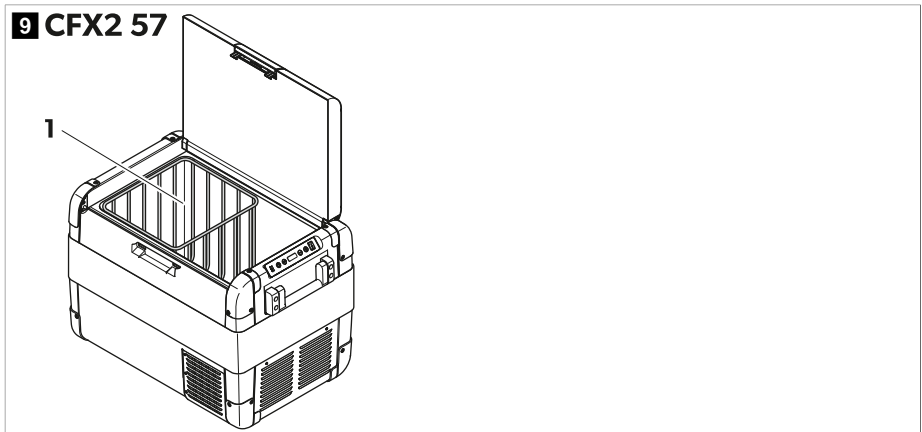


- ✓ The power LED lights up. The display switches on and displays the current temperature.



NOTE Displayed temperature

CFX2 57: The temperature displayed is the temperature of the large interior compartment (Fig. 9 on page 13 1).



The cooler starts cooling the interior.

Latching the cooler lid

1. Close the lid.
2. Press the latch down until it audibly clicks into place.

Avoiding food waste

To avoid food waste, note the following

- > Keep temperature fluctuation as low as possible. Only open the cooling device as often and for as long as necessary. Store the foodstuff in such a way that the air can still circulate well.
- > Adjust the temperature to the quantity and type of the foodstuff.
- > Foodstuff can easily absorb or release odor or taste. Always store foodstuff covered or in closed containers/bottles.

Setting the temperature

1. Press the **SET** button 1 time.
 2. Use the **+** and **-** buttons to select the cooling temperature.
- ✓ The selected temperature and **°C** appears in the display for a few seconds. The display flashes several times. Afterward the current temperature is displayed again.

Selecting the temperature unit

1. Press the **SET** button 2 times.
 2. Press the **+** or **-** button to select the temperature unit.
- ✓ The selected temperature unit and **°F** are displayed on the display for a few seconds. The display flashes several times before displaying the current temperature.

Using the battery monitor



NOTICE! Damage hazard

When the battery monitor switches off, the battery is no longer fully charged. Avoid repeated starting or the operation of power consumers without longer charging phases. Ensure that the battery is recharged.

The cooler is equipped with a multi-level battery monitor that protects the vehicle battery against excessive discharging when the cooler is connected to the on-board DC supply.

If the cooler is operated with the vehicle ignition switched off, the cooler switches off automatically as soon as the supply voltage falls below a certain value. The cooler switches on again as soon as the battery is recharged to the restart voltage.

In the "HIGH" mode, the battery monitor responds faster than at the "LOW" and "MED" modes.

Battery monitor mode	LOW	MED	HIGH
Restart voltage at 12 V	11.4 V	12.2 V	12.6 V
Switch-off voltage at 12 V	10.1 V	11.2 V	11.8 V
Restart voltage at 24 V	23 V	25.3 V	26.4 V
Switch-off voltage at 24 V	21.5 V	24.1 V	24.6 V

Select the battery monitor mode as follows:

1. Switch on the cooler.
 2. Press the **SET** button 3 times.
 3. Use the **+** or **-** buttons to select the battery monitor mode.
- ✓ The display changes as follows: **[P L0]** (LOW), **[P M0]** (MED), **[P H1]** (HIGH)

The selected mode appears in the display for a few seconds. The display flashes several times before returning to the current temperature.



NOTE When the cooler is supplied by the starting battery, select the battery monitor mode "HIGH". If the cooler is connected to a house battery, select the battery monitor mode "LOW".

Setting the display brightness

The display brightness can be dimmed for low ambient light conditions.

1. Switch on the cooler.
 2. Press the **SET** button 4 times.
 3. Use the **+** or **-** buttons to set the brightness of the display.
- ✓ The display changes as follows: **[d L0]** (low), **[d M0]** (medium), **[d H1]** (high)

The display displays the set mode for a few seconds. The display flashes a few times before returning to the current brightness.



NOTE If a fault occurs, the brightness automatically switches to **[d H1]** (default). Once the fault has been rectified, the set brightness is reactivated.

Using the USB port

The USB port allows small devices such as cell phones and mp3 players to be charged.

- > Connect the device to be charged to the USB port of the cooler using a USB cable (not included).



NOTE Ensure that the connected device is compatible with the operation of 5 V / 2 A.

Setting the display mode

1. Press the **SET** button 5 times.
 2. Use the **+** or **-** buttons to set the sleep mode.
- ✓ The display changes as follows: **5 0F** (OFF), **5 0n** (ON), **5 Lo** (Low)

S 0f (OFF): The sleep mode is deactivated. The display is constantly switched on.

S 0n (ON): The sleep mode is activated. If the cooler is not used for several minutes, the display only displays a dot.

S Lo (Low): The sleep sub-mode is activated. If the cooler is not used for several minutes, the display switches to the lowest display brightness.



NOTE If the display is in the sleep mode or sleep-sub mode, press a button on the cooler to briefly exit the corresponding mode.

Using the mobile cooling app

The cooler can be monitored and controlled via Bluetooth or WLAN using an app that can be installed on a compatible device.

1. Download and install the mobile cooling app.



Get the app from qr.dometic.com/beiv4R.

2. Press the **SET** button as follows:
 - 6 times to open the Bluetooth settings.
 - 7 times to open the WLAN settings.
3. Use the **+** or **-** buttons to set the Bluetooth or WLAN.



NOTE If the cooler is paired with a compatible device via Bluetooth, the pairing mode must be set.

- ✓ The display changes as follows when setting the Bluetooth: **bL 0F** (OFF), **bL 0n** (ON), **bL Pn** (Pairing)



NOTE If **bL 0F** is displayed, the display does not change when the **-** button is pressed. If **bL Pn** is displayed, the display does not change when the **+** button is pressed.

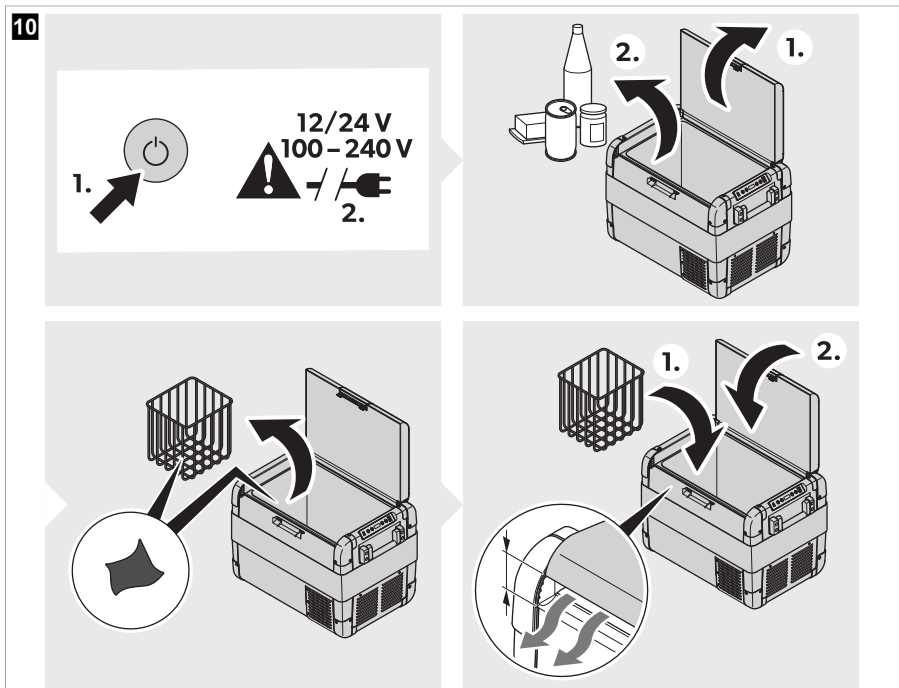
The Bluetooth LED flashes white and the display displays **bL** while the pairing to Bluetooth is being established.

The display changes as follows when setting the WLAN: (F,OFF) (OFF), (F,ON) (ON)

4. Follow the instructions in the mobile cooling app.
- ✓ The Bluetooth or WLAN LED lights up when the cooler is connected.

Switching the cooler off

1. Empty the cooler.



2. Press the "ON/OFF" button.
3. Pull out the connection cable.
4. If the cooler is not used for a longer period of time, leave the lid open so that no odors can build up.

Defrosting the cooler

Humidity can form frost in the interior of the cooler or on the evaporator. This reduces the cooling capacity.



NOTICE! Damage hazard

Never use hard or pointed tools to remove ice or to loosen objects which have frozen in place.

To defrost the cooler, proceed as follows:

1. Remove the contents of the cooler.
2. If necessary, place the contents in another cooler to keep them cool.

3. Switch off the cooler.
4. Leave the lid open.
5. Wipe off the defrosted water.

Replacing the AC fuse



DANGER! Electrocutation hazard

Disconnect the power supply and the connection cable before replacing the AC fuse.

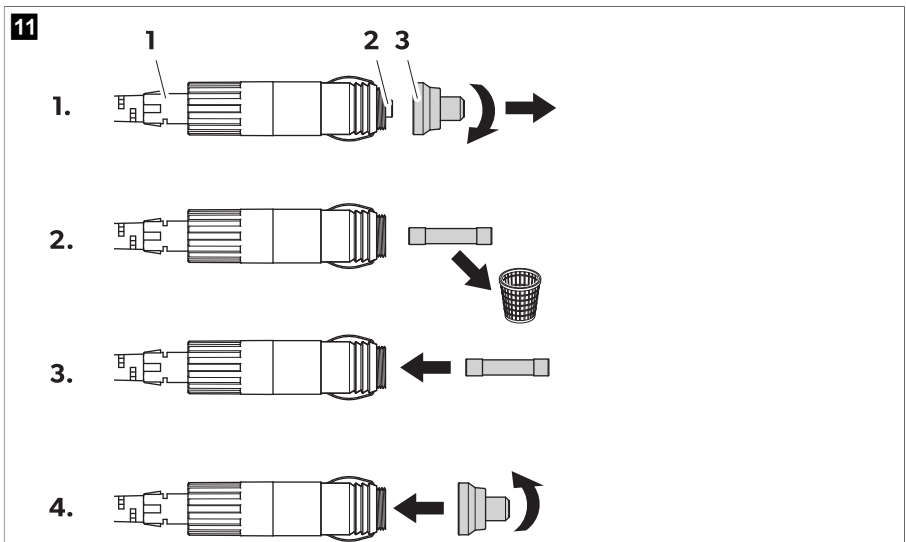
1. Disconnect the power supply to the cooler.
2. Pull off the connection cable.
3. Pry out the fuse insert (Fig. 4 on page 9 2) with a screwdriver.
4. Replace the defective glass fuse with a new one that has the same type and rating (4 A, 250 V).
5. Press the fuse insert back into the housing.
6. Reconnect the power supply to the device.

Replacing the DC plug fuse



NOTE There is an additional DC fuse inside the device (Automotive standard blade fuse, 10 A). This fuse can only be replaced by an authorized repair center.

1. Unscrew the contact pin housing (Fig. 11 on page 17 3) from the plug (Fig. 11 on page 17 1).



2. Replace the defective fuse (Fig. 11 on page 17 2) with a new fuse of the same type and rating (3AG, Fast Acting, 10 A).

- Re-assemble the plug in reverse order.

Replacing the light PCB



NOTICE! Damage hazard

The light PCB may only be replaced by the manufacturer, a service agent service or a similarly qualified person in order to avoid hazard.

10 Cleaning and maintenance



CAUTION! Electrocutation hazard

Ensure that the cooling device is disconnected from the power supply before any cleaning or maintenance work.



NOTICE! Damage hazard

- Never clean the cooling device under running water or in dish water.
 - Do not use abrasive cleaning agents or hard objects during cleaning.
- > Occasionally clean the device interior and exterior with a damp cloth.
- > Ensure that the air inlet and outlet vents on the cooling device are free of any dust and dirt, so that heat can be released and the cooling device is not damaged.

11 Troubleshooting

Problem	Possible cause	Suggested remedy
The cooler does not operate. The power LED does not light up.	No voltage is detected at the DC socket.	> Activate the ignition of the vehicle.
	No voltage is detected at the AC socket.	> Use another plug socket.
	The AC fuse is defective.	> Replace the AC fuse, see Replacing the AC fuse on page 17.
	The integrated mains adapter is defective.	> Contact an authorized service agent.
The power LED lights up orange, the error code E 01 is displayed, and the cooler is not cooling even though the plug is plugged in.	The battery monitor is set too high.	<ol style="list-style-type: none"> Set the battery monitor to a lower mode (see Using the battery monitor on page 14). Test the starting battery. If necessary, charge the starting battery. Follow the manufacturer's instructions.
	The battery monitor is set too low.	<ol style="list-style-type: none"> Set the battery monitor to a higher mode (see Using the battery monitor on page 14). Test the starting battery.

Problem	Possible cause	Suggested remedy
		3. If necessary, charge the starting battery. Follow the manufacturer's instructions.
When operating the cooler from the DC outlet: The ignition is on and the cooler does not operate. The power LED does not light up.	The DC plug is not connected correctly.	> Reconnect the DC plug.
	The DC socket is dirty. This leads to poor electrical contact.	> Clean the DC outlet. Follow the manufacturer's instructions.
	The DC plug fuse has blown.	> Replace the DC plug fuse, see chapter Replacing the DC plug fuse on page 17.
	The DC fuse inside the cooler has blown.	> Contact an authorized service agent.
	The vehicle DC outlet fuse has blown.	> Replace the vehicle DC outlet fuse. Follow the manufacturer's instructions.
The display displays an error code and the cooler does not cool (see Error codes on page 19).	The cooler has switched off due to an internal fault.	> Contact an authorized service agent.

Error codes



NOTE If one of the error codes **E 02** to **E 07** occurs, contact an authorized service agent.

Error code	Description
E 01	Low voltage/overvoltage
E 02	Fan overcurrent
E 03	Compressor start failed
E 04	Compressor speed low
E 05	Controller overheated
E 06	NTC open circuit
E 07	NTC short circuit

12 Warranty

LIMITED WARRANTY AVAILABLE AT DOMETIC.COM/WARRANTY.

IF YOU HAVE QUESTIONS OR TO OBTAIN A COPY OF THE LIMITED WARRANTY FREE OF CHARGE, CONTACT THE DOMETIC WARRANTY DEPARTMENT:

DOMETIC CORPORATION

CUSTOMER SUPPORT CENTER
 5155 VERDANT DRIVE
 ELKHART, INDIANA 46516
 1-800-544-4881 OPT 1

All other regions

For repair and warranty processing, please include the following documents when you send in the device:

- A copy of the receipt with purchasing date
- A reason for the claim or description of the fault

Note that self-repair or nonprofessional repair can have safety consequences and might void the warranty.

13 Disposal



WARNING! Risk of child entrapment

Before disposing of your old cooling device, dismantle the lid. Leave the baskets in place so that children may not easily climb inside.



Place the packaging material in the appropriate recycling waste bins, wherever possible. Consult a local recycling center or specialist dealer for details about how to dispose of the product in accordance with the applicable disposal regulations.



Recycling products with batteries, rechargeable batteries, and light sources: Remove any batteries, rechargeable batteries, and light sources before recycling the product. Return defective or used batteries to your retailer or dispose of them at collection points. Do not dispose of any batteries, rechargeable batteries, and light sources with general household waste. If you wish to finally dispose of the product, ask your local recycling center or specialist dealer for details about how to do this in accordance with the applicable disposal regulations. The product can be disposed free of charge.

14 Technical data



NOTE If the ambient temperature is above 32 °C (89.6 °F), the minimum temperature cannot be attained.

This product contains fluorinated greenhouse gases.

The cooling unit is hermetically sealed.

	CFX2 28	CFX2 37	CFX2 45	CFX2 57
Rated input		50 ... 60 Hz		
		100 ... 240 V~		

	CFX2 28	CFX2 37	CFX2 45	CFX2 57
Rated current	12 V: 8.6 A	12 V: 8.7 A	12 V: 8.8 A	12 V: 9 A
	24 V: 3.8 A	24 V: 3.85 A	24 V: 3.9 A	24 V: 4 A
	100 V: 1.6 A	100 V: 1.63 A	100 V: 1.65 A	100 V: 1.7 A
	240 V: 0.77 A	240 V: 0.78 A	240 V: 0.79 A	240 V: 0.8 A
Cooling capacity	-22 °C (-7.6 °F) ... 20 °C (68 °F)			
Ambient temperature	16 °C (60.8 °F) ... 43 °C (109.4 °F)			
Climate class	N or T			
USB	5 V 2 A			
Refrigerant	R1234yf			
Refrigerant quantity	28 g (1.0 oz)	37 g (1.3 oz)	45 g (1.6 oz)	57 g (2.0 oz)
Dimensions (W × H × D, including handles)	345 mm (13.58 in) × 427 mm (16.81 in) × 375 mm (14.76 in)	401 mm (15.79 in) × 428 mm (16.85 in) × 430 mm (16.93 in)	401 mm (15.79 in) × 493 mm (19.41 in) × 430 mm (16.93 in)	458 mm (18.03 in) × 503 mm (19.80 in) × 485 mm (19.09 in)
Volume	28 L (7.40 gal)	37 L (9.78 gal)	45 L (11.89 gal)	57 L (15.06 gal)
Weight	13.3 kg (29.3 lb)	15.6 kg (34.4 lb)	16.6 kg (36.6 lb)	18.3 kg (40.4 lb)

Français

1	Remarques importantes.....	22
2	Signification des symboles.....	22
3	Description des symboles de l'appareil.....	23
4	Consignes de sécurité.....	23
5	Contenu de la livraison.....	25
6	Accessoires.....	26
7	Usage conforme.....	26
8	Description technique.....	27
9	Utilisation.....	29
10	Nettoyage et entretien.....	38
11	Dépannage.....	39
12	Garantie.....	40
13	Mise au rebut.....	41
14	Caractéristiques techniques.....	41

1 Remarques importantes

Veillez lire et suivre attentivement l'ensemble des instructions, directives et avertissements figurant dans ce manuel afin d'installer, d'utiliser et d'entretenir le produit correctement à tout moment. Ces instructions DOIVENT rester avec le produit.

En utilisant ce produit, vous confirmez expressément avoir lu attentivement l'ensemble des instructions, directives et avertissements et que vous comprenez et acceptez de respecter les modalités et conditions énoncées dans le présent document. Vous acceptez d'utiliser ce produit uniquement pour l'usage et l'application prévus et conformément aux instructions, directives et avertissements figurant dans le présent manuel, ainsi qu'à toutes les lois et réglementations applicables. En cas de non-respect des instructions et avertissements figurant dans ce manuel, vous risquez de vous blesser ou de blesser d'autres personnes, d'endommager votre produit ou d'endommager d'autres biens à proximité. Le présent manuel produit, y compris les instructions, directives et avertissements, ainsi que la documentation associée peuvent faire l'objet de modifications et de mises à jour. Pour obtenir des informations actualisées sur le produit, consulter le site documents.domestic.com.

2 Signification des symboles



DANGER !

indique une situation dangereuse qui, si elle n'est pas évitée, entraînera des blessures graves, voire mortelles.



AVERTISSEMENT !

indique une situation dangereuse qui, si elle n'est pas évitée, est susceptible d'entraîner des blessures graves, voire mortelles.



ATTENTION !

indique une situation dangereuse qui, si elle n'est pas évitée, est susceptible d'entraîner des blessures légères ou de gravité modérée.



AVIS !

indique une situation dangereuse qui, si elle n'est pas évitée, peut entraîner des dommages matériels.



REMARQUE Informations complémentaires sur l'utilisation de ce produit.

3 Description des symboles de l'appareil



Attention ! Risque d'incendie. Matériaux inflammables.

4 Consignes de sécurité



DANGER ! Risque d'électrocution

- Sur les bateaux : Si l'appareil est alimenté sur secteur, assurez-vous que l'alimentation dispose d'un disjoncteur différentiel ou d'un disjoncteur de fuite à la terre. L'installation, en particulier dans les zones potentiellement humides, doit être conforme à toutes les réglementations applicables.
- Ne touchez pas les câbles dénudés à mains nues. Cela est surtout valable en cas de fonctionnement sur secteur.



AVERTISSEMENT ! Risque d'électrocution

- Si le dispositif de réfrigération présente des dégâts visibles, ne le mettez pas en service.
- Si le câble d'alimentation de ce dispositif de réfrigération est endommagé, il doit être remplacé pour éviter tout danger.
- Seul un personnel qualifié est habilité à effectuer des réparations sur le dispositif de réfrigération. Des réparations inadéquates peuvent engendrer des risques considérables.
- Branchez l'appareil sur des prises permettant un raccordement approprié, en particulier lorsque l'appareil doit être relié à la terre.



AVERTISSEMENT ! Risque d'incendie

- Veillez à ne pas coincer ni endommager le cordon d'alimentation lors de la mise en place de l'appareil.
- Ne placez pas de multiprises portables ou de blocs d'alimentation portables à l'arrière de l'appareil.
- Le fluide frigorigène du circuit frigorifique s'enflamme facilement. En cas de fuite, des gaz combustibles peuvent s'accumuler si l'appareil se trouve dans une petite pièce. En cas d'endommagement du circuit frigorifique :
 - Veillez à tenir le réfrigérateur à l'écart des flammes nues et des sources d'ignition potentielles.
 - Aérez bien la pièce.
 - Éteignez le réfrigérateur.
- Dégagez les ouvertures d'aération sur le bâti de l'appareil ou dans les éléments encastrés.
- N'exploitez aucun objet mécanique ou tout autre moyen pour accélérer le processus de dégivrage, sauf si le fabricant le recommande.
- N'ouvrez ou n'endommagez en aucun cas le circuit frigorifique.
- N'exploitez pas d'appareils électriques dans le dispositif de réfrigération, sauf s'ils sont recommandés par le fabricant pour cet usage.

**AVERTISSEMENT ! Risque pour la santé**

- Cet appareil ne doit pas être utilisé par des personnes (y compris les enfants) souffrant de déficiences physiques, sensorielles ou mentales ou manquant d'expérience ou de connaissances, sauf si une personne garante de leur sécurité les surveille ou leur fournit toutes les instructions adéquates concernant son utilisation.
- Les enfants âgés de 3 à 8 ans peuvent charger et décharger les appareils de réfrigération.
- Les enfants doivent être surveillés pour s'assurer qu'ils ne jouent pas avec l'appareil.
- Le nettoyage et l'entretien ne doivent pas être effectués par des enfants sans surveillance.

**AVERTISSEMENT ! Risque d'explosion**

Ne stockez aucune substance explosive comme p. ex. des aérosols contenant un agent propulseur inflammable dans le dispositif de réfrigération.

**ATTENTION ! Risque d'électrocution**

- Avant de mettre le dispositif de réfrigération en service, assurez-vous que le câble d'alimentation électrique et le connecteur sont secs.
- Débranchez le dispositif de réfrigération de l'alimentation électrique avant chaque nettoyage, entretien et après chaque utilisation.

**ATTENTION ! Risque pour la santé**

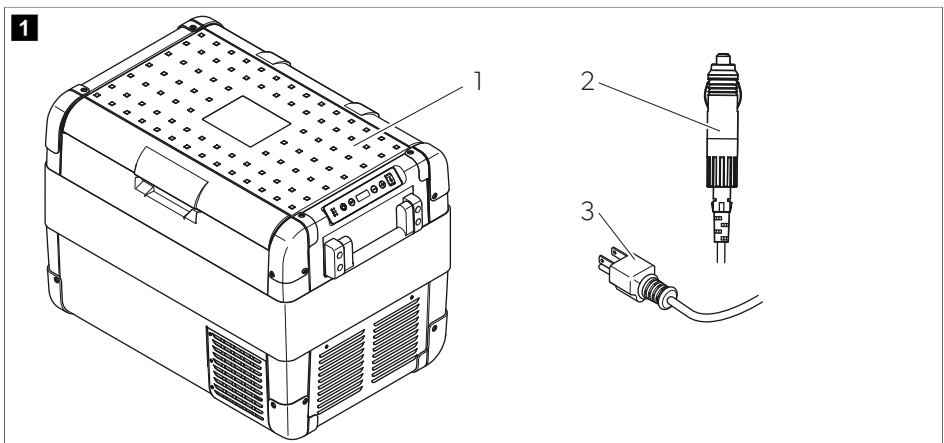
- Pour éviter la contamination des aliments, respectez les instructions suivantes :
Vérifiez si la puissance frigorifique de l'appareil est adaptée au stockage des aliments que vous souhaitez conserver au frais.
Les aliments doivent être conservés dans leur emballage d'origine ou dans des récipients appropriés.
Une ouverture prolongée du dispositif de réfrigération peut entraîner une augmentation significative de la température dans les compartiments de l'appareil.
Nettoyez régulièrement les surfaces qui entrent en contact avec les aliments, ainsi que les systèmes de drainage accessibles.
- Si l'appareil est laissé vide pendant une longue période :
Éteignez l'appareil.
Dégivrez l'appareil.
Nettoyez et séchez l'appareil.
Laissez le couvercle ouvert pour éviter que des moisissures ne se développent dans l'appareil.

**AVIS ! Risque d'endommagement**

- Vérifiez que la tension indiquée sur la plaque signalétique correspond à l'alimentation électrique dont vous disposez.
- Raccordez le dispositif de réfrigération uniquement comme indiqué ci-dessous :
Raccordez le câble de raccordement au courant continu à l'alimentation en courant continu du véhicule
ou avec le câble de raccordement CA à une alimentation CA
- Ne tirez jamais sur le câble de raccordement pour sortir la fiche de la prise.
- Si le dispositif de réfrigération est raccordé à une prise de courant continu : débranchez de la batterie du véhicule le dispositif de réfrigération et les autres consommateurs d'énergie avant de raccorder un chargeur rapide.

- Si le dispositif de réfrigération est raccordé à une prise de courant continu : débranchez ou éteignez le dispositif de réfrigération lorsque vous éteignez le moteur. Dans le cas contraire, il se pourrait que la batterie se décharge.
- Le dispositif de réfrigération n'est pas adapté pour le transport des matières caustiques ou contenant des solvants.
- L'isolation du dispositif de réfrigération contient des gaz inflammables et nécessite des procédures d'élimination spéciales. À la fin de son cycle de vie, remettez le dispositif de réfrigération à un centre de recyclage approprié.
- Ne placez pas le dispositif de réfrigération près de flammes nues ou d'autres sources de chaleur (feux de camp, chauffage, lumière directe du soleil, fours à gaz, etc.).
- Ne remplissez pas le bac intérieur de substances liquides ou de glace.
- Ne plongez jamais le dispositif de réfrigération dans l'eau.
- Tenez le dispositif de réfrigération et les câbles à l'abri de la chaleur et de l'humidité.
- Le dispositif de réfrigération ne doit pas être exposé à la pluie.
- **Risque de surchauffe !** En toutes circonstances, maintenez une zone de ventilation suffisante des quatre côtés du dispositif de réfrigération. Cette zone de ventilation doit rester libre de tout objet susceptible de réduire le flux d'air acheminé vers les composants réfrigérants. Ne placez pas le dispositif de réfrigération dans des zones ou à l'intérieur de boîtiers clos dans lesquels l'air ne peut circuler pas ou trop peu.

5 Contenu de la livraison



Élément	Quantité	Description
1	1	Glacière
2	1	Câble de raccordement au courant continu
3	1	Câble de raccordement au courant alternatif

Élément	Quantité	Description
-	1	Mode d'emploi abrégé

6 Accessoires

Disponibles en accessoire (non compris dans les pièces fournies) :

Désignation	N° d'article	Modèle
Kit de fixation rapide CFX-QFK	9105306218	CFX2 28 uniquement
Application Mobile Cooling	-	convient à tous les modèles

7 Usage conforme

La glacière est conçue pour la réfrigération et la congélation d'aliments. La glacière peut également être utilisée dans des véhicules. La glacière est conçue pour être raccordée à la prise d'alimentation CC d'un véhicule ou à une alimentation CA.

La glacière est également conçue pour une utilisation en camping.

La glacière est destinée à être utilisée dans des applications domestiques et similaires, telles que

- les réfectoires destinés au personnel des magasins, des bureaux et autres environnements de travail
- les maisons d'hôtes
- les hôtels, motels et autres environnements de type résidentiel
- les gîtes et environnements similaires
- la restauration et les applications similaires non liées à la vente au détail

La glacière n'est **pas** adaptée à ce qui suit :

- La surgélation d'aliments
- Le stockage de substances corrosives, caustiques ou contenant des solvants
- Utilisation comme appareil encastré

Cette glacière convient uniquement à l'usage et à l'application prévus, conformément au présent manuel d'instructions.

Ce produit convient uniquement à l'usage et à l'application prévus, conformément au présent manuel d'instructions.

Ce manuel fournit les informations nécessaires à l'installation et/ou à l'utilisation correcte du produit. Une installation, une utilisation ou un entretien inappropriés entraînera des performances insatisfaisantes et une éventuelle défaillance.

Le fabricant décline toute responsabilité en cas de blessure ou de dommage résultant :

- d'une installation, d'un montage ou d'un raccordement incorrect, y compris d'une surtension
- d'un entretien inadapté ou de l'utilisation de pièces de rechange autres que les pièces de rechange d'origine fournies par le fabricant
- de modifications apportées au produit sans autorisation explicite du fabricant

- d'usages différents de ceux décrits dans ce manuel

Dometic se réserve le droit de modifier l'apparence et les spécifications produit.

8 Description technique

La glacière peut refroidir les produits et les congeler. La réfrigération est assurée par un circuit de refroidissement à compresseur qui nécessite peu d'entretien. L'isolation forte et le puissant compresseur assurent un refroidissement particulièrement rapide.

La glacière convient pour une utilisation mobile.

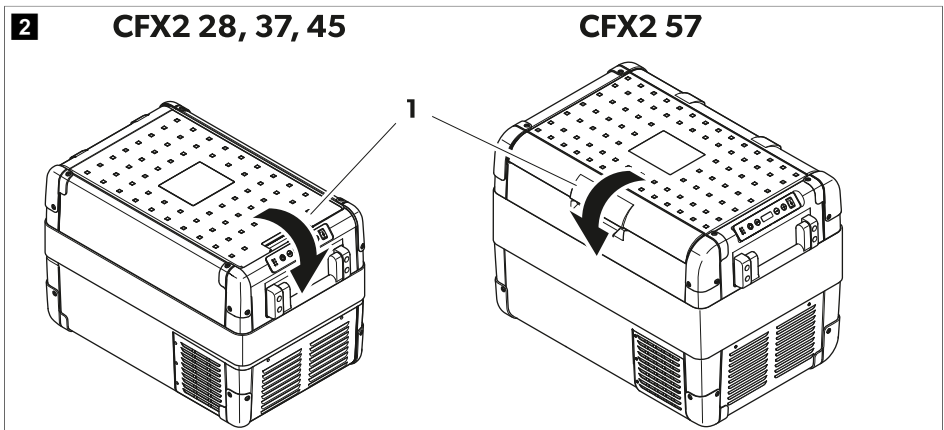
La glacière supporte pendant une courte durée d'être inclinée à 30 °, par exemple sur les bateaux.

Étendue des fonctions

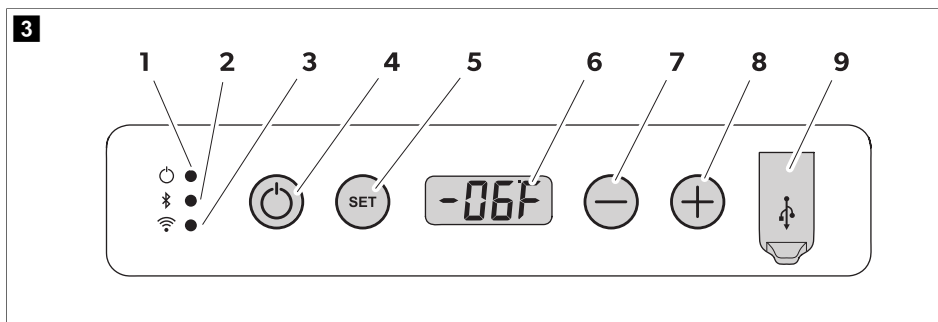
- Bloc d'alimentation avec raccordement prioritaire pour raccordement sur une alimentation électrique CA
- Protecteur de batterie à trois niveaux pour protéger la batterie du véhicule
- Écran avec affichage de la température en °C et °F
- Réglage de la température à deux boutons par incréments de 1 °C/1 °F
- Fonctions Bluetooth et WLAN intégrées pour contrôler la glacière via l'application Mobile Cooling
- Poignées rabattables
- Port USB pour l'alimentation électrique
- Élément panier amovible

Éléments de commande et d'affichage

Loquet (fig. **2** à la page 27, **1**) pour couvercle :

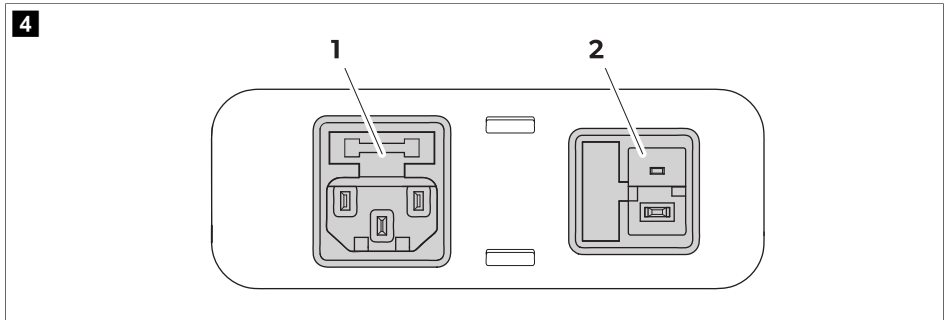


Panneau de commande



Élé- ment	Description	Explication
1	Puissance	Indication d'état
		La LED s'allume en blanc : Le compresseur se met en route. La LED s'allume en orange : Le compresseur s'arrête.
2	Bluetooth	La LED s'éteint : Le Bluetooth de la glacière est éteint.
		La LED clignote lentement en blanc : Le Bluetooth de la glacière est allumé. La glacière n'est pas couplée à un appareil.
		La LED clignote rapidement en blanc : La glacière se connecte à un appareil via Bluetooth.
		La LED s'allume en blanc : La glacière est couplée à un appareil via Bluetooth.
3	WLAN	La LED s'éteint : Le WLAN de la glacière est éteint.
		La LED clignote en blanc : Le WLAN de la glacière est allumé. La glacière n'est pas connectée à un appareil.
		La LED s'allume en blanc : La glacière est couplée à un appareil via WLAN.
4	ON/OFF	Allume ou éteint la glacière.
5	SET	Sélectionne le mode de saisie : <ul style="list-style-type: none"> Réglage de la température Affichage en degrés Celsius ou Fahrenheit Réglage du protecteur de batterie Réglage de la luminosité de l'écran Réglage du mode d'affichage Réglage du Bluetooth Réglage du WLAN
6		Écran
7	-	Définit la température, l'unité de température, le protecteur de batterie, la luminosité de l'écran, le mode, le Bluetooth et le WLAN.
8	+	
9		Port USB

Douilles de raccordement



Élément	Description
1	Prise de raccordement de l'alimentation en tension alternative
2	Prise de raccordement de l'alimentation en tension continue

9 Utilisation

Avant la première utilisation

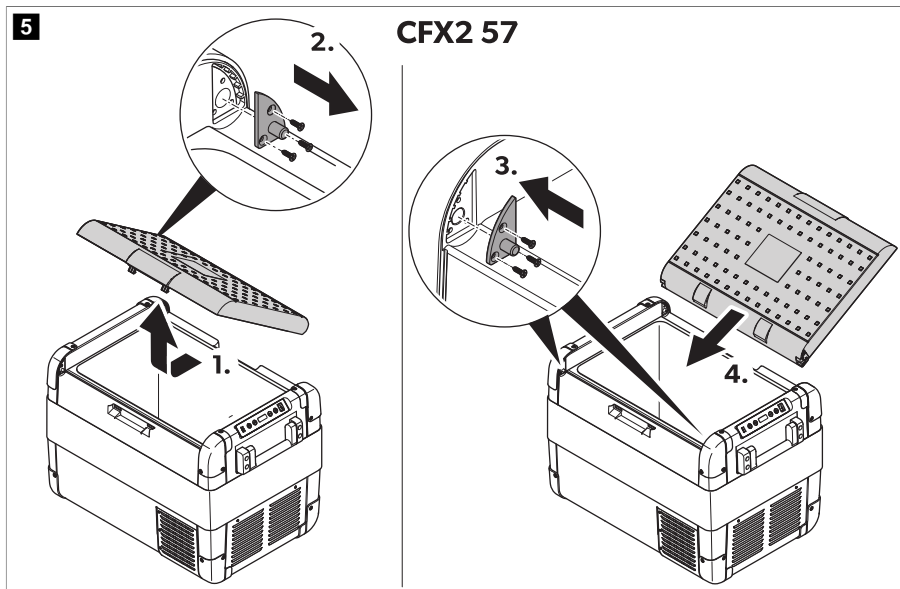


REMARQUE Pour des raisons d'hygiène, nettoyez l'intérieur et l'extérieur de la glacière à l'aide d'un chiffon humide avant de l'allumer pour la première fois (voir Nettoyage et entretien à la page 38).

Inversion du sens d'ouverture du couvercle (CFX2 57 uniquement)

Les charnières du couvercle peuvent être déplacées du côté opposé.

1. Ouvrez et retirez le couvercle (fig. **5** à la page 30).



2. Retirez les 3 vis de chaque charnière (fig. 5 à la page 30) et retirez les charnières.
3. Placez les charnières sur les nouvelles positions.
4. Insérez le couvercle dans les nouveaux emplacements des charnières (fig. 5 à la page 30).

Économie d'énergie

- > Choisissez un emplacement bien aéré et à l'abri du soleil.
- > Laissez refroidir les aliments chauds avant de les placer dans le dispositif de réfrigération.
- > N'ouvrez pas le dispositif de réfrigération plus souvent que nécessaire.
- > Ne laissez pas le dispositif de réfrigération ouvert plus longtemps que nécessaire.
- > Si le dispositif de réfrigération est équipé d'un bac : Pour une consommation d'énergie optimale, positionnez le bac conformément à sa position à la livraison.
- > Vérifiez régulièrement que le joint de la porte est correctement positionné.

Raccordement de la glacière

Raccordement à une batterie



AVIS ! Risque d'endommagement

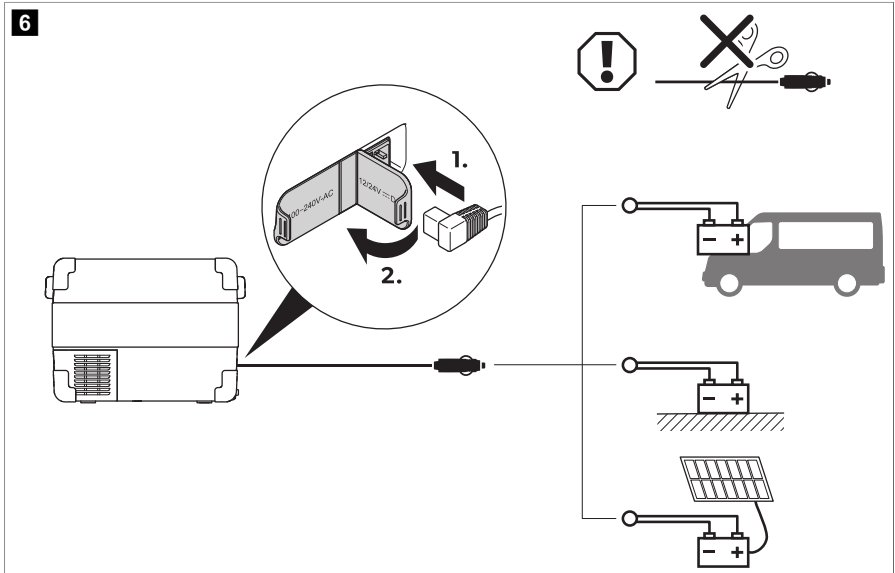
- Pour la protection de l'appareil, le câble CC fourni comprend un fusible à l'intérieur de la fiche. Ne retirez **pas** la fiche CC protégée par fusible. Utilisez uniquement le câble de raccordement fourni à la livraison.
- Débranchez la glacière et les autres consommateurs d'énergie de la batterie avant de recharger la batterie avec un chargeur rapide. Une surtension peut endommager les composants électroniques des appareils connectés à la batterie.



REMARQUE La glacière est équipée d'un système électronique pour empêcher l'inversion de polarité. Le système électronique protège la glacière contre un court-circuit lors du raccordement à une batterie.

La glacière peut être utilisée sur une alimentation 12 V $\overline{\text{=}}$ ou 24 V $\overline{\text{=}}$.

- > Raccordez la glacière à une batterie à l'aide du câble de raccordement au courant continu, comme illustré.



Raccordement à un réseau alternatif



DANGER ! Risque d'électrocution

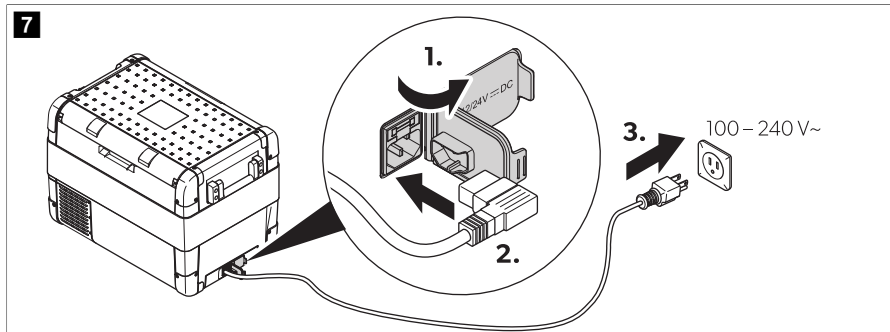
- Ne vous approchez pas de fiches ou de commutateurs lorsque vous avez les mains mouillées ou les pieds dans l'eau.
- Si la glacière est utilisée sur un réseau alternatif à bord d'un bateau, un disjoncteur différentiel doit être installé entre le réseau alternatif et la glacière. Veuillez vous renseigner auprès d'un spécialiste.



REMARQUE

La glacière est équipée d'un bloc d'alimentation intégré à tensions multiples avec raccordement prioritaire pour le branchement sur une tension alternative. Le raccordement prioritaire permet de passer directement en fonctionnement sur courant alternatif quand la glacière est raccordée à un réseau de courant alternatif, même si le câble de raccordement au courant continu est encore branché.

- > Raccordez la glacière à un réseau de courant alternatif à l'aide du câble de raccordement au courant alternatif, comme illustré.



Utilisation de la glacière



AVIS ! Risque d'endommagement

Placez la glacière avec la base orientée vers le bas.

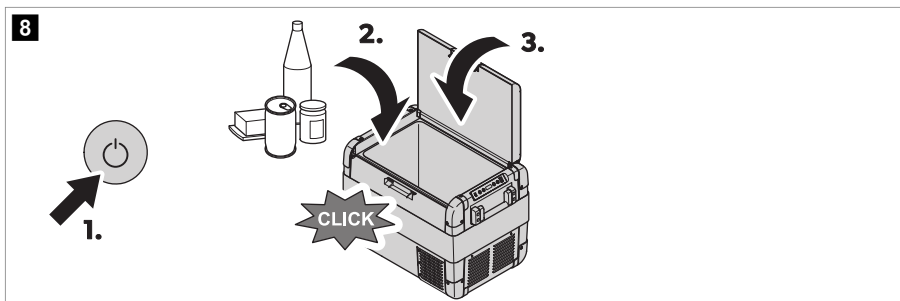
1. Placez la glacière sur une surface stable.
2. Raccordez la glacière (voir le chapitre Raccordement de la glacière à la page 30).



AVERTISSEMENT ! Risque pour la santé

Assurez-vous que seuls les articles à refroidir à la température sélectionnée sont placés dans la glacière.

3. Appuyez sur la touche ON/OFF pendant 1 ... 2 s.

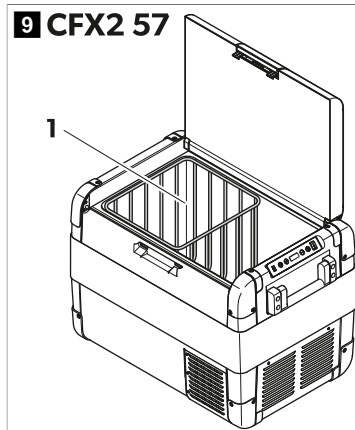


- ✓ La LED d'alimentation s'allume. L'écran s'allume et affiche la température actuelle.



REMARQUE Température affichée

CFX2 57 : la température affichée est la température du grand compartiment intérieur (fig. 9 à la page 33 1).



La glacière commence par la réfrigération du compartiment intérieur.

Verrouillage du couvercle de la glacière

1. Fermez le couvercle.
2. Appuyez sur le loquet jusqu'à ce qu'il s'enclenche.

Éviter le gaspillage d'aliments

Pour éviter de gaspiller des aliments, notez les éléments suivants

- > Évitez autant que possible les variations de température. Ouvrez l'appareil de réfrigération uniquement lorsque c'est nécessaire et le moins longtemps possible. Entrez les aliments de sorte que l'air puisse circuler librement entre eux.
- > Ajustez la température en fonction de la quantité et de la nature des aliments.
- > Les denrées alimentaires peuvent facilement absorber ou dégager des odeurs. Entrez toujours les denrées alimentaires dans des conteneurs/bouteilles couverts ou fermés.

Réglage de la température

1. Appuyez 1 fois sur la touche **SET**.
 2. Sélectionnez la température de refroidissement à l'aide des touches **+** et **-**.
- ✓ L'écran affiche la température sélectionnée et **°C** pendant quelques secondes. L'écran clignote plusieurs fois. Ensuite, la température actuelle s'affiche à nouveau.

sélectionner l'unité de température

1. Appuyez 2 fois sur la touche **SET**.
 2. Sélectionnez l'unité de température à l'aide de la touche **+** ou **-**.
- ✓ L'écran affiche l'unité de température sélectionnée et **°C** pendant quelques secondes. L'écran clignote plusieurs fois avant d'afficher la température actuelle.

Utilisation du protecteur de batterie



AVIS ! Risque d'endommagement

Lorsque le protecteur de batterie s'éteint, la batterie n'est plus complètement chargée. Évitez les démarrages répétés ou l'utilisation de consommateurs d'énergie sans phases de charge plus longues. Veillez à recharger la batterie.

La glacière est équipée d'un protecteur de batterie à plusieurs niveaux qui protège la batterie de votre véhicule, afin d'éviter une décharge profonde lorsqu'elle est raccordée au réseau en courant continu.

Si la glacière est mise en marche alors que l'allumage du véhicule est éteint, elle s'arrête automatiquement dès que la tension d'alimentation descend en dessous d'une valeur prédéfinie. La glacière se rallume dès que la batterie est rechargée à la tension de redémarrage.

En mode HIGH (élevé), le protecteur de batterie répond plus rapidement qu'aux niveaux LOW (faible) et MED (moyen).

Mode protecteur de batterie	LOW	MED	HIGH
Tension de redémarrage à 12 V	11,4 V	12,2 V	12,6 V
Tension d'arrêt à 12 V	10,1 V	11,2 V	11,8 V
Tension de redémarrage à 24 V	23 V	25,3 V	26,4 V
Tension d'arrêt à 24 V	21,5 V	24,1 V	24,6 V

Sélectionnez le mode du protecteur de batterie comme indiqué ci-dessous :

1. Mettez la glacière en marche.
 2. Appuyez 3 fois sur la touche **SET**.
 3. Sélectionnez le mode du protecteur de batterie à l'aide des touches **+** ou **-**.
- ✓ L'écran change comme suit : **[P L0]** (LOW), **[P nD]** (MED), **[P H1]** (HIGH)

Le mode sélectionné apparaît à l'écran pendant quelques secondes. L'écran clignote plusieurs fois avant de revenir à l'affichage de la température actuelle.



REMARQUE Lorsque la glacière est alimentée par la batterie de démarrage, réglez le protecteur de batterie sur le mode HIGH. Lorsque la glacière est raccordée à une batterie à domicile, réglez le protecteur de batterie sur le mode LOW.

Réglage de la luminosité de l'écran

La luminosité de l'écran peut s'adapter à une luminosité ambiante faible.

1. Mettez la glacière en marche.
 2. Appuyez 4 fois sur la touche **SET**.
 3. Sélectionnez la luminosité de l'écran à l'aide des touches **+** ou **-**.
- ✓ L'écran change comme suit : **[d L0]** (faible), **[d nD]** (moyen), **[d H1]** (élevé)

L'écran affiche le mode défini pendant quelques secondes. L'écran clignote plusieurs fois avant de revenir à l'affichage de la luminosité actuelle.



REMARQUE En cas de dysfonctionnement, la luminosité bascule automatiquement sur **[d H1]** (par défaut). Une fois le dysfonctionnement corrigé, la luminosité définie est réactivée.

Utilisation du port USB

Le port USB permet de charger de petits appareils tels que des téléphones portables et des lecteurs mp3.

- > Branchez l'appareil à charger au port USB de la glacière à l'aide d'un câble USB (non fourni).



REMARQUE Assurez-vous que l'appareil branché est compatible avec les tensions 5 V / 2 A.

Réglage du mode d'affichage

1. Appuyez 5 fois sur la touche **SET**.
 2. Utilisez les touches **+** ou **-** pour régler le mode de veille.
- ✓ L'écran change comme suit : **[5 0F]** (désactivé), **[5 0n]** (activé), **[5 Lo]** (faible)

S 0F (désactivé) : le mode de veille est désactivé. L'écran n'est pas constamment allumé.

S 0n (activé) : Le mode de veille est activé. Si la glacière n'est pas utilisée pendant plusieurs minutes, l'écran affiche uniquement un point.

S Lo (faible) : Le sous-mode de veille est activé. Si la glacière n'est pas utilisée pendant plusieurs minutes, l'écran passe à la luminosité la plus faible.



REMARQUE Si l'écran est en mode veille/sous-veille, appuyez sur une touche de la glacière pour quitter directement le mode correspondant.

Utilisation de l'application Mobile Cooling

La glacière peut être surveillée et pilotée via Bluetooth ou WLAN à l'aide d'une application que vous pouvez installer sur un appareil compatible.

1. Téléchargez et installez l'application Mobile Cooling.



Téléchargez l'application sur qr.dometic.com/beiv4R.

2. Appuyez sur la touche **SET** comme suit :
 - 6 fois pour ouvrir les paramètres Bluetooth.
 - 7 fois pour ouvrir les paramètres WLAN.
3. Utilisez les touches **+** ou **-** pour paramétrer le Bluetooth ou le WLAN.



REMARQUE Si la glacière est couplée à un appareil compatible via Bluetooth, le mode de couplage doit être sélectionné.

- ✓ L'écran change comme suit lors du réglage du Bluetooth : **[bLoF]** (désactivé), **[bLoN]** (activé), **[bLPA]** (couplage)



REMARQUE Si **[bLoF]** s'affiche, l'écran ne change pas lorsque la touche **-** est enfoncée. Si **[bLPA]** s'affiche, l'écran ne change pas lorsque la touche **+** est enfoncée.

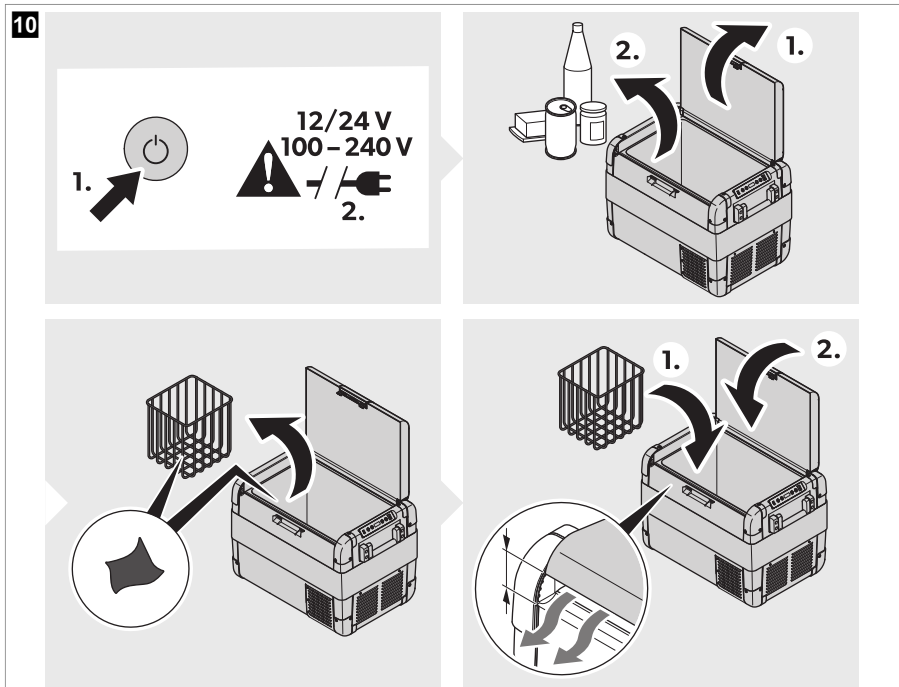
La LED Bluetooth clignote en blanc et l'écran affiche **bl** pendant le couplage Bluetooth.

L'écran change comme suit lors du réglage du WLAN : **[F.iOFF]** (désactivé), **[F.iOn]** (activé)

- Suivez les instructions de l'application Mobile Cooling.
- La LED Bluetooth ou WLAN s'allume lorsque la glacière est connectée.

Mise hors tension de la glacière

- Videz l'appareil de réfrigération.



- Appuyez sur le bouton ON/OFF.
- Débranchez le câble de raccordement.
- Si la glacière n'est pas utilisée pendant une période prolongée, laissez le couvercle ouvert afin d'éviter toute accumulation d'odeurs.

Dégivrer la glacière

L'humidité peut former du givre à l'intérieur de la glacière ou sur l'évaporateur. Cela diminue la puissance frigorifique.



AVIS ! Risque d'endommagement

N'utilisez jamais d'outils durs ou pointus pour enlever la glace ou pour décoinçer les objets pris dans la glace.

Procédez de la manière suivante pour dégivrer le dispositif de réfrigération :

1. Retirez le contenu de la glacière.
2. Au besoin, rangez le contenu dans une autre glacière pour le garder au frais.
3. Éteignez la glacière.
4. Laissez le couvercle ouvert.
5. Essuyez l'eau de dégivrage.

Remplacement du fusible CA



DANGER ! Risque d'électrocution

Débranchez l'alimentation électrique et le câble de raccordement avant de remplacer le fusible CA.

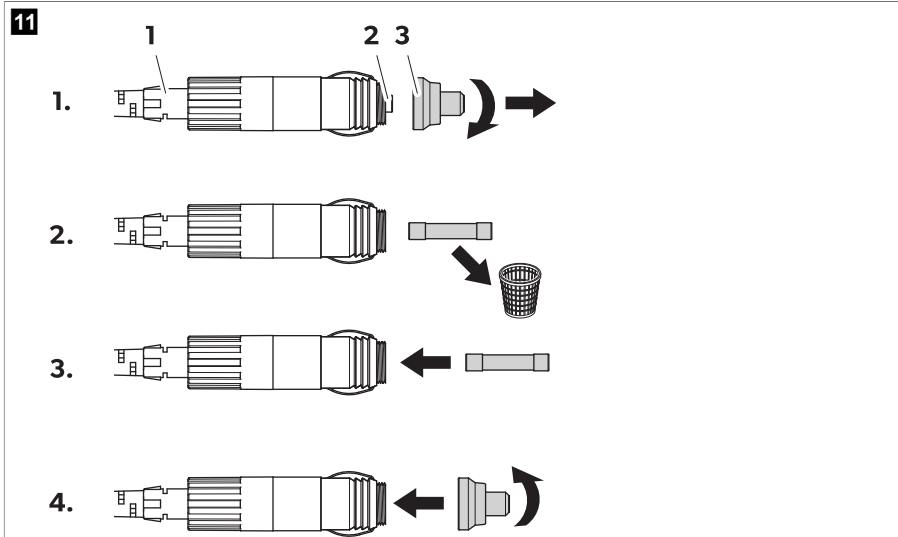
1. Débranchez l'alimentation électrique de la glacière.
2. Débranchez les câbles de raccordement.
3. Retirez le porte-fusible (fig. **4** à la page 29 2) en faisant par ex. levier avec un tournevis.
4. Remplacez le fusible en verre défectueux par un nouveau fusible de même valeur (4 A, 250 V).
5. Remplacez le porte-fusible dans le boîtier, en appuyant dessus.
6. Raccordez de nouveau l'alimentation électrique de l'appareil.

Remplacement du fusible de la fiche CC



REMARQUE Il y a un fusible CC supplémentaire à l'intérieur de l'appareil (fusible lame standard automobile, 10 A). Ce fusible doit être remplacé uniquement par un service après-vente agréé.

1. Dévissez le boîtier de la fiche de contact (fig. **11** à la page 38 **3**) du connecteur (fig. **11** à la page 38 **1**).



2. Remplacez le fusible défectueux (fig. 11 à la page 38 2) par un fusible neuf de même type et doté des mêmes caractéristiques (3AG, rapide, 10 A).
3. Remontez le connecteur en effectuant les opérations dans l'ordre inverse.

Remplacement de la platine de commande lumineuse



AVIS ! Risque d'endommagement

La platine de commande lumineuse doit uniquement être remplacée par le fabricant, un agent de service ou toute autre personne de qualification similaire afin d'éviter tout danger.

10 Nettoyage et entretien



ATTENTION ! Risque d'électrocution

Assurez-vous que le dispositif de réfrigération est débranché de l'alimentation électrique avant toute tâche de nettoyage ou de maintenance.



AVIS ! Risque d'endommagement

- Ne nettoyez jamais l'appareil de réfrigération à l'eau courante et ne le plongez pas non plus dans l'eau.
- N'utilisez pas de produits abrasifs ou d'objets durs pendant le nettoyage.

- > Nettoyez l'appareil à l'intérieur et à l'extérieur de temps en temps avec un chiffon humide.
- > Assurez-vous que les ouvertures d'aération et de ventilation du dispositif de réfrigération ne sont pas obstruées par de la saleté ou de la poussière pour que la chaleur générée par le fonctionnement puisse s'évacuer et éviter d'endommager le dispositif de réfrigération.

11 Dépannage

Panne	Cause possible	Solution proposée
La glacière ne fonctionne pas. La LED d'alimentation ne s'allume pas.	La prise de courant continu n'est pas sous tension.	> Mettez le contact du véhicule.
	La prise de courant alternatif n'est pas sous tension.	> Utilisez une autre prise.
	Le fusible CA est défectueux.	> Remplacez le fusible CA, voir Remplacement du fusible CA à la page 37.
	Le bloc d'alimentation intégré est défectueux.	> Contacter un agent de service agréé.
La LED d'alimentation s'allume en orange, le code d'erreur E 01 s'affiche et la glacière ne refroidit pas, même si la fiche est branchée.	Le réglage du protecteur de batterie est trop élevé.	<ol style="list-style-type: none"> Réglez le protecteur de batterie sur un mode inférieur (voir Utilisation du protecteur de batterie à la page 34). Testez la batterie de démarrage. Si nécessaire, chargez la batterie de démarrage. Suivre les instructions du fabricant.
	Le réglage du protecteur de batterie est trop faible.	<ol style="list-style-type: none"> Réglez le protecteur de batterie sur un mode supérieur (voir Utilisation du protecteur de batterie à la page 34). Testez la batterie de démarrage. Si nécessaire, chargez la batterie de démarrage. Suivre les instructions du fabricant.
En cas d'utilisation de la glacière sur la prise de courant continu : Le contact est mis, mais la glacière ne fonctionne pas. La LED d'alimentation ne s'allume pas.	La fiche CC n'est pas connectée correctement.	> Reconnectez la fiche CC.
	La prise de courant continu est sale. Cela entraîne un mauvais contact électrique.	> Nettoyez la prise CC. Suivre les instructions du fabricant.
	Le fusible de la fiche CC a sauté.	> Remplacez le fusible de la fiche CC, voir le chapitre Remplacement du fusible de la fiche CC à la page 37.
	Le fusible CC à l'intérieur de la glacière a sauté.	> Contacter un agent de service agréé.
	Le fusible de la prise CC du véhicule a sauté.	> Remplacez le fusible de la prise CC du véhicule. Suivre les instructions du fabricant.

Panne	Cause possible	Solution proposée
L'écran affiche un code d'erreur et la glacière ne refroidit pas (voir Codes des d'erreur à la page 40).	La glacière s'est éteinte en raison d'un défaut interne.	> Contacter un agent de service agréé.

Codes d'erreur



REMARQUE Si l'un des codes d'erreur **E 02** à **E 07** s'affiche, contactez un agent de service agréé.

Code d'erreur	Description
E 01	Basse tension/surtension
E 02	Surintensité du ventilateur
E 03	Échec du démarrage du compresseur
E 04	Vitesse du compresseur basse
E 05	Surchauffe du contrôleur
E 06	NTC en circuit ouvert
E 07	NTC en court-circuit

12 Garantie

GARANTIE LIMITÉE DISPONIBLE À L'ADRESSE DOMETIC.COM/WARRANTY.

POUR TOUTE QUESTION OU POUR OBTENIR UNE COPIE GRATUITE DE LA GARANTIE LIMITÉE, CONTACTEZ LE SERVICE GARANTIE DOMETIC À L'ADRESSE SUIVANTE :

DOMETIC CORPORATION

CUSTOMER SUPPORT CENTER

5155 VERDANT DRIVE

ELKHART, INDIANA 46516

1-800-544-4881 OPT 1

Tous les autres pays

Pour toutes réparations ou autres prestations de garantie, veuillez joindre à l'appareil les documents suivants :

- une copie de la facture avec la date d'achat
- un motif de réclamation ou une description du dysfonctionnement

Notez que toute réparation effectuée par une personne non agréée peut présenter un risque de sécurité et annuler la garantie.

13 Mise au rebut



AVERTISSEMENT ! Risque d'enfermement d'enfant

Avant de mettre au rebut votre dispositif de réfrigération usagé, démontez le couvercle. Laissez les paniers en place afin que les enfants ne puissent pas entrer facilement dans l'appareil.



Dans la mesure du possible, veuillez éliminer les emballages dans les conteneurs de déchets recyclables prévus à cet effet. Pour éliminer définitivement le produit, contactez le centre de recyclage le plus proche ou votre revendeur spécialisé afin de vous informer sur les dispositions relatives au retraitement des déchets.



Recyclage des produits contenant des piles, des batteries et des sources lumineuses rechargeables : Retirez toutes les piles, batteries et sources lumineuses rechargeables avant de recycler le produit. Rapportez les piles défectueuses ou les batteries usagées à votre revendeur ou à un centre de collecte. Les piles, les batteries et les sources lumineuses rechargeables usagées ne sont pas des déchets ménagers. Si vous souhaitez mettre le produit au rebut, contactez le centre de recyclage le plus proche ou votre revendeur spécialisé afin d'être informé des réglementations liées au traitement des déchets. Le produit peut être mis au rebut gratuitement.

14 Caractéristiques techniques



REMARQUE Si la température ambiante est supérieure à 32 °C (89,6 °F), la température minimale ne peut être atteinte.

Ce produit contient des gaz à effet de serre fluorés.

L'unité de réfrigération est hermétiquement fermée.

	CFX2 28	CFX2 37	CFX2 45	CFX2 57
Entrée nominale	50 ... 60 Hz 100 ... 240 V~			
Courant nominal	12 V: 8,6 A 24 V: 3,8 A 100 V: 1,6 A 240 V: 0,77 A	12 V: 8,7 A 24 V: 3,85 A 100 V: 1,63 A 240 V: 0,78 A	12 V: 8,8 A 24 V: 3,9 A 100 V: 1,65 A 240 V: 0,79 A	12 V: 9 A 24 V: 4 A 100 V: 1,7 A 240 V: 0,8 A
Puissance de refroidissement	-22 °C (-7,6 °F) ... 20 °C (68 °F)			
Température ambiante	16 °C (60,8 °F) ... 43 °C (109,4 °F)			
Classe climatique	N ou T			
USB	5 V 2 A			
Réfrigérant	R1234yf			
Quantité de réfrigérant	28 g (1,0 oz)	37 g (1,3 oz)	45 g (1,6 oz)	57 g (2,0 oz)

FR CFX2 28, CFX2 37, CFX2 45, CFX2 57

	CFX2 28	CFX2 37	CFX2 45	CFX2 57
Dimensions (L x h x p) (poignées comprises)	345 mm (13,58 in) × 427 mm (16,81 in) × 375 mm (14,76 in)	401 mm (15,79 in) × 428 mm (16,85 in) × 430 mm (16,93 in)	401 mm (15,79 in) × 493 mm (19,41 in) × 430 mm (16,93 in)	458 mm (18,03 in) × 503 mm (19,80 in) × 485 mm (19,09 in)
Volume (« Volume »)	28 L (7,40 gal)	37 L (9,78 gal)	45 L (11,89 gal)	57 L (15,06 gal)
Poids	13,3 kg (29,3 lb)	15,6 kg (34,4 lb)	16,6 kg (36,6 lb)	18,3 kg (40,4 lb)

Español

1	Notas importantes.....	43
2	Explicación de los símbolos.....	43
3	Explicación de los símbolos del aparato.....	44
4	Indicaciones de seguridad.....	44
5	Volumen de entrega.....	46
6	Accesorios.....	47
7	Uso previsto.....	47
8	Descripción técnica.....	48
9	Funcionamiento.....	50
10	Limpieza y mantenimiento.....	59
11	Solución de problemas.....	60
12	Garantía.....	61
13	Eliminación.....	62
14	Datos técnicos.....	62

1 Notas importantes

Lea atentamente estas instrucciones y siga las indicaciones, directrices y advertencias incluidas en este manual para asegurarse de que instala, utiliza y mantiene correctamente el producto en todo momento. Estas instrucciones DEBEN conservarse junto con este producto.

Al utilizar el producto, usted confirma que ha leído cuidadosamente todas las instrucciones, directrices y advertencias, y que entiende y acepta cumplir los términos y condiciones aquí establecidos. Usted se compromete a utilizar este producto solo para el propósito y la aplicación previstos y de acuerdo con las instrucciones, directrices y advertencias establecidas en este manual del producto, así como de acuerdo con todas las leyes y reglamentos aplicables. La no lectura y observación de las instrucciones y advertencias aquí expuestas puede causarle lesiones a usted o a terceros, daños en el producto o daños en otras propiedades cercanas. Este manual del producto, incluyendo las instrucciones, directrices y advertencias, y la documentación relacionada, pueden estar sujetos a cambios y actualizaciones. Para obtener información actualizada sobre el producto, visite documents.domestic.com.

2 Explicación de los símbolos



¡PELIGRO!

Indica una situación peligrosa que, de no evitarse, ocasionará la muerte o lesiones graves.



¡ADVERTENCIA!

Indica una situación peligrosa que, de no evitarse, puede ocasionar la muerte o lesiones graves.



¡ATENCIÓN!

Indica una situación peligrosa que, de no evitarse, puede ocasionar lesiones moderadas o leves.



¡AVISO!

Indica una situación peligrosa que, de no evitarse, puede provocar daños materiales.



NOTA Información complementaria para el manejo del producto.

3 Explicación de los símbolos del aparato



¡Advertencia! Riesgo de incendio. Materiales inflamables.

4 Indicaciones de seguridad



¡PELIGRO! Riesgo de electrocución

- En embarcaciones: en caso de funcionamiento conectado a la red eléctrica, asegúrese de que el suministro de energía eléctrica esté protegido con un interruptor diferencial (RCCB) o con un interruptor de falla a tierra (GFCI). La instalación, especialmente en áreas potencialmente húmedas, debe efectuarse en conformidad con todas las normas de instalación aplicables.
- No toque los cables sin aislamiento directamente con las manos. Esto rige especialmente en caso de funcionamiento con la red de corriente alterna.



¡ADVERTENCIA! Riesgo de electrocución

- No ponga el aparato de refrigeración en funcionamiento si presenta desperfectos visibles.
- Si el cable de alimentación de este aparato de refrigeración está dañado, se deberá sustituir para evitar riesgos de seguridad.
- Este aparato de refrigeración solo debe ser reparado por personal cualificado. Las reparaciones inadecuadas pueden conllevar peligros considerables.
- Enchufe el aparato en tomas que garanticen una conexión correcta, sobre todo cuando sea necesario poner a tierra el aparato.



¡ADVERTENCIA! Peligro de incendio

- Al colocar el aparato, asegúrese de que el cable de suministro eléctrico no se haya quedado atrapado o esté dañado.
- No coloque varias tomas o suministros de corriente portátiles detrás del aparato.
- El refrigerante del circuito de refrigeración es altamente inflamable y en caso de que se produjera una fuga, se podrían formar gases combustibles si el aparato se encuentra en un recinto pequeño. En caso de daños en el circuito de refrigeración:
 - Mantenga alejadas de la nevera llamas vivas y posibles fuentes de ignición.
 - Ventile bien el recinto.
 - Apague la nevera.
- Mantenga libres de obstáculos las aberturas de ventilación de la carcasa del aparato o de construcciones empotradas.
- No emplee objetos mecánicos u otros medios para acelerar el proceso de descongelación, a no ser que el fabricante lo recomiende.
- No abra o dañe el circuito de refrigerante.

- No utilice ningún aparato eléctrico dentro del enfriador, a no ser que el aparato en cuestión haya sido recomendado para ello por el fabricante.



¡ADVERTENCIA! Riesgo para la salud

- Este aparato no está previsto para que lo usen personas (incluidos niños) con sus capacidades físicas, sensitivas o mentales limitadas o sin la experiencia y los conocimientos pertinentes, siempre y cuando no haya una persona responsable de la seguridad que supervise adecuadamente o explique detalladamente su uso.
- Los menores de 3 a 8 años pueden meter y sacar artículos de la nevera.
- Controle a los niños para asegurarse de que no jueguen con el aparato.
- Los menores no deberán limpiar ni realizar el mantenimiento de usuario sin la debida supervisión.



¡ADVERTENCIA! Peligro de explosión

No guarde en el aparato de refrigeración sustancias con peligro de explosión, tales como aerosoles con agente espumante inflamable.



¡ATENCIÓN! Riesgo de electrocución

- Antes de poner en funcionamiento el aparato de refrigeración, asegúrese de que el cable de alimentación y la clavija del enchufe estén secos.
- Desconecte el aparato de refrigeración de la fuente de alimentación antes de limpiarlo, someterlo a mantenimiento y después de cada uso.



¡ATENCIÓN! Riesgo para la salud

- Siga las siguientes instrucciones para evitar que los alimentos se contaminen:
 - Compruebe si la potencia de refrigeración del aparato cumple los requisitos de los alimentos que desea enfriar.
 - Los alimentos solo se pueden almacenar con su envase original o en recipientes adecuados.
 - Mantener la nevera abierta durante largos períodos de tiempo puede producir un incremento considerable de la temperatura en los compartimentos del aparato.
 - Limpie periódicamente las superficies que puedan estar en contacto con alimentos y los sistemas de desagüe accesibles.
- Si el aparato se deja vacío durante un tiempo prolongado:
 - Desconecte el aparato.
 - Descongele el aparato.
 - Limpie y seque el aparato.
 - Deje la tapa abierta para evitar la generación de moho dentro del aparato.

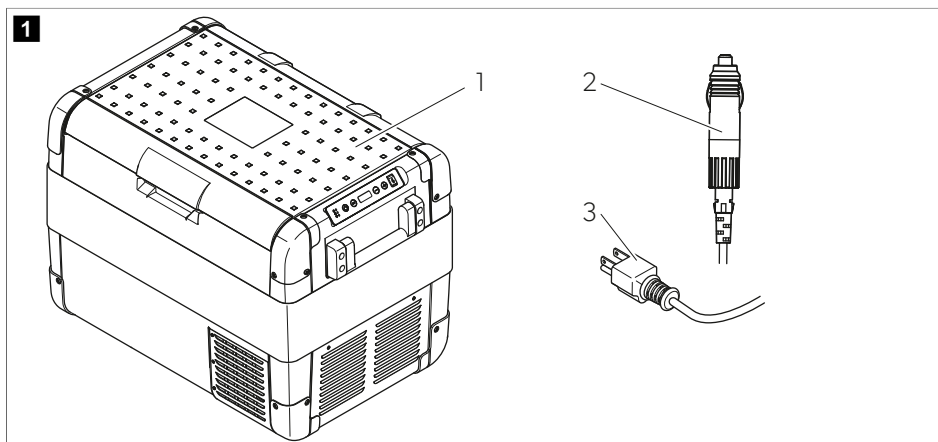


¡AVISO! Peligro de daños

- Compruebe que el valor de tensión indicado en la placa de características se corresponde con el del suministro de energía.
- Conecte el aparato de refrigeración solo del siguiente modo:
 - Con el cable de conexión de corriente continua a la red de corriente continua
 - O bien con el cable de conexión de corriente alterna a una red de corriente alterna
- No desenchufe nunca la clavija de la caja de enchufe tirando del cable.
- Si el aparato de refrigeración está conectado a una toma de corriente continua: Desconecte de la batería el aparato de refrigeración u otros aparatos conectados antes de conectar un cargador rápido.

- Si el aparato de refrigeración está conectado a una toma de corriente continua: Desenchufe el aparato de refrigeración o apáguelo cuando apague el motor. De lo contrario, podría descargarse la batería del vehículo.
- El aparato de refrigeración no es adecuado para transportar materiales cáusticos o materiales que contengan disolventes.
- El aislamiento de la nevera contiene ciclopentano y requiere una gestión de residuos especial. Deposite el aparato de refrigeración en un centro de reciclaje adecuado al finalizar su vida útil.
- No coloque el aparato de refrigeración cerca de fuego abierto ni de otras fuentes de calor (fogatas, calefacción, radiación solar directa, estufas de gas, etc.).
- No introduzca líquidos ni hielo en el recipiente interior.
- No sumerja nunca el aparato de refrigeración bajo el agua.
- Proteja el aparato de refrigeración y los cables contra el calor y la humedad.
- El aparato de refrigeración no debe quedar expuesto a la lluvia.
- Para que el refrigerante pueda circular correctamente, el ángulo de inclinación del aparato de refrigeración no debe superar los 30 °. Utilice un nivel para asegurarse de que el aparato de refrigeración esté nivelado.
- **¡Riesgo de sobrecalentamiento!** Asegúrese de que siempre haya suficiente ventilación en los cuatro lados del aparato de refrigeración. Mantenga la zona de ventilación libre de objetos que puedan impedir el paso de aire a los componentes refrigerantes. No coloque el aparato de refrigeración en compartimentos cerrados o en áreas donde no haya un flujo mínimo de aire.

5 Volumen de entrega



Elemento	Cantidad	Descripción
1	1	Nevera
2	1	Cable de conexión para la conexión de corriente continua
3	1	Cable de conexión para la conexión de corriente alterna
-	1	Guía rápida

6 Accesorios

Disponible como accesorio (no incluido en el volumen de entrega):

Denominación	N.º de art.	Modelo
Kit de fijación de desenganche rápido CFX-QFK	9105306218	Solo CFX2 28
Aplicación de refrigeración móvil	-	Apto para todos los modelos

7 Uso previsto

La nevera es apta tanto para enfriar como para congelar alimentos. La nevera también es apta para el uso en vehículos. La nevera está diseñada para funcionar conectada a un enchufe de corriente continua de un vehículo o a una red de corriente alterna.

La nevera es adecuada para utilizar en campings.

La nevera está diseñada para el uso doméstico y aplicaciones similares, como por ejemplo:

- Áreas de cocina para el personal en tiendas, oficinas y otros entornos de trabajo
- Casas rurales
- Clientes de hoteles, moteles y otros entornos de tipo residencial
- Ambientes de tipo “bed and breakfast”
- Catering y aplicaciones similares no comerciales

La nevera **no** es apta para:

- Congelar alimentos rápidamente
- Guardar sustancias corrosivas, cáusticas o que contengan disolventes
- Uso como aparato encastrable

Esta nevera solo es apta para el uso previsto y la aplicación de acuerdo con estas instrucciones.

Este producto solo es apto para el uso previsto y la aplicación de acuerdo con estas instrucciones.

Este manual proporciona la información necesaria para la correcta instalación y/o funcionamiento del producto. Una instalación deficiente y/o un uso y mantenimiento inadecuados conllevan un rendimiento insatisfactorio y posibles fallos.

El fabricante no se hace responsable de ninguna lesión o daño en el producto ocasionados por:

- Una instalación, un montaje o una conexión incorrectos, incluido un exceso de tensión
- Un mantenimiento incorrecto o el uso de piezas de repuesto distintas de las originales proporcionadas por el fabricante
- Modificaciones realizadas en el producto sin el expreso consentimiento del fabricante
- Uso con una finalidad distinta de la descrita en las instrucciones

Dometic se reserva el derecho de cambiar la apariencia y las especificaciones del producto.

8 Descripción técnica

La nevera puede enfriar los productos y congelarlos. La refrigeración se realiza a través de un circuito de refrigeración de bajo mantenimiento con compresor. El amplio aislamiento y el potente compresor aseguran una refrigeración eficiente y rápida.

La nevera está prevista para un uso portátil.

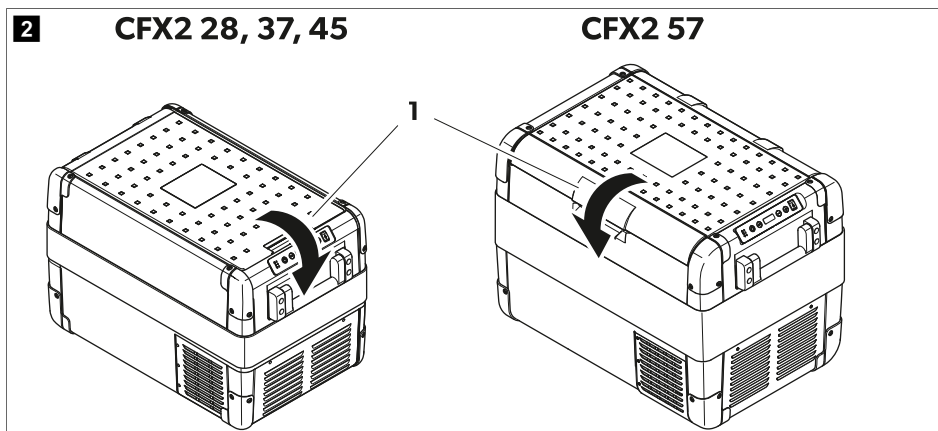
La nevera puede estar inclinada a 30 ° durante periodos cortos (por ejemplo, en embarcaciones).

Descripción de funciones

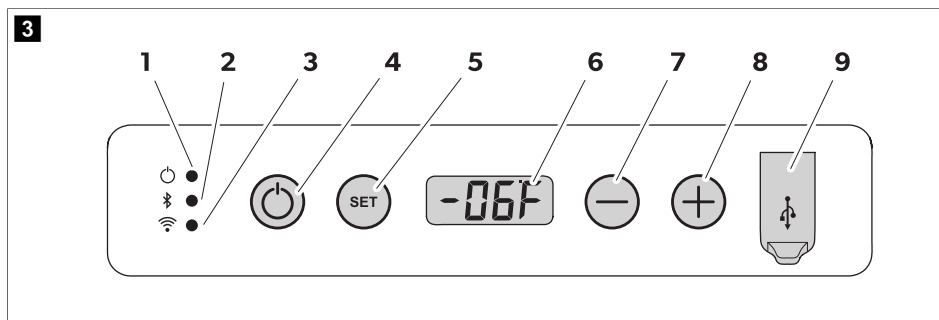
- Fuente de alimentación con conexión de prioridad al suministro de corriente alterna
- Controlador de la batería de 3 etapas para proteger la batería del vehículo
- Pantalla con sensor de temperatura en °C y °F
- Regulación de temperatura con 2 botones en intervalos de 1 °C/1 °F
- Funciones Bluetooth y WLAN integradas para controlar la nevera a través de la aplicación de refrigeración móvil
- Asas de transporte abatibles
- Conexión USB para alimentación
- Cesta interior extraíble

Elementos de mando y de indicación

Cierre (fig. **2** en la página 48, **1**) de la tapa:

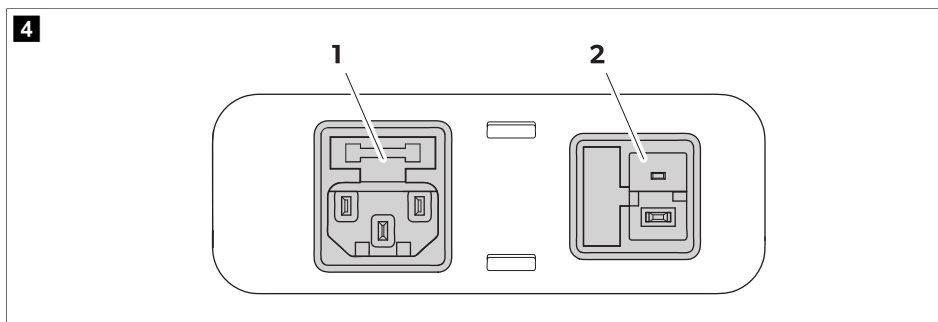


Panel de control



Elemento	Descripción	Explicación
1	Encendido	Indicación de funcionamiento
		El LED se ilumina en blanco: El compresor se pone en marcha. El LED se ilumina en naranja: El compresor deja de funcionar.
2	Bluetooth	El LED se apaga: El Bluetooth de la nevera está desactivado.
		El LED parpadea en blanco lentamente: El Bluetooth de la nevera está activado. La nevera no está emparejada con un dispositivo.
		El LED parpadea rápidamente en blanco: La nevera se empareja con un dispositivo a través de Bluetooth.
		El LED se ilumina en blanco: La nevera está emparejada con un dispositivo a través de Bluetooth.
3	WLAN	El LED se apaga: La función WLAN de la nevera está desactivada.
		El LED parpadea en blanco: La función WLAN de la nevera está activada. La nevera no está conectada a un dispositivo.
		El LED se ilumina en blanco: La nevera está emparejada con un dispositivo a través de la función WLAN.
4	ON/OFF	Enciende o apaga la nevera.
5	SET	Selecciona el modo de entrada <ul style="list-style-type: none"> Regulación de temperatura Indicación en Celsius o Fahrenheit Ajuste del controlador de la batería Ajuste del brillo de la pantalla Ajuste del modo de visualización Ajuste del Bluetooth Ajuste de la función WLAN
6		Pantalla
7	-	Permite ajustar la temperatura, la unidad de temperatura, el controlador de la batería, el brillo de la pantalla, el modo, el Bluetooth y la función WLAN.
8	+	
9		Conexión USB

Hembrillas de conexión



Elemento	Descripción
1	Conexión de enchufe para la alimentación de tensión alterna
2	Conexión de enchufe para la alimentación de tensión continua

9 Funcionamiento

Antes del primer uso

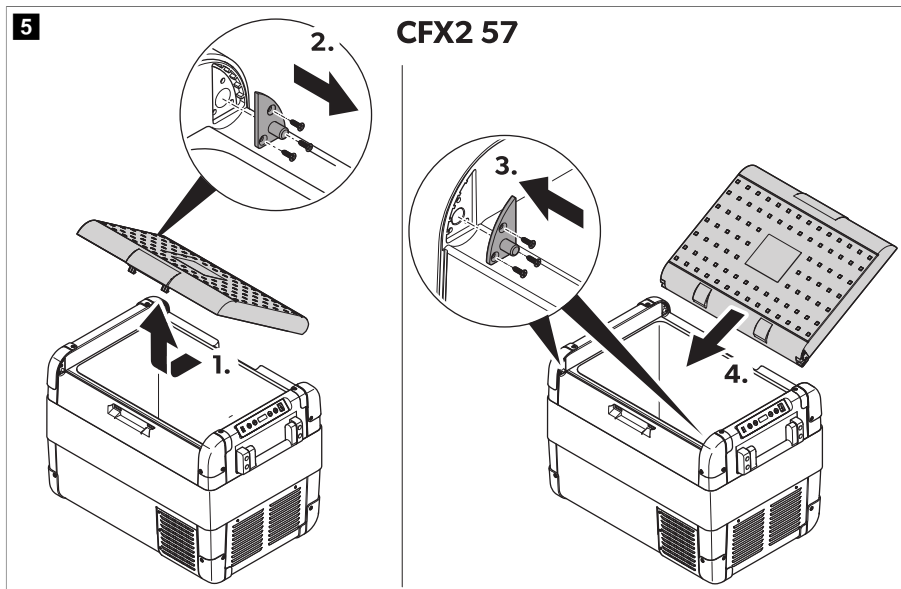


NOTA Por razones de higiene, limpie la nevera por dentro y por fuera con un paño húmedo antes de ponerla en funcionamiento por primera vez (consulte Limpieza y mantenimiento en la página 59).

Inversión del sentido de apertura de la tapa (solo CFX2 57)

Las bisagras de la tapa se pueden colocar en el lado opuesto.

1. Abra y retire la tapa (fig. **5** en la página 51).



2. Quite los 3 tornillos de cada bisagra (fig. 5 en la página 51) y retírelas.
3. Vuelva a montar los toques de la tapa en las nuevas posiciones.
4. Inserte la tapa en las nuevas posiciones de las bisagras (fig. 5 en la página 51).

Ahorro de energía

- > Elija un lugar de emplazamiento bien ventilado y protegido de la radiación solar.
- > Antes de introducir alimentos calientes en el aparato para refrigerarlos, deje que se enfríen un poco.
- > No abra la nevera con mayor frecuencia de la necesaria.
- > No deje la nevera abierta más tiempo del necesario.
- > Si la nevera dispone de una cesta: para un consumo de energía óptimo, coloque la cesta en la misma posición que ocupa en el momento de la entrega.
- > Compruebe periódicamente que la junta de la tapa encaja correctamente.

Conexión de la nevera

Conexión a una batería



¡AVISO! Peligro de daños

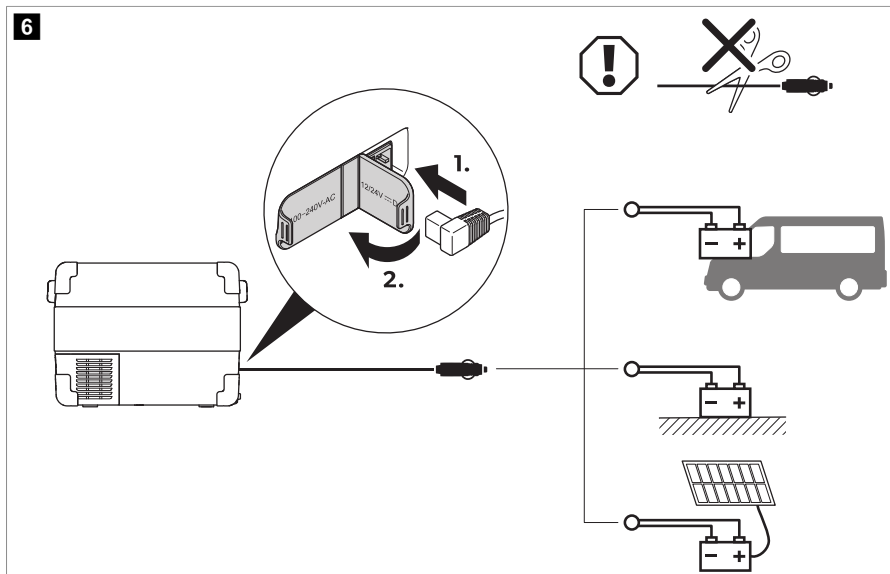
- Para proteger el aparato, el cable de corriente continua suministrado incluye un fusible dentro de la clavija. **No** retire el enchufe de CC con fusible. Utilice únicamente el cable de corriente continua suministrado.
- Antes de conectar la batería a un cargador rápido, desenchufe la nevera y otros consumidores. La sobretensión puede dañar los componentes electrónicos de los dispositivos conectados a la batería.



NOTA La nevera está equipada con un sistema electrónico para prevenir la inversión de polaridad. El sistema electrónico protege la nevera contra posibles cortocircuitos al conectarla a la batería.

La nevera puede funcionar con 12 V $\overline{=}$ o 24 V $\overline{=}$.

- > Conecte la nevera a una batería mediante el cable de conexión de CC como se muestra.



Conexión a una red de corriente alterna



¡PELIGRO! Riesgo de electrocución

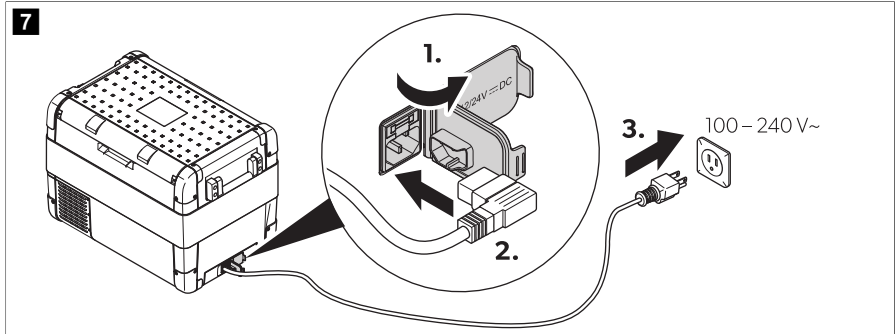
- No manipule los enchufes ni interruptores con las manos mojadas ni con los pies sobre una superficie mojada.
- Si la nevera funciona con una fuente de alimentación de CA a bordo de una embarcación, deberá instalar un disyuntor de corriente residual entre la fuente de alimentación de CA y la nevera. Consulte con un especialista.



NOTA

La nevera cuenta con una fuente de alimentación multivoltaje con una conexión de prioridad para su conexión a una fuente de tensión de CA. La conexión de prioridad conmuta automáticamente la nevera para que funcione con CA si se conecta a una fuente de alimentación de CA, aunque siga conectado un cable de conexión de CC.

- > Conecte la nevera a una fuente de alimentación de CA mediante el cable de conexión de CA, tal como se muestra.



Uso de la nevera



¡AVISO! Peligro de daños

Coloque la nevera con la base orientada hacia abajo.

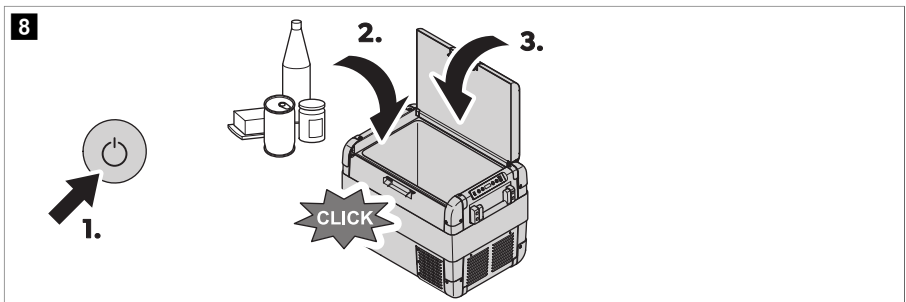
1. Coloque la nevera sobre una base firme.
2. Conecte la nevera (consulte el capítulo Conexión de la nevera en la página 51).



¡ADVERTENCIA! Riesgo para la salud

Asegúrese de que en la nevera solo hay artículos que se puedan enfriar a la temperatura seleccionada.

3. Pulse el botón ON/OFF durante 1 ... 2 s.



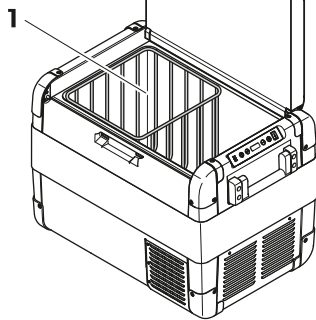
- ✓ El LED de encendido se ilumina. La pantalla se enciende e indica la temperatura actual.



NOTA Temperatura indicada

CFX2 57: La temperatura mostrada es la temperatura del compartimento interior grande (fig. 9 en la página 54 1).

9 CFX2 57



La nevera empieza a refrigerar el espacio interior.

Bloqueo de la tapa de nevera

1. Cierre la tapa.
2. Presione el cierre hacia abajo hasta que oiga un clic.

Evitar el desperdicio de alimentos

Tenga en cuenta lo siguiente para no desperdiciar alimentos:

- > Procure que las oscilaciones de temperatura sean mínimas. Abra la nevera solamente el tiempo y las veces que sea necesario. Almacene los alimentos de manera que no impidan una buena circulación del aire.
- > Ajuste la temperatura a la cantidad y el tipo de alimentos.
- > Los alimentos pueden absorber o desprender sabores y olores con facilidad. Almacene siempre los alimentos envueltos o cerrados en recipientes o botellas.

Ajuste de la temperatura

1. Pulse el botón **SET** 1 vez.
 2. Seleccione la temperatura de refrigeración con los botones **+** y **-**.
- ✓ En la pantalla aparecerán durante unos segundos la temperatura seleccionada y **°C**. La pantalla parpadea varias veces. A continuación, se vuelve a mostrar la temperatura actual.

seleccionar la unidad de temperatura

1. Pulse **SET** el botón 2 veces.
 2. Utilice los botones **+** o **-** para seleccionar la unidad de temperatura.
- ✓ La pantalla indica durante unos segundos la unidad de temperatura seleccionada y **°F**. La pantalla parpadea varias veces antes de mostrar la temperatura actual.

Utilización del controlador de la batería



¡AVISO! Peligro de daños

Cuando el controlador de la batería se apaga, la batería ya no está completamente cargada. Evite accionar repetidamente el contacto del vehículo o utilizar aparatos conectados a la corriente sin fases de recarga más largas. Asegúrese de que la batería está recargada.

La nevera está equipada con un controlador de batería de varias etapas que evita que la batería del vehículo se descargue excesivamente cuando la nevera está conectada a una toma de CC del vehículo.

En caso de poner la nevera en funcionamiento en el vehículo con el contacto apagado, esta se desconectará automáticamente en cuanto la tensión de alimentación descienda por debajo de un valor concreto. La nevera se encenderá de nuevo en cuanto la batería se recargue y alcance la tensión de reconexión.

En el modo "HIGH", el controlador de la batería responde más rápido que en los modos "LOW" y "MED".

Modo del controlador de batería	LOW	MED	HIGH
Tensión de reconexión a 12 V	11,4 V	12,2 V	12,6 V
Tensión de desconexión a 12 V	10,1 V	11,2 V	11,8 V
Tensión de reconexión a 24 V	23 V	25,3 V	26,4 V
Tensión de desconexión a 24 V	21,5 V	24,1 V	24,6 V

Seleccione el modo del controlador de la batería como se muestra a continuación:

1. Encienda la nevera.
 2. Pulse **SET** el botón 3 veces.
 3. Utilice los botones **+** o **-** para seleccionar el modo del controlador de la batería.
- ✓ La pantalla cambia de la siguiente manera: **[P L o]** (LOW), **[P M d]** (MED), **[P H i]** (HIGH)

El modo seleccionado aparece en la pantalla durante unos segundos. La pantalla parpadea varias veces antes de volver a mostrar la temperatura actual.



NOTA Cuando la nevera se alimente con la batería de arranque, seleccione el modo del controlador de la batería "HIGH". Cuando la nevera se alimente con una batería doméstica, seleccione el modo del controlador de la batería "LOW".

Ajuste del brillo de la pantalla

El brillo de la pantalla puede atenuarse para condiciones lumínicas poco intensas.

1. Encienda la nevera.
 2. Pulse **SET** el botón 4 veces.
 3. Utilice los botones **+** o **-** para ajustar el brillo de la pantalla.
- ✓ La pantalla cambia de la siguiente manera: **[d L o]** (bajo), **[d M d]** (medio), **[d H i]** (alto)

La pantalla muestra el modo ajustado durante varios segundos. La pantalla parpadea varias veces antes de volver al brillo actual.



NOTA Si se produce un fallo, el brillo cambia automáticamente a **[d H i]** (valor por defecto). Una vez solucionado el fallo, el brillo ajustado se vuelve a activar.

Utilización del puerto USB

El puerto USB permite cargar dispositivos pequeños como teléfonos móviles y reproductores MP3.

- > Conecte el dispositivo que desee cargar al puerto USB de la nevera mediante un cable USB (no incluido).



NOTA Asegúrese de que el dispositivo conectado admite una corriente de 5 V / 2 A.

Ajustar el modo de visualización

1. Pulse **SET** el botón 5 veces.
 2. Utilice los botones **+** o **-** para establecer el modo de sueño.
- ✓ La pantalla cambia de la siguiente manera: **[5 0F]** (desactivado), **[5 0n]** (activado), **[5 Lo]** (bajo)

S 0F (desactivado): El modo de sueño está desactivado. La pantalla está encendida de forma permanente.

S 0n (activado): El modo de sueño está activado. Si la nevera no se utiliza durante varios minutos, la pantalla solo muestra un punto.

S Lo (bajo): Se activa el submodo de sueño. Si la nevera no se utiliza durante varios minutos, la pantalla cambia al nivel de brillo más bajo.



NOTA Si la pantalla está en el modo de sueño o en el submodo de sueño, pulse un botón de la nevera para salir brevemente del modo en cuestión.

Uso de la aplicación de refrigeración móvil

La nevera se puede monitorizar y controlar por Bluetooth o a través de la función WLAN con una aplicación que se puede instalar en un dispositivo compatible.

1. Descargue e instale la aplicación de refrigeración móvil.



Obtenga la aplicación en qr.dometic.com/beiv4R.

2. Pulse el botón **SET** como se indica a continuación:
 - 6 veces para abrir los ajustes del Bluetooth.
 - 7 veces para abrir los ajustes de la función WLAN.
3. Utilice los botones **+** o **-** para configurar el Bluetooth o la función WLAN.



NOTA Si la nevera está emparejada con un dispositivo compatible a través de Bluetooth, debe configurarse el modo de emparejamiento.

- ✓ La pantalla cambia de la siguiente manera al configurar el Bluetooth: **[bL 0F]** (desactivado), **[bL 0n]** (activado), **[bL PP]** (emparejamiento)



NOTA Si se muestra **[bL OFF]**, la pantalla no cambia cuando se pulsa el botón **[]**. Si se muestra **[bL PR]**, la pantalla no cambia cuando se pulsa el botón **[+]**.

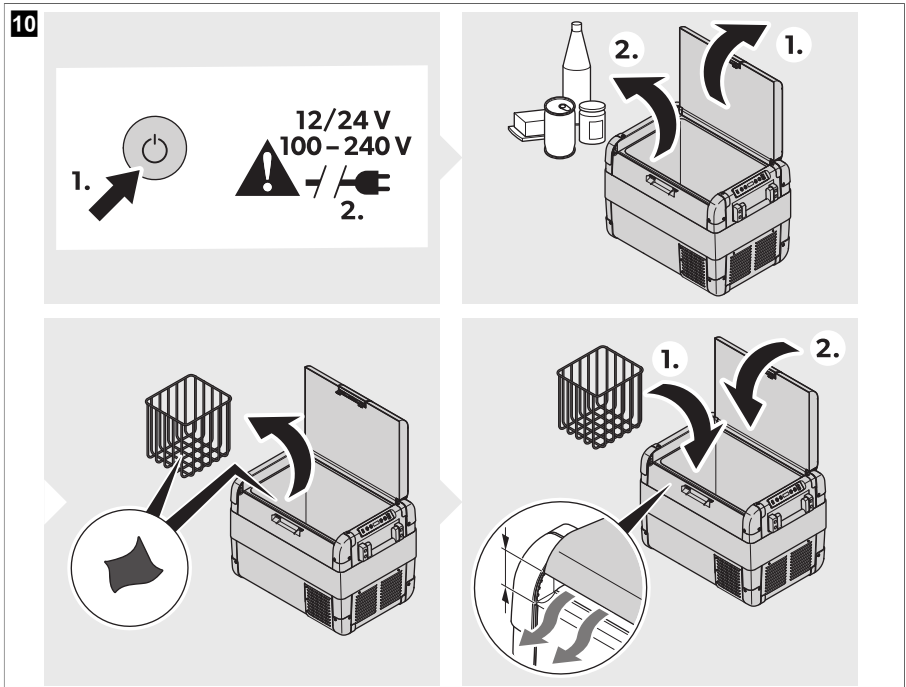
El LED de Bluetooth parpadea en blanco y la pantalla muestra **[bL]** mientras se efectúa el emparejamiento mediante el Bluetooth.

La pantalla cambia de la siguiente manera al configurar la función WLAN: **[F OFF]** (desactivado), **[F ON]** (activado)

4. Siga las instrucciones de la aplicación de refrigeración móvil.
- ✓ El LED de Bluetooth o WLAN se ilumina cuando la nevera está conectada.

Apagado de la nevera

1. Vacíe la nevera.



2. Pulse el botón "ON/OFF".
3. Desenchufe el cable de conexión.
4. Si la nevera no se utiliza durante un periodo de tiempo prolongado, deje la tapa abierta para que no se acumulen olores.

Descongelación de la nevera

La humedad puede formar escarcha en el interior de la nevera o en el evaporador. Esto reduce la potencia de refrigeración.



¡AVISO! Peligro de daños

No utilice nunca herramientas de material duro o afiladas para quitar el hielo o soltar objetos que se hayan congelado en su ubicación.

Para descongelar el aparato de refrigeración, proceda como se indica a continuación:

1. Retire el contenido de la nevera.
2. De ser necesario, colóquelo en otra nevera para mantenerlo frío.
3. Desconecte la nevera.
4. Deje la tapa abierta.
5. Elimine con un paño el agua descongelada.

Cambio del fusible de corriente alterna



¡PELIGRO! Riesgo de electrocución

Desconecte el suministro eléctrico y el cable de conexión antes de sustituir el fusible de CA.

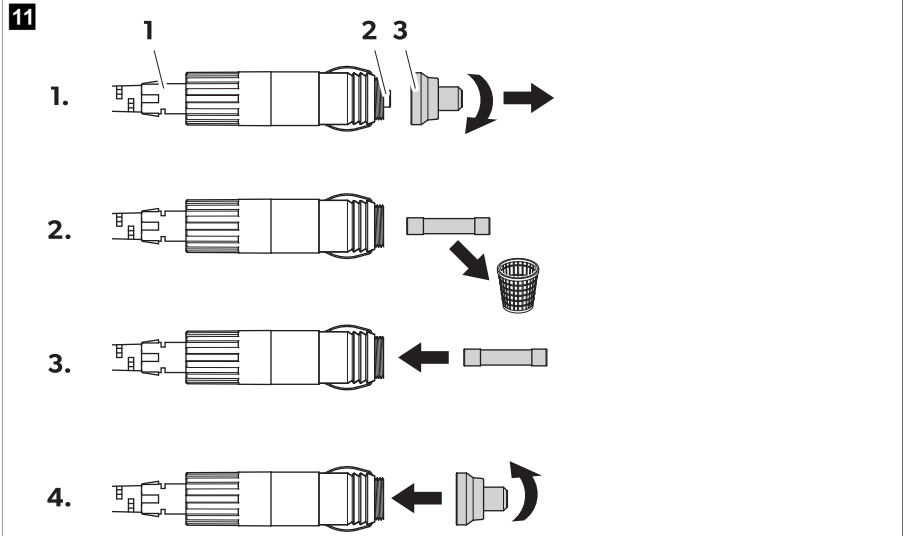
1. Desconecte la fuente de alimentación de la nevera.
2. Desenchufe el cable de conexión.
3. Quite el juego de fusibles (fig. **4** en la página 50 2) con un destornillador.
4. Cambie el fusible de vidrio averiado por otro nuevo del mismo tipo y valor (4 A, 250 V).
5. Vuelva a presionar el juego de fusibles en la carcasa.
6. Vuelva a conectar la alimentación de corriente del aparato.

Sustitución del fusible de la clavija de corriente continua



NOTA Dentro del aparato hay un fusible de CC adicional (fusible estándar de automoción, 10 A). Este fusible solo puede ser sustituido por un centro de reparación autorizado.

1. Desatornille la carcasa de las clavijas de contacto (fig. **11** en la página 59 **3**) del enchufe (fig. **11** en la página 59 **1**).



2. Sustituya el fusible defectuoso (fig. 11 en la página 59 2) por otro nuevo del mismo tipo y valor (3AG, Fast Acting, 10 A).
3. Vuelva a montar la clavija procediendo en el orden inverso.

Sustitución del circuito impreso de luces



¡AVISO! Peligro de daños

Únicamente el fabricante, un técnico de mantenimiento autorizado o una persona con cualificación similar pueden cambiar el circuito impreso de luces con el fin de evitar peligros.

10 Limpieza y mantenimiento



¡ATENCIÓN! Riesgo de electrocución

Asegúrese de que el aparato de refrigeración está desconectado de la fuente de alimentación antes de realizar cualquier trabajo de limpieza o mantenimiento.



¡AVISO! Peligro de daños

- Nunca limpie el aparato bajo un chorro de agua corriente ni inmerso en agua jabonosa.
- No utilice limpiadores abrasivos ni objetos duros para limpiar el aparato.

- > Limpie de vez en cuando el interior y el exterior del aparato con un paño húmedo.
- > Asegúrese de que las ranuras de entrada y salida de aire de la nevera no contengan polvo y estén limpias para que el calor pueda salir y el aparato no se estropee.

11 Solución de problemas

Fallo	Posible causa	Propuesta de solución
La nevera no funciona. El LED de encendido no se enciende.	No hay tensión en la toma de CC.	> Encienda el contacto del vehículo.
	No hay tensión en la toma de CA.	> Utilice otro enchufe.
	El fusible de CA está averiado.	> Sustituya el fusible de CA; consulte Cambio del fusible de corriente alterna en la página 58.
	La fuente de alimentación integrada está averiada.	> Póngase en contacto con un técnico de mantenimiento autorizado.
El LED de encendido se ilumina en naranja, se muestra el código de error E 01 y la nevera no enfría a pesar de estar enchufada.	El controlador de la batería está ajustado demasiado alto.	<ol style="list-style-type: none"> 1. Ajuste el controlador de la batería a un modo más bajo (consulte Utilización del controlador de la batería en la página 55). 2. Compruebe la batería de arranque. 3. Si es necesario, cargue la batería de arranque. Siga las indicaciones del fabricante.
	El controlador de la batería está ajustado demasiado bajo.	<ol style="list-style-type: none"> 1. Ajuste el controlador de la batería a un modo más alto (consulte Utilización del controlador de la batería en la página 55). 2. Compruebe la batería de arranque. 3. Si es necesario, cargue la batería de arranque. Siga las indicaciones del fabricante.
Cuando la nevera se utiliza conectada a una toma de CC: El contacto está activado pero la nevera no funciona. El LED de encendido no se enciende.	El enchufe de CC no está conectado correctamente.	> Vuelva a conectar el enchufe de CC.
	La caja de enchufe de corriente continua está sucia. Esto provoca un mal contacto eléctrico.	> Limpie la toma de CC. Siga las indicaciones del fabricante.
	El fusible del enchufe de CC se ha fundido.	> Cambie el fusible del enchufe de CC; consulte el capítulo Sustitución del fusible de la clavija de corriente continua en la página 58.
	El fusible de CC de la nevera se ha fundido.	> Póngase en contacto con un técnico de mantenimiento autorizado.
	El fusible de la toma de CC del vehículo se ha fundido.	> Sustituya el fusible de la toma de CC del vehículo.

Fallo	Posible causa	Propuesta de solución
		Siga las indicaciones del fabricante.
La pantalla muestra un código de error y la nevera no enfría (consulte Códigos de error en la página 61).	La nevera se ha apagado debido a un fallo interno.	> Póngase en contacto con un técnico de mantenimiento autorizado.

Códigos de error



NOTA Si se muestran los códigos de error del **E 02** al **E 07**, póngase en contacto con un técnico de mantenimiento autorizado.

Código de error	Descripción
E 01	Baja tensión/sobretensión
E 02	Sobrecarga del ventilador
E 03	Fallo de arranque del compresor
E 04	Velocidad del compresor baja
E 05	Controlador sobrecalentado
E 06	Circuito abierto NTC
E 07	Cortocircuito NTC

12 Garantía

GARANTÍA LIMITADA DISPONIBLE EN DOMETIC.COM/WARRANTY.

SI TIENE PREGUNTAS O DESEA OBTENER UNA COPIA GRATUITA DE LA GARANTÍA LIMITADA, PÓNGASE EN CONTACTO CON EL DEPARTAMENTO DE GARANTÍAS DE DOMETIC:

DOMETIC CORPORATION

CUSTOMER SUPPORT CENTER

5155 VERDANT DRIVE

ELKHART, INDIANA 46516

1-800-544-4881 OPT 1

Todas las demás regiones

Para tramitar la reparación y la garantía, incluya los siguientes documentos cuando envíe el aparato:

- Una copia de la factura con fecha de compra
- El motivo de la reclamación o una descripción de la avería

Tenga en cuenta que una reparación por medios propios o no profesionales puede tener consecuencias de seguridad y suponer la anulación de la garantía.

13 Eliminación



¡ADVERTENCIA! Riesgo de atrapamiento infantil

Antes de deshacerse de su aparato de refrigeración viejo, desmonte la tapa. Deje las cestas colocadas en su sitio para impedir que los niños puedan introducirse en el aparato.



Si es posible, deseche el material de embalaje en los contenedores de reciclaje adecuados. Consultar con un punto limpio o con un distribuidor especializado para obtener más información sobre cómo eliminar el producto de acuerdo con las normativas aplicables de eliminación.



Reciclaje de productos con baterías normales, baterías recargables y fuentes de luz: Quite todas las pilas, baterías recargables y fuentes de luz antes de reciclar el producto. Entregue las baterías defectuosas o usadas en un establecimiento especializado o déselas en un punto de recogida de residuos. No deseche ninguna pila, batería recargable ni fuente de luz con la basura doméstica. Cuando vaya a desechar definitivamente el producto, infórmese en el centro de reciclaje más cercano o en un comercio especializado sobre las normas pertinentes de gestión de residuos. El producto podrá desecharse gratuitamente.

14 Datos técnicos



NOTA Si la temperatura ambiente es superior a 32 °C (89,6 °F), no es posible alcanzar la temperatura mínima.

Este producto contiene gases fluorados de efecto invernadero.

La unidad de refrigeración está sellada herméticamente.

	CFX2 28	CFX2 37	CFX2 45	CFX2 57
Entrada nominal	50 ... 60 Hz 100 ... 240 V~			
Corriente nominal	12 V: 8,6 A 24 V: 3,8 A 100 V: 1,6 A 240 V: 0,77 A	12 V: 8,7 A 24 V: 3,85 A 100 V: 1,63 A 240 V: 0,78 A	12 V: 8,8 A 24 V: 3,9 A 100 V: 1,65 A 240 V: 0,79 A	12 V: 9 A 24 V: 4 A 100 V: 1,7 A 240 V: 0,8 A
Potencia de refrigeración	-22 °C (-7,6 °F) ... 20 °C (68 °F)			
Temperatura ambiente	16 °C (60,8 °F) ... 43 °C (109,4 °F)			
Clase climática	N o T			
USB	5 V 2 A			
Refrigerante	R1234yf			
cantidad existente de refrigerante	28 g (1,0 oz)	37 g (1,3 oz)	45 g (1,6 oz)	57 g (2,0 oz)

	CFX2 28	CFX2 37	CFX2 45	CFX2 57
Dimensiones (A x H x P; asas incluidas)	345 mm (13,58 in) × 427 mm (16,81 in) × 375 mm (14,76 in)	401 mm (15,79 in) × 428 mm (16,85 in) × 430 mm (16,93 in)	401 mm (15,79 in) × 493 mm (19,41 in) × 430 mm (16,93 in)	458 mm (18,03 in) × 503 mm (19,80 in) × 485 mm (19,09 in)
Volumen ("Volume")	28 L (7,40 gal)	37 L (9,78 gal)	45 L (11,89 gal)	57 L (15,06 gal)
Peso	13,3 kg (29,3 lb)	15,6 kg (34,4 lb)	16,6 kg (36,6 lb)	18,3 kg (40,4 lb)



dometic.com

YOUR LOCAL DEALER

dometic.com/dealer

YOUR LOCAL SUPPORT

dometic.com/contact

YOUR LOCAL SALES OFFICE

dometic.com/sales-offices
